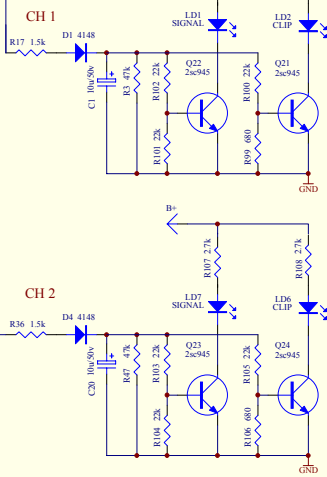


SPEAKER OUTPUT



Title		
SLA-1 SCHEMATIC DIAGRAM		
Size	Number	Revision
C		
Date:	22-Aug-2001	Sheet of
File:	C:\CLIENT\MT1000\SCH	Drawn By: