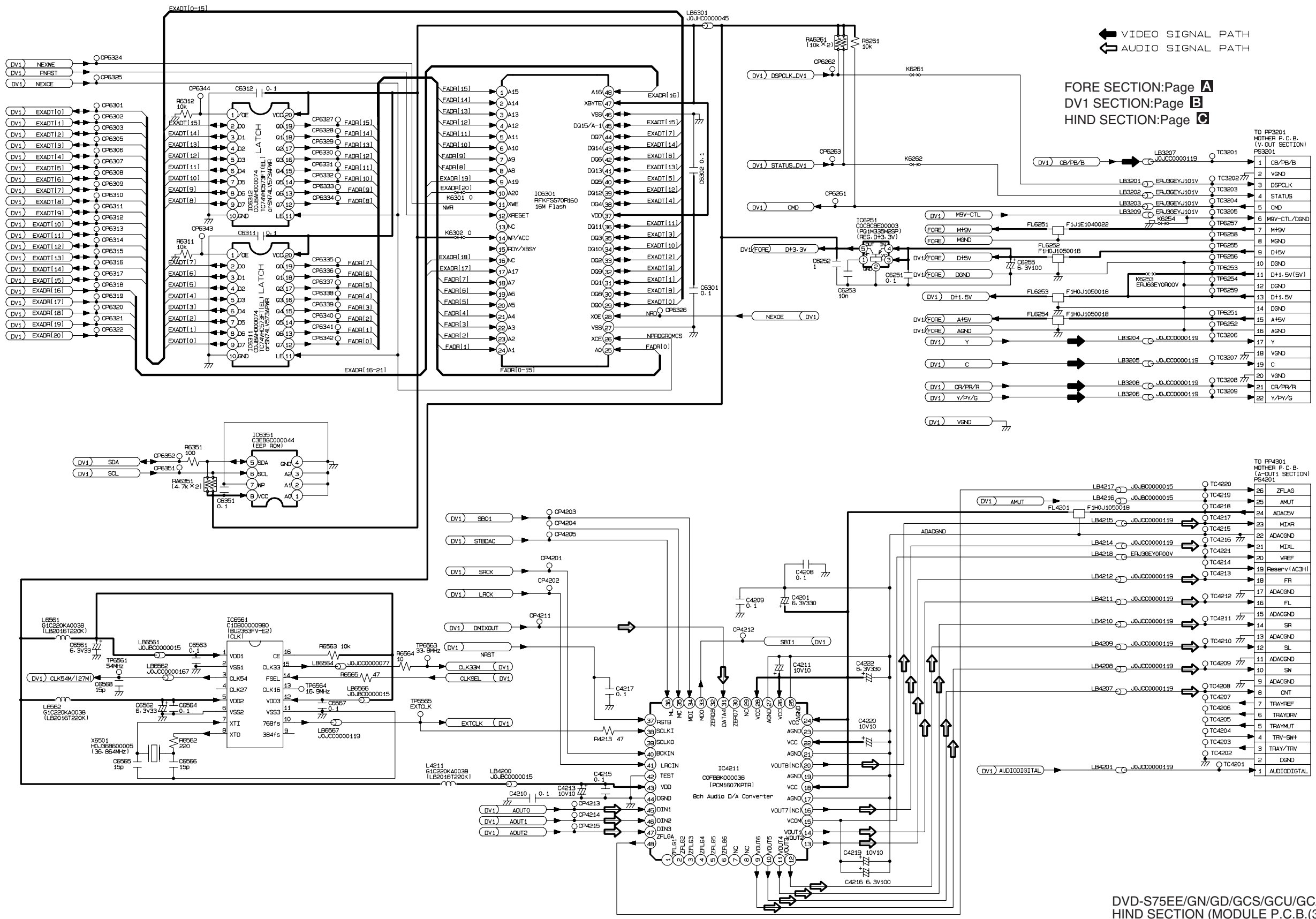


VIDEO SIGNAL PATH
AUDIO SIGNAL PATH

FORE SECTION:Page A
DV1 SECTION:Page B
HIND SECTION:Page C



DVD-S75EE/GN/GD/GCS/GCU/GCA
HIND SECTION (MODULE P.C.B.(3/3))
SCHEMATIC DIAGRAM

H
G
F
E
D
C
B
A

1 2 3 4 5 6 7 8 9 10 11 12