
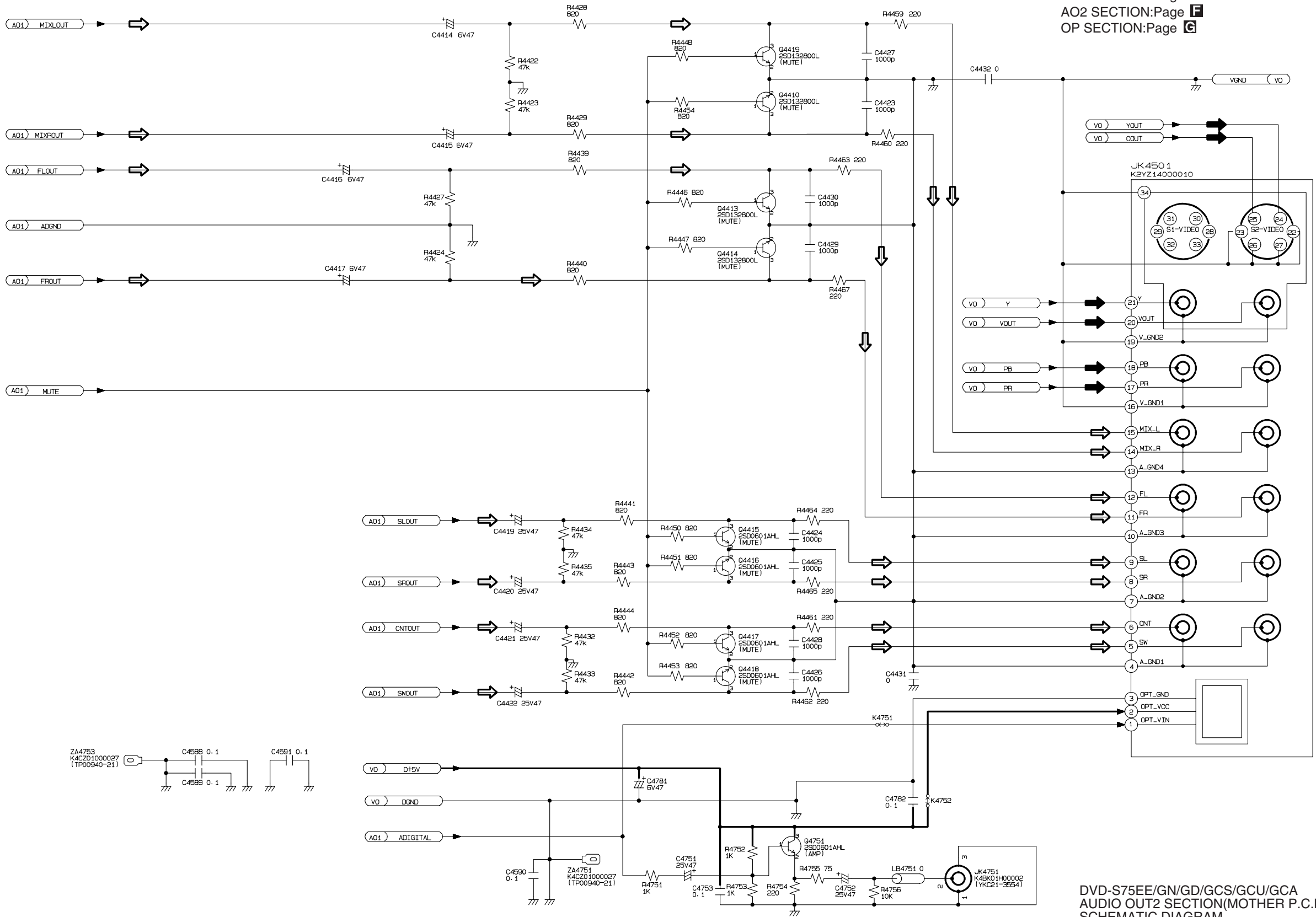
 VIDEO SIGNAL PATH
 AUDIO SIGNAL PATH

VO SECTION:Page **D**
 AO1 SECTION:Page **E**
 AO2 SECTION:Page **F**
 OP SECTION:Page **G**

F



DVD-S75EE/GN/GD/GCS/GCU/GCA
 AUDIO OUT2 SECTION(MOTHER P.C.B.(3/4))
 SCHEMATIC DIAGRAM