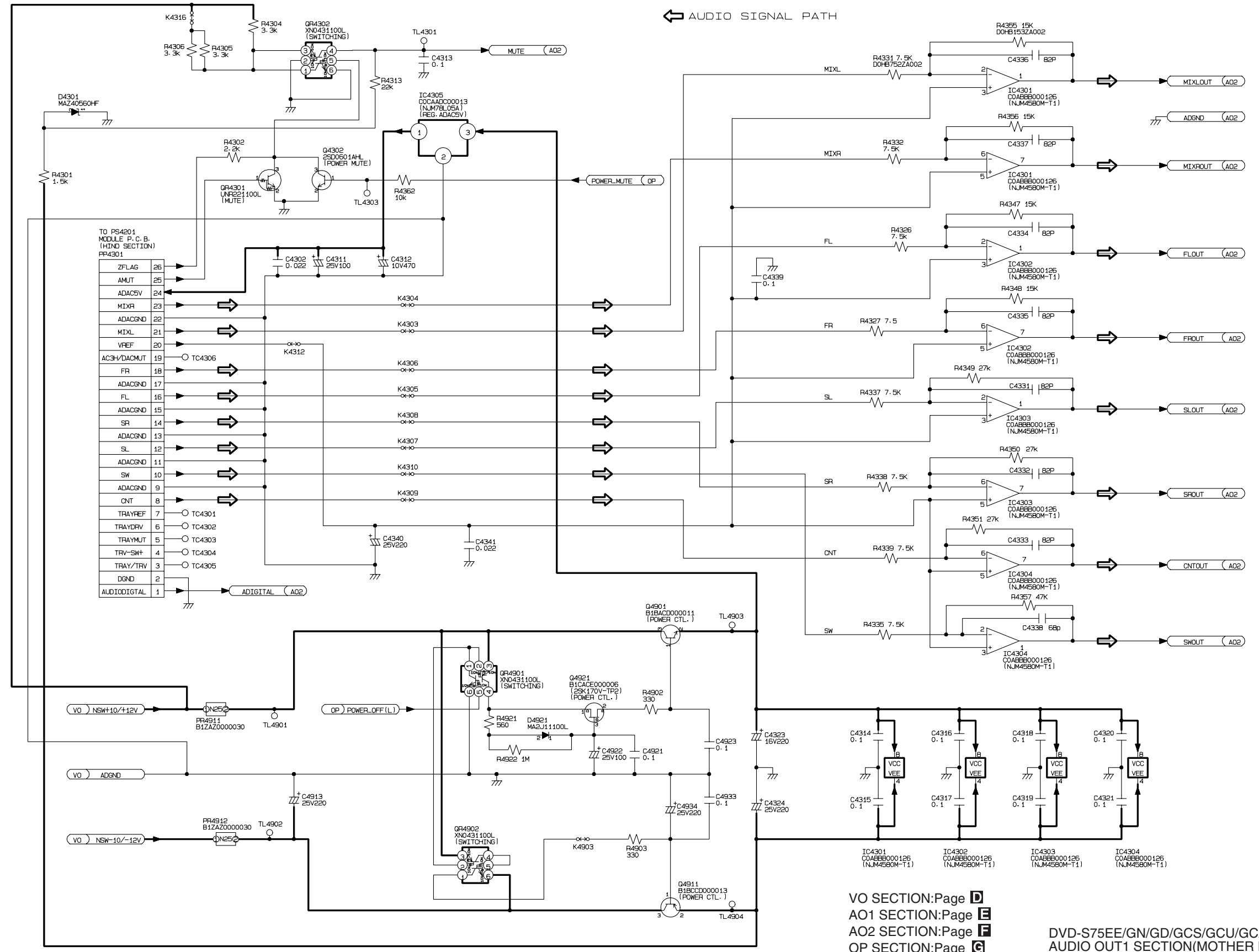


G
F
E
D
C
B
A

← AUDIO SIGNAL PATH

E



VO SECTION:Page D
AO1 SECTION:Page E
AO2 SECTION:Page F
OP SECTION:Page G

DVD-S75EE/GN/GD/GCS/GCU/GCA
AUDIO OUT1 SECTION(MOTHER P.C.B.(2/4))
SCHEMATIC DIAGRAM

1 2 3 4 5 6 7 8 9 10 11