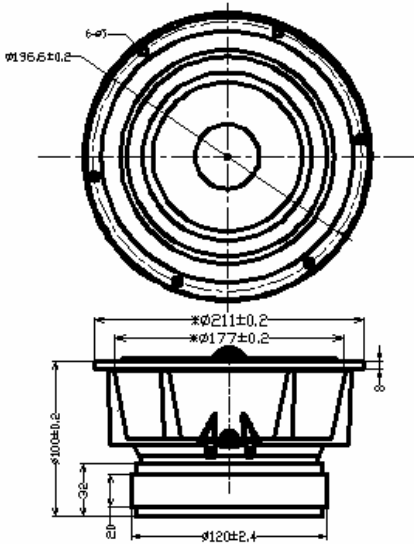


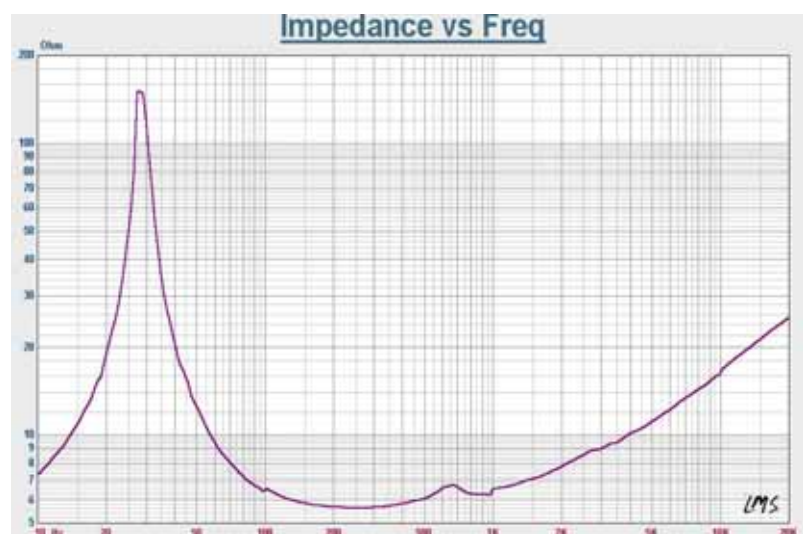
Woofer

Model :FR211B6-11M



Specifications & Thiele/Small Parameters

Impedance	: 6 Ohm	
Minimum Frequency Response	: 28Hz	
Reproduction Frequency Response	: Fo~6K	
S.P.L.	: 89.681 dB/W(m)	
Rated Input	: 30 W	
Music Power	: 40 W	
Equivalent Diaphragm Radius	: 82mm	
Equivalent Mass	: 17.720g	
Magnet Weight	: 80g	
Net Weight	: 2500g	
Fs	: 28.850 Hz	
Re	: 5.0 Ohm	
Mms	: 19.445g	
BL	: 6.788 TM	
Qts	: 0.368	
Qms	: 10.011	
Qes	: 0.382	
Vas	: 96.154 Ltr	
Xmax	: 4.5mm	
no	: 0.584%	
Material	Frame	: AL
	Cone	: Wooden
	Surround	: Rubber
	Damper	: Conex+Cotton (4Hole)
	VC DIA	: 38 KAP 0.24 SV
	Magnet	: 120x 60x20 Y30
	Short Ring	: Cu Ring
Center Cap	: AL Phase Plug (Gold)	



GUIDE-SOUND INDUSTRIES CO.,LTD

E-Mail: Tsaichunchang@yahoo.com.tw

Welcome Inquiry&Orders For OEM&ODM