

- NOTES: Unless otherwise indicated.
1. All resistors $\frac{1}{2}$ Metal Film $\frac{1}{4}$ or $\frac{1}{2}$ Watt.
 2. All capacitors shown as MFD/Voltage.

FILE COPY
NOT FOR RELEASE

COUNTERPOINT

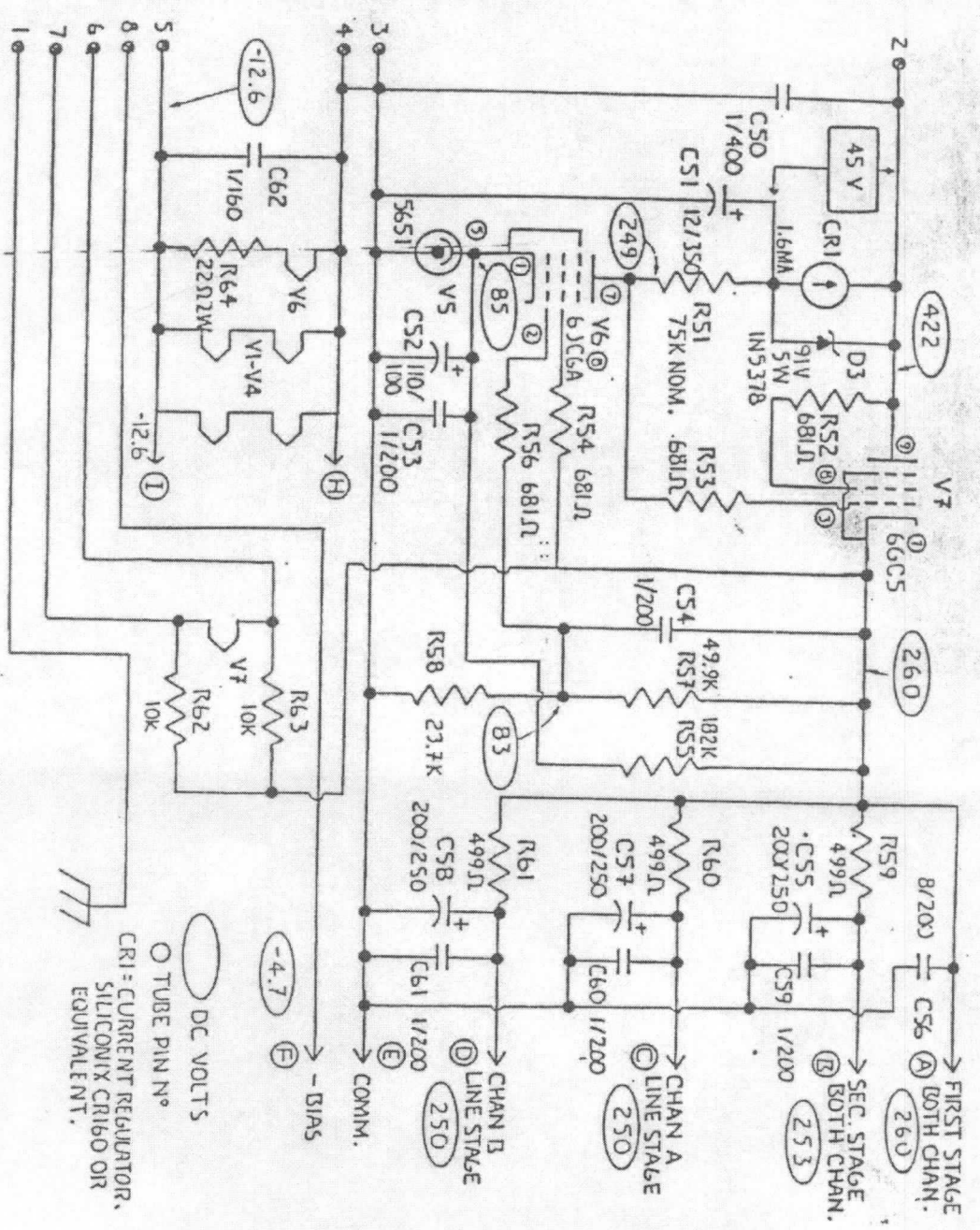
SA-5

SIGNAL ROUTING AND LINE STAGE

ITEM	QTY	UNIT	REMARKS
RESISTOR			
CAPACITOR			
TUBE			
WASHER			
SCREW			
SPRING			
OTHER			

NEXT ASSY: _____
 UNIT NO: _____
 THIS DRAWING IS THE PROPERTY OF THE UNITED STATES GOVERNMENT AND IS LOANED TO YOU BY THE NATIONAL BUREAU OF STANDARDS. IT IS TO BE USED ONLY FOR THE PURPOSES SPECIFIED IN THE DRAWING. IT IS NOT TO BE REPRODUCED OR TRANSMITTED IN ANY FORM OR BY ANY MEANS, ELECTRONIC OR MECHANICAL, INCLUDING PHOTOCOPYING, RECORDING, OR BY ANY INFORMATION STORAGE AND RETRIEVAL SYSTEM.

DRAWING NUMBER: 7005-41S
 SCALE: C
 SHEET 3 OF 3



NOTES: Unless otherwise indicated,
 1. All resistors 1% Metal Film 1/4 or 1/2 Watt.
 2. All capacitors shown as Mfd/Voltage.

FILE COPY
 NOT FOR RELEASE

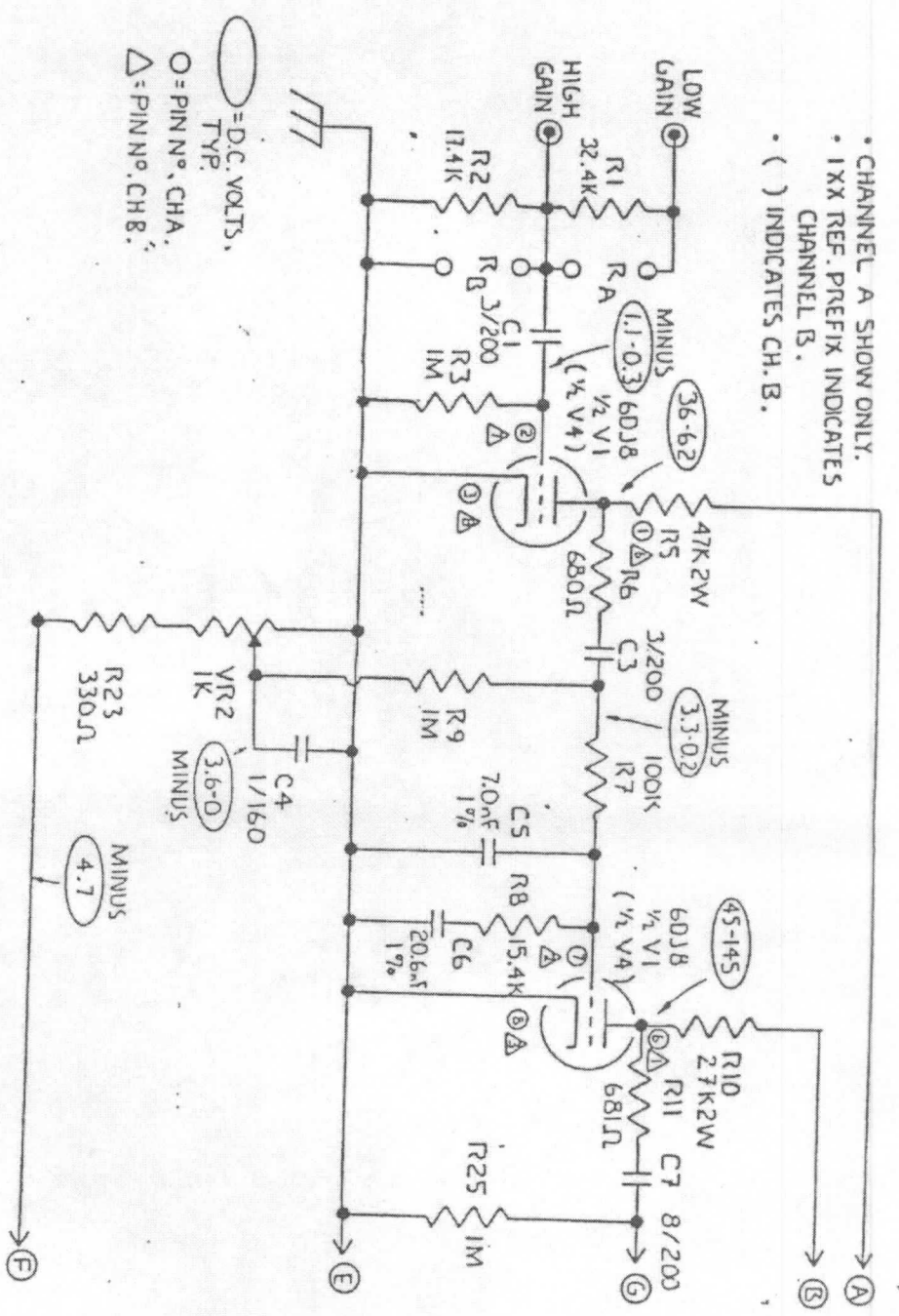
NAME	SA-5
CONTROL	
PHYSICAL	
SYMBOL	
DATE	
DESIGNED BY	
CHECKED BY	
APPROVED BY	
DATE	
SIZE	C
DRAWING NUMBER	
7005-2S	
REV	

COUNTERPOINT

SA-5

VOLTAGE REGULATORS AND ROUTING

- CHANNEL A SHOW ONLY.
- 1XX REF. PREFIX INDICATES CHANNEL B.
- () INDICATES CH. B.



○ = D.C. VOLTS, TYP.
 O = PIN N^o. CHA.
 Δ = PIN N^o. CH B.

- NOTES:** Unless otherwise indicated.
1. All resistors 1/8 Metal Film 1/4 or 1/2 Watt.
 2. All capacitors shown as Mfd/Voltage.

FILE COPY
 NOT FOR RELEASE

FORM NO. 617	REV. 1	DATE	BY
1. TITLE	2. PART	3. QUANTITY	4. UNIT
5. DRAWING NUMBER	6. DRAWING NUMBER	7. DRAWING NUMBER	8. DRAWING NUMBER
COUNTERPOINT		SA-5	
RIAA STAGE		DRAWING NUMBER	
REV		REV	

SERIAL # _____

DUCT SA-5.1, MAIN PCB PRODUCTION INVENTORY LIST *Continued*

QUANTITY RUN _____

DESIGNATION	DESCRIPTION	QTY/PER	QTY/REQ'D	COMPLETE	E
C7,10,107,110	C.47/210 (pull only for ORIENT)	4			
BYPASS	C.47/210	14			
C53,54	C1/210V	2			
C3,4,9,102, 104,109	C1/160 (MCP-10)	6			
C1,3,7,101, 103,107	C3/210	6			
C8,10,56, 103,110	C8/210	5			
C51	C10/400 (39D)	1			
C52	C110/100 (39D)	1			
C55,57,58	C200/250 (39D)	3			
C301	C1000/25 RL	1			
SW1	SW-LORLIN-1	1			
SW2,3,4,6	SW-SPDT-RA	43			
SW5	SW-SPDT-RA	1			
SW6	SW-SPDT-RA-SH	1			
2 VR2,3,102,103	VR1KPT10V	4			
3 VP1	VOLPOT (K272)	1			
54 BP2	BALANCE POT 1 Potentiometer	2			
55 TM1	TMTOWER (CONCORD 10-331-2-04)	27			
56 MJ	MICROJACK (CONCORD 099024-1-04)	8			

SERIAL # _____

PRODUCTION INVENTORY LIST

DUCT SA-5 AB MAIN PCB

QUANTITY RUN _____

#	DESIGNATION	DESCRIPTION	QTY/PER	QTY/REQ'D	COMPLETE	RE
	R6,11,30,52,53, 54,56,106,111,130	R681R	.6	10		
	R17,117 Rb package =2	R100K DNO	.6	4		
	R8,108	R15.4K DNO	.6	2		
	R5,105	R47K MO2W		2		
	R10,110	R27K MO2W		2		
	R13,19,118,119	R49.9R	.6	4		
	R58	R23.7K	.6	1		
	R57	R100K + R86.6K R47K MO2W	.6	1		
	R59,60,61	R499R	.6	3		
0	R1,101	R32.4K	.6	2		
1	Rb, Rb	R17.4K DNO	.6	2		
2	R3,9,21,25, 103,109,121,125	R1.00M	.6	8		
3	R4,22,104,122	R3.32K	.6	4		
4	R20,120	R10.0K WW SW		2		
15	R12,13,14,15 112,113,114,115	R127R MK2 (ONLY)	.4	8		
16	R16,116	R75K	.6	2		
17	R206	R1.00K	.5	1		
18	R207	R10.0K	.5	1		
19	R205,208	R475R	.5	2		

SERIAL # _____

DUCT SA-5.1, MAIN PCB PRODUCTION INVENTORY LIST
CONTINUED

QUANTITY RUN _____

#	DESIGNATION	DESCRIPTION	QTY/PER	QTY/REQ'D	COMPLETE
	R301	R475R .6	1		
	R55	R182K .6	1		
	R23,123	R332R .6	2		
	7204	R47.5K .5	1		
	Rb package	R47.5K	2		
	R140	R1.00K .6	1		
	R40,140	R301K .6	2		
5.5	R7,107	R121K .6	2		
7	D2	1N914 .5	1		
3	D3	1N5377B	1		
9	D301	1N5404	1		
0	CR1	1N5303	1		
1	Q1,2,3	PN2222	3		
12	JIMPER	RO	9		
33	L.E.D.	LED2COLOR	1		
34		C3PF 0M	4		
35		C10PF 0M	2		
36	C6,106	C.0206/630	2		
37	C5,105	C7000PF	2		