

KEY FEATURES

- 4" full-range compact ferrite loudspeaker
- 80 W program power
- Extended response and low distortion
- Paper cone and Santoprene™ surround
- Pressed steel basket
- Ceramic magnet
- Ideal for beam-steering application (columns), portable array and compact applications

TECHNICAL SPECIFICATIONS

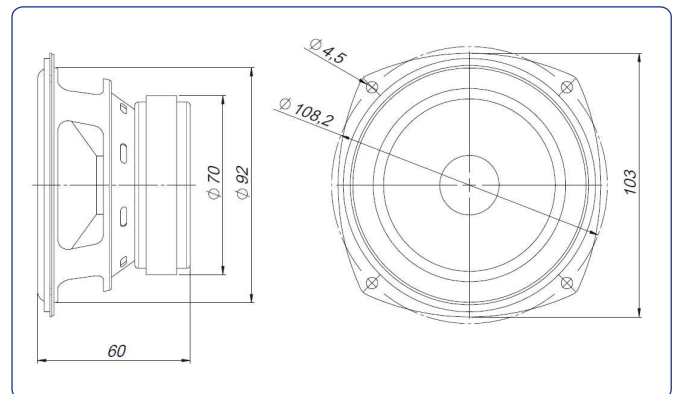
Nominal diameter	100 mm	4 in
Rated impedance		8 Ω
Minimum impedance		7,3 Ω
Power capacity*	40 W _{AES}	
Program power		80 W
Sensitivity	87 dB	1W / 1m @ Z _N
Frequency range		100 - 20.000 Hz
Voice coil diameter	20,3 mm	0,8 in
BI factor		4,2 N/A
Moving mass		0,0044 kg
Voice coil length		7,7 mm
Air gap height		5 mm

THIELE-SMALL PARAMETERS**

Resonant frequency, f_s	92 Hz
D.C. Voice coil resistance, R_e	6,4 Ω
Mechanical Quality Factor, Q_{ms}	11,3
Electrical Quality Factor, Q_{es}	0,96
Total Quality Factor, Q_{ts}	0,88
Equivalent Air Volume to C_{ms} , V_{as}	2,8 l
Mechanical Compliance, C_{ms}	668 μm / N
Mechanical Resistance, R_{ms}	0,23 kg / s
Efficiency, η_0	0,22 %
Effective Surface Area, S_d	0,0055 m ²
Maximum Displacement, X_{max} ***	3 mm
Displacement Volume, V_d	11 cm ³
Voice Coil Inductance, L_e @ 1 kHz	0,2 mH



DIMENSION DRAWINGS



MOUNTING INFORMATION

Overall diameter	118,2 mm	4,65 in
Bolt circle diameter	108,2 mm	4,26 in
Baffle cutout diameter:		
- Front mount	92 mm	3,62 in
Depth	60 mm	2,36 in
Net weight	0,55 kg	1,21 lb
Shipping weight	0,75 kg	1,65 lb

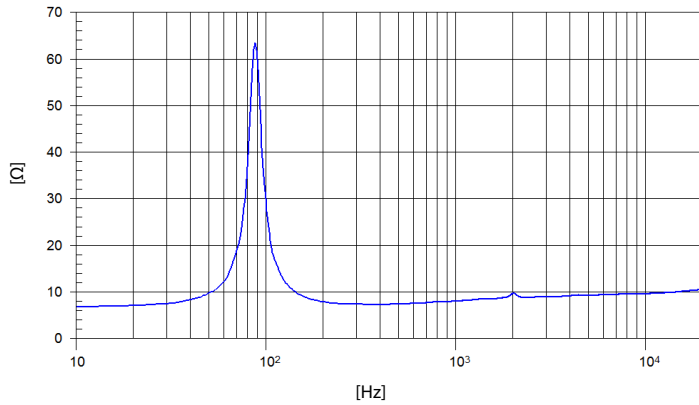
Notes:

* The power capacity is determined according to AES2-1984 (r2003) standard. Program power is defined as the transducer's ability to handle normal music program material.

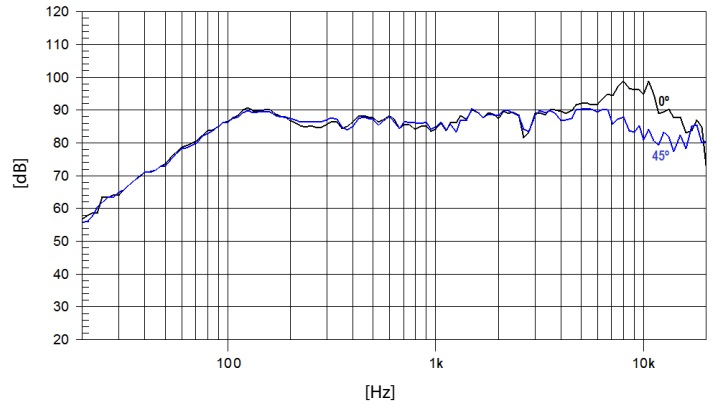
** T-S parameters are measured after an exercise period using a preconditioning power test. The measurements are carried out with a velocity-current laser transducer and will reflect the long term parameters (once the loudspeaker has been working for a short period of time).

*** The X_{max} is calculated as $(L_{vc} - H_{ag})/2 + (H_{ag}/3,5)$, where L_{vc} is the voice coil length and H_{ag} is the air gap height.

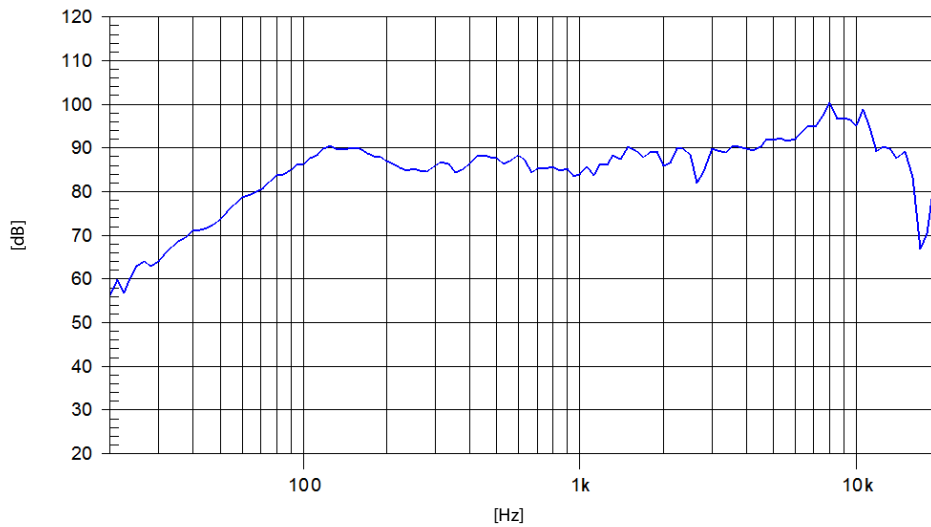
FREE AIR IMPEDANCE CURVE



OFF-AXIS FREQUENCY RESPONSE



FREQUENCY RESPONSE CURVE



Note: On axis frequency response measured with loudspeaker standing on infinite baffle in anechoic chamber, 1W @ 1m