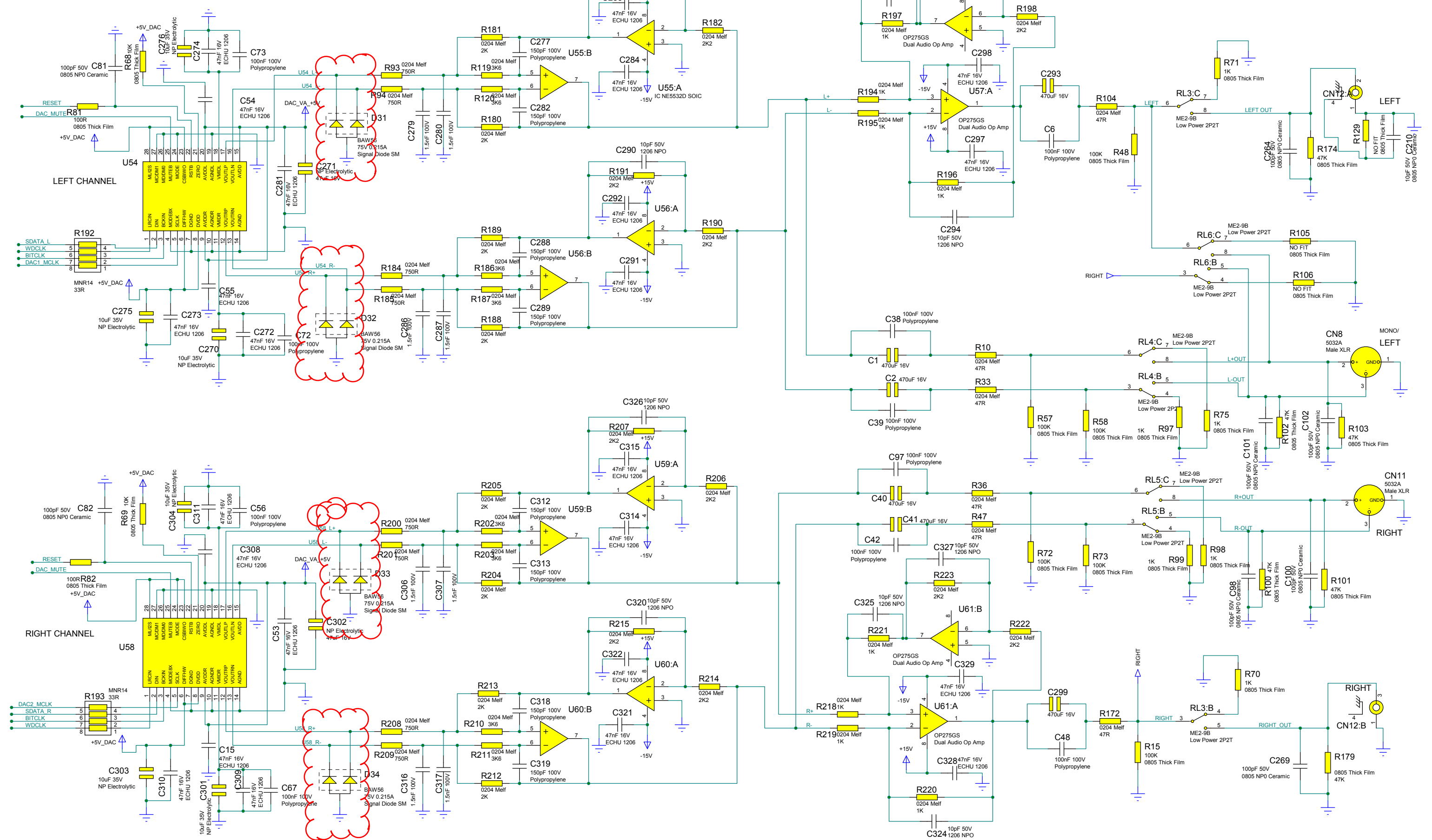


MODE	Left DAC	Right DAC
Stereo	Left	Right
Left MONO	Left	Left Invert
Right MONO	Right	Right Invert



© COPYRIGHT
The Audio Partnership
 Gallery Court
 Hankney Place
 LONDON SE1 4BB
 Tel : +44 (0)171 940 2200
 Fax : +44 (0)171 940 2233

- GENERAL NOTES
- 1.
 - 2.
 - 3.
 - 4.
 - 5.

DRAWING TITLE DACMAGIC	DRAWN BY AZMAN
SHEET TITLE WM8740 & ANALOGUE STAGE	DATE 19/08/08
DRAWING No. AP228683	PAGE 4/6
CHECKED BY	