

Service Manual



EUROLIVE B1800D-PRO

High-Performance Active 1400-Watt 18" PA Subwoofer
With Built-In Stereo Crossover

Specifications	2
PCB Schematic	3
Parts List	6
Exploded Drawing	20

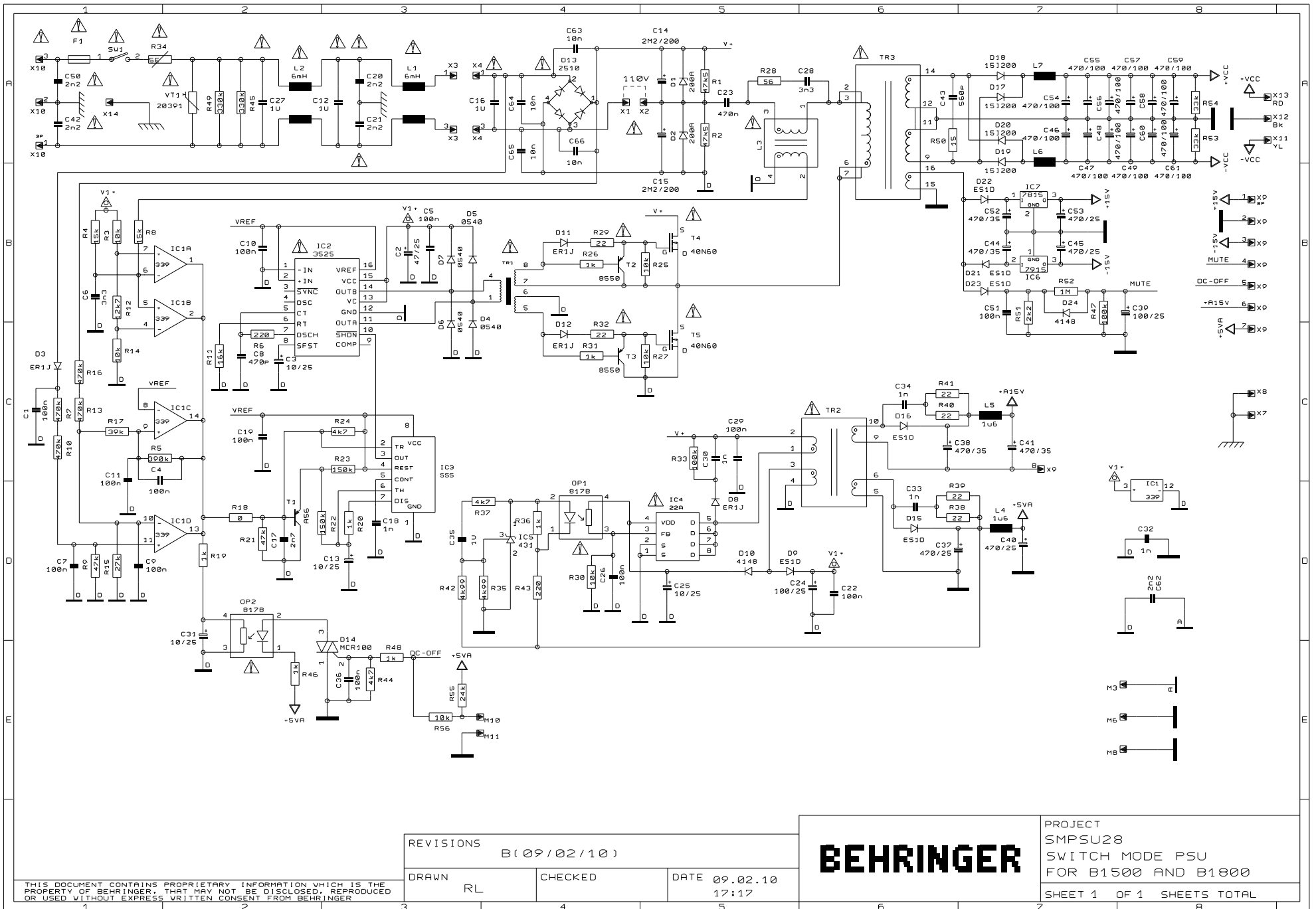
behringer.com



EUROLIVE B1800D-PRO

Specifications

- High-performance 1400-Watt powered subwoofer for PA applications
- Powerful 18" long-excursion transducer with high temperature voice coil provides incredibly accurate and pulse-pounding bass
- Extremely high sound pressure level (127 dB half space 1 W @ 1 m)
- Precise reproduction of ultra-low frequencies (35 – 150 Hz) for "bulletproof" punch and impact
- State-of-the-art 1400-Watt Class-D amplifier with comprehensive over-excursion, thermal and clip limit protection
- Built-in active stereo crossover provides high-pass filtered outputs for full-range loudspeakers
- Tunable and switchable Bass Boost plus Phase switch for ultimate low-frequency performance
- Variable High Cut control for perfect sound alignment
- Subwoofer Level control to adjust the balance between subwoofer and the full-range speakers
- Power, Signal and Clip LEDs for perfect monitoring
- Intelligent limiter for maximum sound performance and woofer protection
- Internal switch-mode power supply for noise-free audio, superior transient response and very low power consumption
- Pole socket for mounting with commercial spacer poles
- Ergonomically shaped handles for easy transport
- Rugged steel grill for optimal speaker protection
- High-quality components and exceptionally rugged construction ensure long life
- Conceived and designed by BEHRINGER Germany



REVISIONS		
B(09/02/10)		

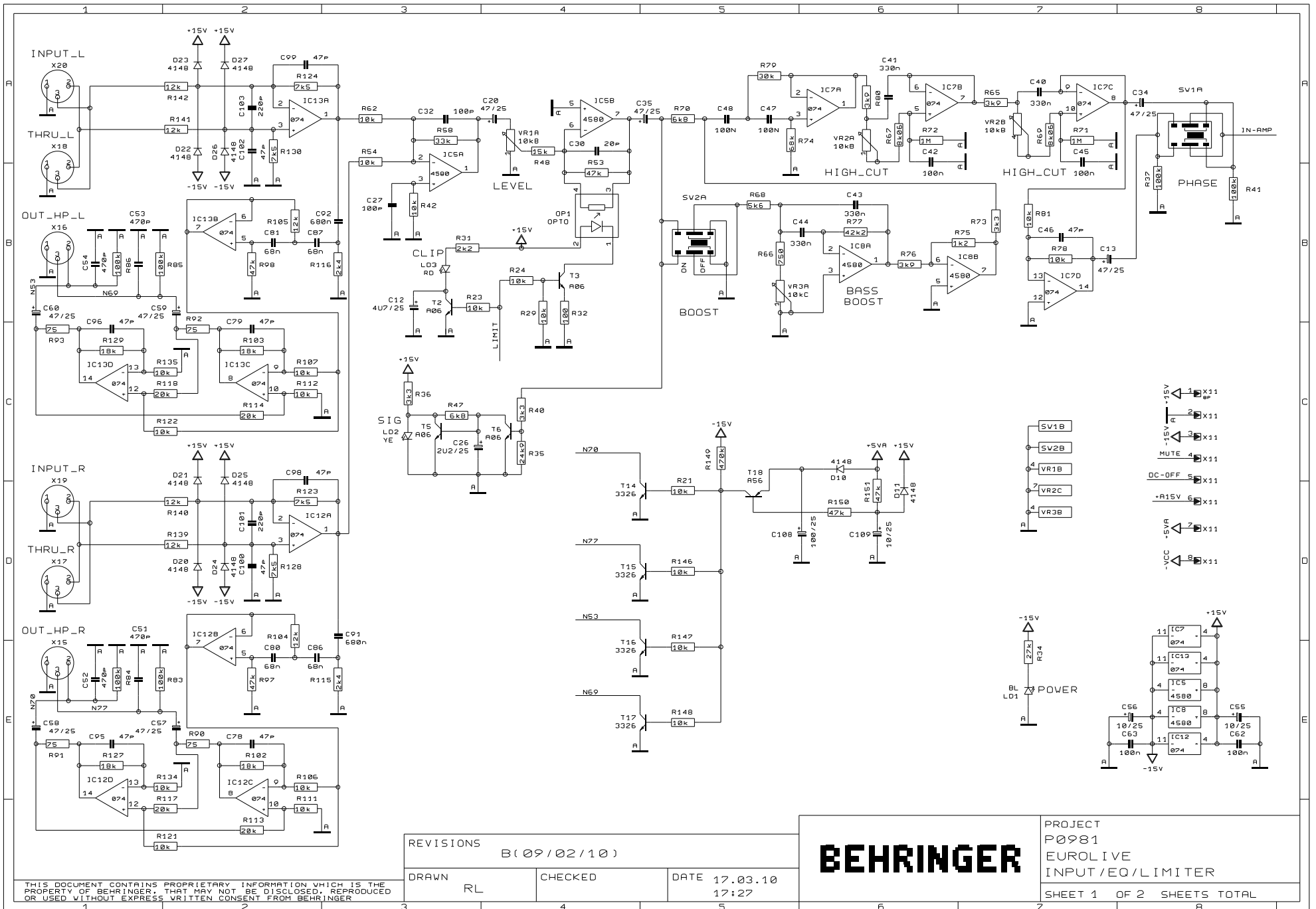
DRAWN	CHECKED	DATE
RL		09.02.10
		17:17

BEHRINGER

PROJECT
SMPSU28
SWITCH MODE PSU
FOR B1500 AND B1800

SHEET 1 OF 1 SHEETS TOTAL

THIS DOCUMENT CONTAINS PROPRIETARY INFORMATION WHICH IS THE PROPERTY OF BEHRINGER. THAT MAY NOT BE DISCLOSED, REPRODUCED OR USED WITHOUT EXPRESS WRITTEN CONSENT FROM BEHRINGER



REVISIONS B(09/02/10)

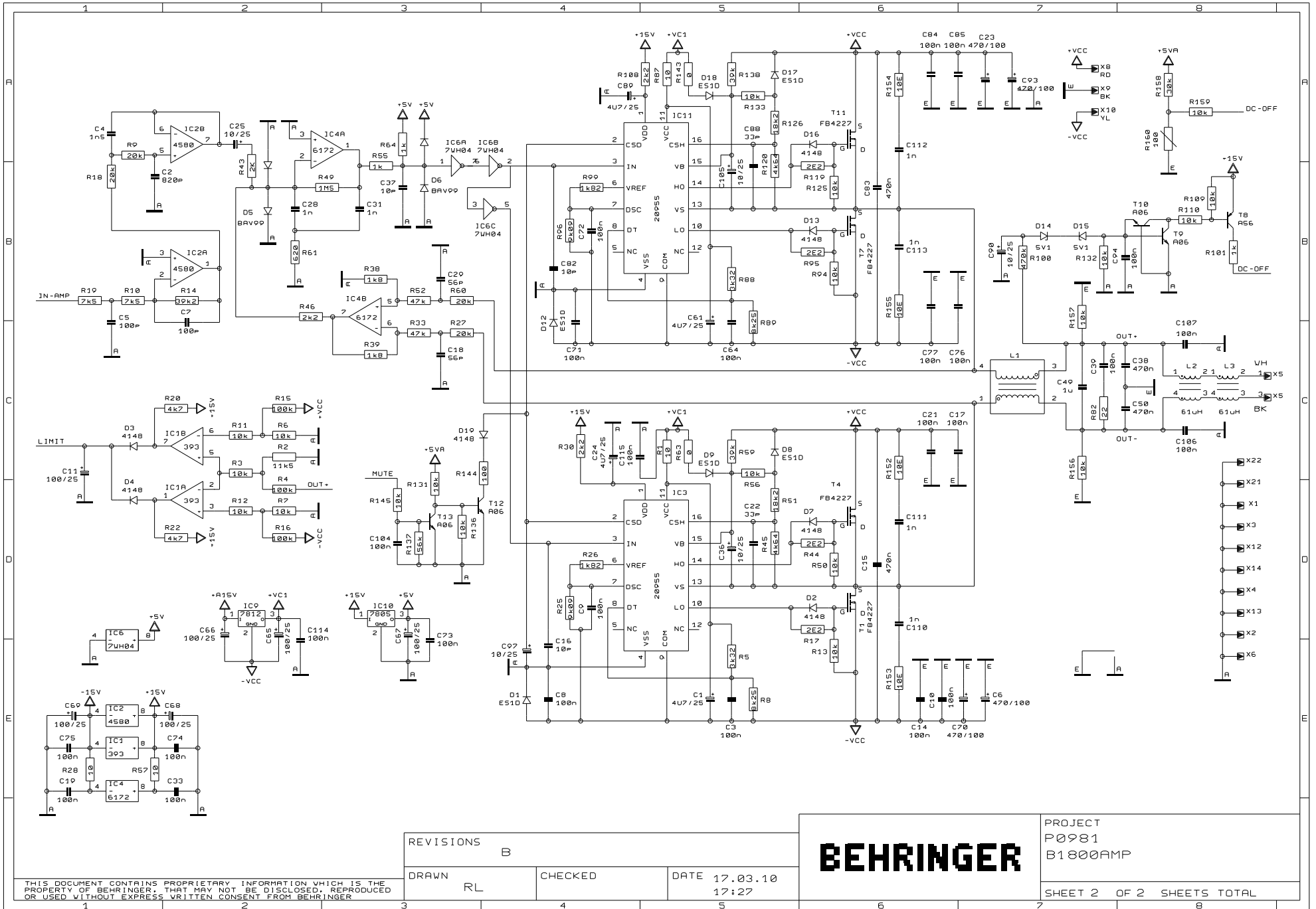
DRAWN RL CHECKED DATE 17.03.10 17:27

BEHRINGER

PROJECT P0981
EUROLIVE
INPUT/EQ/LIMITER

SHEET 1 OF 2 SHEETS TOTAL

THIS DOCUMENT CONTAINS PROPRIETARY INFORMATION WHICH IS THE PROPERTY OF BEHRINGER. THAT MAY NOT BE DISCLOSED, REPRODUCED OR USED WITHOUT EXPRESS WRITTEN CONSENT FROM BEHRINGER.



REVISIONS	B
-----------	---

DRAWN	RL	CHECKED	DATE	17.03.10
				17:27

BEHRINGER

PROJECT
P0981
B1800AMP

THIS DOCUMENT CONTAINS PROPRIETARY INFORMATION WHICH IS THE PROPERTY OF BEHRINGER. THAT MAY NOT BE DISCLOSED, REPRODUCED OR USED WITHOUT EXPRESS WRITTEN CONSENT FROM BEHRINGER.

SHEET 2 OF 2 SHEETS TOTAL

Pcbs

	Quantity	Item	Rev	Description	Reference Designators	Notes
1	1.0000	G40-00000-34934		PCB;2 LAYER;P0981;1;B;009021;PCB AUTO INSERT;ROHS	[P0981:00: {1.0}]	
2	1.0000	G40-00000-39977		PCB;2 LAYER;P0000;1;B;005081;PCB AUTO INSERT;SMPSU28;ROHS	[00001: {1.0}]	
3	1.0000	G40-00000-39978		PCB;2 LAYER;P0000;2;B;006081;PCB AUTO INSERT;SMPSU28;ROHS	[00002: {1.0}(P2)]	(EU, UL, JP, UK, SAA, CCC, BR, AR)
4	1.0000	G40-00000-39978		PCB;2 LAYER;P0000;2;B;006081;PCB AUTO INSERT;SMPSU28;ROHS	[00002: {1.0}()]	

Cable

	Quantity	Item	Rev	Description	Reference Designators	Notes
1	1.0000	A77-03020-20208		CABLE;STRANDWIRE;LENGTH:30mm;AWG:18;UL1015;STRIP-TIN/LUG 4mm3;COLOR:YEL/GRN;ROHS	[00001: {1.0}()]	
2	1.0000	A77-12035-13901		CABLE;STRANDWIRE;LENGTH:120mm;AWG:16;UL1672;S/T LENGTH:5mm;AMP CON 6mm3 ISO;COLOR:BLACK;ROHS	[P0981:00: {1.0}()]	
3	1.0000	A77-12035-13903		CABLE;STRANDWIRE;LENGTH:120mm;AWG:16;UL1672;S/T LENGTH:5mm;AMP CON 6mm3 ISO;COLOR:YELLOW;ROHS	[P0981:00: {1.0}()]	
4	1.0000	A77-12035-13905		CABLE;STRANDWIRE;LENGTH:120mm;AWG:16;UL1672;S/T LENGTH:5mm;AMP CON 6mm3 ISO;COLOR:RED;ROHS	[P0981:00: {1.0}()]	
5	1.0000	A81-00000-05104		WIRE HARNESS;AWG:16;UL1015;6.2 MM;2;550 MM;PIN1 RED;X-TC2021-02;S/T:10mm;ROHS		
6	1.0000	A81-00000-09987		WIRE HARNESS;AWG:16;UL1015;6.2 MM;2;200 MM;BLACK/RED;X-TC2022-02, S/T:5mm;ROHS	[P0981:00: {1.0}()]	CUTOFF: IDENTIFIED FROM X-JS4008-03/0200/X*
7	1.0000	A81-07070-32845		WIRE HARNESS;LENGTH:70mm;AWG:18;P:3mm96;UL1672;HOUSING - BOARD IN CONNECTOR;POLES:3;NO MIDDLE PIN;COLOR:RED/BLK;ROHS	[00002: {1.0}()]	CUTOFF: 2POSSIBLE CHOICES
8	1.0000	A81-18030-86002		WIRE HARNESS;LENGTH:180mm;AWG:26;P:2mm0;HOUSING-BOARD IN CONNECTOR;POLES:8;PIN1 RED/OTHERS BLK;ROHS	[P0981:00: {1.0}()]	CUTOFF: IDENTIFIED FROM X-P1018-08/0180/*
9	1.0000	A76-15062-45714		CABLE;AC-CORD;W/POLYBAG;LENGTH:150cm;POLES:3;APPROVAL: CCC;HC103 + 227 IEC 53 (RVV) 3x0.75mm2 + HE109B;ROHS		(CCC)
10	1.0000	A76-18050-47490		CABLE;AC-CORD;LENGTH:180cm;VERSION:SAA;PLUG:HE105 ISOLATED;SAA H05VV-F 3x0.75mm2;CONN.HP-3;SPEC.NO:47490;ROHS		(SAA)
11	1.0000	A76-00000-13573		CABLE;AC-CORD;3;AR;1500 MM;Plug + Connector:321+730;H05VV-F 3G0.75;ROHS		(AR)
12	1.0000	A76-15212-03119		CABLE;AC-CORD;W/POLYBAG;LENGTH:152cm;H05VV-F 3G 0.75MM2;VERSION;EU;SPEC.NO:03119;ROHS		(EU)
13	1.0000	A76-15042-05624		CABLE;AC-CORD;W/POLYBAG;LENGTH:150cm;H05VV-F3G0.75MM2;VERSION;UK;SPEC.NO:05624;ROHS		(UK)
14	1.0000	A76-00000-05305		CABLE;AC-CORD;3;BR;1500 MM;Plug + Connector:375+730;H05VV-F 3G0.75;ROHS		(BR)
15	1.0000	A76-15222-06417		CABLE;AC-CORD;W/POLYBAG;LENGTH:152cm;AWG:18;VERSION;UL;SPEC.NO:06417;ROHS		(UL)
16	1.0000	A76-15032-55649		CABLE;AC-CORD;CLASS II;W/POLYBAG;JAPAN;LENGTH:150cm;POLES:3;APPROV		(JP)

	Quantity	Item	Rev	Description	Reference Designators	Notes
				AL:PSE;JS15S3 + VCTF 3x0.75mm2 + V1528;ROHS		

Circuit Protector

	Quantity	Item	Rev	Description	Reference Designators	Notes
1	1.0000	B22-01516-30001		FUSE;6A3;250V;SLOW BLOW;H-TYPE;5mm x 20mm;ROHS		(EU, UK, SAA, CCC, AR)
2	1.0000	B22-01514-12001		FUSE;12A;250V;SLOW BLOW;H-TYPE;5mm x 20mm;ROHS		(UL, JP, BR)

Coil

	Quantity	Item	Rev	Description	Reference Designators	Notes
1	1.0000	B37-00000-03206		COIL;CHOKE;25 uH;27 OHMS;13 MM;R17-19-000456(SUPERWORLD);ROHS	[P0981:00: {1.0}{}]	
2	2.0000	B37-01603-04435		COIL;CHOKE;1 uH6;UL TUBE:5 x 16m;WIRE DIA:2UEW0mm6;9.5TURNS;ROHS	[00002: {2.0}{}]	
3	1.0000	B37-02000-04440		COIL;TOROID CHOKE;2uH;FOOTPRINT:10mm x 12mm;ROHS	[00002: {1.0}{}]	CUTOFF: IDENTIFIED FROM L-CHK-002U-0100X0120
4	2.0000	B37-36002-04836		COIL;CHOKE;6mH*2;T31*19*13;WIRE:2UEW 1MM0;ROHS	[00001: {2.0}{}]	
5	2.0000	B37-76100-05127		COIL;CHOKE;61uH;P:6MM;T10X6X5;ROHS;ROHS	[P0981:00: {2.0}{}]	
6	2.0000	B44-32140-04436		FERRITE BEAD;RH9.8*11.5*1.0(SUPERWORLD:R17-19-00099);ROHS	[00002: {2.0}{}]	CUTOFF: IDENTIFIED FROM L-BEAD-RH9.8*11.5*
7	1.0000	B37-31500-04441		COIL;TOROID;CHOKE;WIRE DIA:0mm4;1mH5;ROHS	[00002: {1.0}(TR1)]	(EU, UL, JP, UK, SAA, CCC, BR, AR)
8	1.0000	B37-31500-04441		COIL;TOROID;CHOKE;WIRE DIA:0mm4;1mH5;ROHS	[00002: {1.0}{}]	

Connector

	Quantity	Item	Rev	Description	Reference Designators	Notes
1	4.0000	B84-39000-03120		CONNECTOR;AMP;PCB;PCB MOUNT;PITCH:5mm;WIDTH:6mm3;ROHS	[00001: {1.0}{}] [00002: {3.0}{}]	
2	2.0000	B95-14340-01177		CONNECTOR;XLR;SOCKET;FEMALE;STRAIGHT;POLES:3;NO:06;NO:7;(CHUNSHENG CT3-02HFD-EP);ROHS	[P0981:00: {2.0}{}]	
3	4.0000	B95-19320-01176		CONNECTOR;XLR;PLUG;MALE;STRAIGHT;POLES:3;NO:6;(CHUNSHENG CT3-03HMD-EP);ROHS	[P0981:00: {4.0}{}]	
4	1.0000	B93-61215-05608		CONNECTOR;BARE JUMPER;WIRE DIAMETER:1mm5;LENGTH:12mm;ROHS;ROHS;ROHS		(UL, JP, BR)

Diode

	Quantity	Item	Rev	Description	Reference Designators	Notes
1	4.0000	C10-18700-54083		DIODE;SCHOTTKY;SS0540;SOD123;SMD;ROHS	[00002: {4.0}{}]	
2	2.0000	C11-07030-09902		DIODE;BAV99;SOT23;ROHS	[P0981:00: {2.0}{}]	
3	2.0000	C11-08000-20063		DIODE;1.5KE200A;DO201AD;ROHS	[00002: {2.0}{}]	
4	19.0000	C11-09014-14802		DIODE;LL4148;LL34;TEMIC OR FC;ROHS	[00002: {2.0}{}] [P0981:00: {17.0}{}]	
5	4.0000	C11-20430-00124		DIODE;SUPERFAST;ER1J;600V;1A;35NS;DO-214AA;SMD;ROHS	[00002: {4.0}{}]	
6	2.0000	C12-14200-05103		DIODE;ZMM05V1;SMD1206;ROHS	[P0981:00: {2.0}{}]	
7	4.0000	C13-45110-01500		DIODE;DPG15I200PA;TO220AC;ROHS		
8	1.0000	C13-53452-51022		DIODE;BRIDGE;KBJ2510;1000V;25A;ROHS		
9	12.0000	C14-20430-00024		DIODE;SUPERFAST;ES1D;200V;1A;15NS;DO-214AC;SMD;ROHS	[00002: {6.0}{}] [P0981:00: {6.0}{}]	

Hardware

	Quantity	Item	Rev	Description	Reference Designators	Notes
1	60.0000	F80-11025-33087		NAIL;CROWN:2mm2;WIDTH:1mm27;THICKNESS:1mm0; LENGTH:25mm;18-GAUGE (0.49*0.40) FINISH;GALVANIZED;ROHS		
2	60.0000	F80-11030-39509		NAIL;CROWN:2mm2;WIDTH:1mm27;THICKNESS:1mm0; LENGTH:30mm;18-GAUGE (0.49*0.40) FINISH;GALVANIZED;ROHS		
3	8.0000	F80-12010-33088		NAIL;STAPLE;CROWN 10mm;LEGLNGTH:10mm;WIDTH:1.2mm;THICKNESS:0 mm6;FINISH;GALVANIZED;ROHS		
4	1.0000	F83-10044-05631		WIRECLAMP;LUG:4mm4;LENGTH:56mm;OUTER DIA;8mm;PLASTIC COVERED STEEL;COLOR:BLK;ROHS		Decrease the QTY from 2pcs to 1pcs
5	20.0000	F84-01800-09286		THERM-GREASE;COLOR:WHT;SPEC.NO:09286;ROHS	[P0981:00: {1.0}]	
6	1.8000	F84-03000-01090		SCREWLOCK;SPEC.NO:01090;ROHS		
7	2.0000	F85-03000-44001		HEX.NUT;INNER DIA;M3mm;SURFACE:ZINC;ROHS		
8	8.0000	F85-04000-21007		T-NUT;INNER DIA;M4mm;W/PRONG;SURFACE:ZINC/BLACK;ROHS		
9	20.0000	F85-05000-21007		T-NUT;INNER DIA;M5mm;W/PRONG;SURFACE:ZINC/BLACK;ROHS		
10	1.0000	F87-00100-02056		RUBBER;SHELL_CAP;COLOR:BLK;DST.NO:001;DPT.NO:02 056;(PLA-SHELL_CAP-REVA.DWG);ROHS		
11	1.0000	F87-00100-12130		RUBBER BUSHING;P0285;DST.NO:001;DPT.NO:12130;(P0285- RUBBER_BUSHING-REVA.DWG);ROHS		
12	1.0000	F87-00200-12129		GASKET;P0285;DST.NO:002;DPT.NO:12129;(P0285- GASKET-REVB.DWG);ROHS		
13	12.0000	F88-30080-30247		SCREW;BT3mm*8mm;HEAD:PAN;INSERT:PHILLIPS REC.;SURFACE:BLACK/ZINC;ROHS		
14	3.0000	F88-30080-30297		SCREW;M3mm*8mm;HEAD:PAN;INSERT:PHILLIPS REC.;SURFACE:BLACK/ZINC;ROHS		
15	18.0000	F88-30081-20291		SCREW;M03mm*08mm;HEAD:PAN SPRING WASHER;INSERT:PHILIPS REC.;SURFACE:SILVER/ZINC;ROHS		
16	2.0000	F88-30100-30297		SCREW;M3mm*10mm;HEAD:PAN;INSERT:PHILIPS REC.;SURFACE:BLACK/ZINC;ROHS		
17	8.0000	F88-30121-20291		SCREW;M3mm*12mm;HEAD:PAN SPRING WASHER;INSERT:PHILIPS REC.;SURFACE:SILVER/ZINC;ROHS		
18	11.0000	F88-40060-30297		SCREW;M4mm*6mm;HEAD:PAN;INSERT:PHILIPS REC.;SURFACE:BLACK/ZINC;ROHS		
19	1.0000	F88-40100-30291		SCREW;M4mm*10mm;HEAD:PAN;INSERT:PHILIPS REC.;SURFACE:SILVER/ZINC;ROHS		
20	6.0000	F88-40100-30297		SCREW;M4mm*10mm;HEAD:PAN;INSERT:PHILIPS REC.;SURFACE:BLACK/ZINC;ROHS		

	Quantity	Item	Rev	Description	Reference Designators	Notes
21	16.0000	F88-40181-20217		SCREW;A4mm*18mm;HEAD:PAN WASHER 12MM;INSERT:PHILIPS REC.;SURFACE:BLACK/ZINC;ROHS		
22	6.0000	F88-40220-60217		SCREW;A4mm*22mm;HEAD:OVAL;INSERT:PHILIPS REC.;SURFACE:BLACK/ZINC;ROHS		
23	4.0000	F88-40250-20297		SCREW;M4mm*25mm;HEAD:BINDING;INSERT:PHILIPS REC.;SURFACE:BLACK/ZINC;ROHS		
24	12.0000	F88-50160-30297		SCREW;M5mm*16mm;HEAD:PAN;INSERT:PHILIPS REC.;SURFACE:BLACK/ZINC;ROHS		
25	4.0000	F88-50180-30217		SCREW;A5mm*18mm;HEAD:PAN;INSERT:PHILIPS REC.;SURFACE:BLACK/ZINC;ROHS		
26	8.0000	F88-50250-30297		SCREW;M5mm*25mm;HEAD:PAN;INSERT:PHILIPS REC.;SURFACE:BLACK/ZINC;ROHS		
27	8.0000	F89-07019-00144		INSULATION SHEET;TO220 W/HOLE;ALUMINIUM OXIDE CERAMIC INSULATOR;THICKNESS:2mm03;HOLE DIAMETER:3mm68;(LANXIN);ROHS		
28	2.0000	F89-32023-00194		INSULATION SHEET;TO247 W/HOLE;ALUMINIUM OXIDE CERAMIC INSULATOR;THICKNESS:2mm03;HOLE DIAMETER:3mm96;(LANXIN);ROHS		
29	1.0000	F90-00300-10876		METAL;SHIELDING;P0285;DST.NO:003;DPT.NO:10876;(P 0285-SHIELDING-REVC.DWG);ROHS		
30	1.0000	F91-02030-05793		SILICA GEL;MASS;30g;SPEC.NO:30QB-BB2001-4;ROHS		
31	0.0450	F95-01000-43217		SHRINKING TUBE;INNER DIA;1mm;SPEC.NO:43217;ROHS	[P0981:00: {0.045}]	
32	0.0150	F95-06000-01099		SHRINKING TUBE;INNER DIA;6mm;SPEC.NO:01099;ROHS	[00001: {0.015}]	
33	2.0000	F96-10300-60053		WASHER;PLAIN;INNER DIA:3mm;OUTER DIA:6mm;THICKNESS:0mm5;CR(III);ROHS		
34	2.0000	F96-40300-60053		WASHER;EXTERNAL TEETH;INNER DIA:3mm;OUTER DIA:6mm;THICKNESS:0mm5;PLATING:CR(III);ROHS		
35	2.0000	F96-40400-70170		WASHER;EXTERNAL TEETH;INNER DIA:4mm;OUTER DIA:7mm;THICKNESS;1mm7;ROHS		
36	1.0000	F97-00000-00092		PLASTIC;PC_SHEET;P0955;PC SHEET;ROHS		
37	2.0000	F97-00000-03111		P0981;PIPE;REVA;ROHS		
38	1.0000	F97-00100-14114		INSULATION SHEET;P0A05;DST.NO:001;DPT.NO:14114;(P0A05- INSULATION_SHEET-REVA.DWG);ROHS		
39	2.0000	F97-32000-26356		SHEET 2;SLIDE- SWITCH;PVC;BLACK;DWG.NO:26356;(PVCSHEET2- REVA.DWG);ROHS		
40	8.0000	F98-04400-27886		BUSHING;MINIATURE;NYLON;DWG.NO:27886;(R20-SC- PLA_NYLBUSHM3x1_4.DWG);ROHS		

Ic

	Quantity	Item	Rev	Description	Reference Designators	Notes
1	1.0000	C71-20352-50116		IC;DRIVER VOLTAGE-MODE PWM CONTROLLER;KA3525A;DIP;ROHS	[00002: {1.0}()]	
2	3.0000	C73-00000-29050		IC;OPAMP;SMD;SOP;8;BA4580RF;ROHS	[P0981:00: {3.0}()]	
3	3.0000	C73-31007-40514		IC;OPAMP OPAMP;TL074;SOP;BRAND:ST ONLY;ROHS	[P0981:00: {3.0}()]	
4	1.0000	C73-55617-27408		IC;OPAMP;LM6172IM;SO;PIN:8;ROHS	[P0981:00: {1.0}()]	
5	1.0000	C74-36100-60803		IC;POWER CONVERSION;MCR100-6RLG;TO92;TAPE;ROHS	[00002: {1.0}()]	
6	1.0000	C77-00128-03000		IC;VOLT.REGULATOR;ZENERSHUNT.REGULATOR;SOT23;LM431ACM3/N1;ROHS	[00002: {1.0}()]	
7	1.0000	C77-05107-03010		IC;VOLT.REGULATOR;7805;TO220;ROHS	[P0981:00: {1.0}()]	
8	1.0000	C77-12107-03110		IC;VOLT.REGULATOR;7812F;FULLPACK;TO220;ROHS	[P0981:00: {1.0}()]	REPLACED: IC-7812
9	1.0000	C77-15107-03110		IC;VOLT.REGULATOR;7815F;FULLPACK;TO220;ROHS	[00002: {1.0}()]	
10	1.0000	C77-15207-03110		IC;VOLT.REGULATOR;7915F;FULLPACK;TO220;ROHS	[00002: {1.0}()]	
11	1.0000	C78-55039-32208		IC;COMPARATOR;LM393;SOIC;ROHS	[P0981:00: {1.0}()]	
12	1.0000	C78-55133-90514		IC;COMPARATOR;(SGS ONLY);LM339;SOP;SMD;ROHS	[00002: {1.0}()]	
13	1.0000	D22-00070-42608		IC;INVERTER BUFFER;TOSHIBA;TC7WH04FU;SSOP8-P-0.65;ROHS	[P0981:00: {1.0}()]	
14	1.0000	D24-16055-57408		IC;MICROCONTROLLER;NE555D;SO8;ROHS	[00002: {1.0}()]	
15	2.0000	D28-64295-72216		IC;IRS20957S;SOIC;ROHS	[P0981:00: {2.0}()]	
16	1.0000	D30-22002-20108		IC;SWITCH/MULTIPLEX;VIPER22ADIP;DIP-8;ROHS	[00002: {1.0}()]	

Led

	Quantity	Item	Rev	Description	Reference Designators	Notes
1	1.0000	E10-00000-28401		LED;3mm0 ROUND;AMBER;BULK;NORMAL BRIGHT;W/RING;Iv:Typ.60mcd;ROHS	[P0981:00: {1.0}()]	
2	1.0000	E10-57630-05113		LED;HIGH BRIGHT;RD;ROHS	[P0981:00: {1.0}]	
3	1.0000	E10-59585-00592		LED;HIGH BRIGHT;3mm ROUND;YE;ROHS	[P0981:00: {1.0}()]	
4	1.0000	E12-57630-00590		LED;3mm ROUND;RD;ROHS	[P0981:00: {1.0}()]	

Manual

	Quantity	Item	Rev	Description	Reference Designators	Notes
1	1.0000	A56-00000-43241		SERVICE INFORMATION SHEET;P0000;EN;Contact Information Sheet;REV:001;ROHS		
2	1.0000	A57-00003-12001		PRODUCT LEAFLET;FOR 2008 FULL LINE CATALOG;ROHS		
3	1.0000	A52-00000-40142		WARRANTY CARD;P0000;JA;DATE:01.07.2011;REVD;ROHS		(JP)
4	1.0000	A50-00000-04063		MANUAL;P0955;EN;OI;REV:001;ROHS		(EU, UL, UK, SAA, BR, AR)
5	1.0000	A50-00000-04065		MANUAL;P0955;EU;OI;REV:001;ROHS		(EU)
6	1.0000	A52-00000-42338		WARRANTY CARD;P0000;EN;REV:001;ROHS		(AR)
7	1.0000	A50-00000-04067		MANUAL;P0955;JA;OI;REV:001;ROHS		(JP)

Metal Part

	Quantity	Item	Rev	Description	Reference Designators	Notes
1	1.0000	A63-00100-14306		MET;HEATSINK;P0955;DST.NO:001;DPT.NO:14306;(P0955-HEATSINK-REVA.DWG);ROHS		
2	1.0000	A65-00000-00080		METAL;P0955;STEEL 0.5mm TINNED;PLATE;PUNCHING;NATURAL;ROHS	[P0981:00: {1.0}]	
3	1.0000	A65-00000-24959		METAL;P0274;SPCC 0.8mm;MOUNT;BENDING + PUNCHING;PLATING TIN;MOUNTING HELP;I00053P;REV:B;ROHS;ROHS	[00001: {1.0}()]	
4	1.0000	A65-00100-14302		METAL;BRACKET CLIP;P0955;DST.NO:001;DPT.NO:14302;(P0955-MET-BRACKET_CLIP-REVA.DWG);ROHS		
5	1.0000	A65-00400-13019		METAL;GRILL;B1800X PRO;BLACK POWDER LAMINATE;DST.NO:004;DPT.NO:13019;(B1800XPRO-GRILLE-REVD.DWG);ROHS		
6	1.0000	J02-00000-07580		METAL;P0981;PANEL;REAR PANEL;B003;ROHS		

Packaging Part

	Quantity	Item	Rev	Description	Reference Designators	Notes
1	2.0000	G25-00000-16460		POLYFOAM;P0981;BF-TF-REVB;ROHS		
2	2.0000	G25-00000-16461		POLYFOAM;P0981;BR_TR-REVB;ROHS		
3	1.0000	G28-20090-14010		PE BAG;SIZE:9in*14in;W/WARNING;ROHS		
4	1.0000	G28-62302-30516		PE BAG;SIZE:23in+23in*62in;06 PE;W/WARNING;ROHS		
5	1.0000	I40-00000-05027		MASTER CARTON;P0981;MACA;A001;ROHS		

Plastic Part

	Quantity	Item	Rev	Description	Reference Designators	Notes
1	1.0000	G52-00000-13302		PLASTIC;P0955;ABS PA757;KNOB;INJECTION;HIGH GLOSS;PANTONE 430;P0955-POTKNOB-REVA;ROHS		
2	2.0000	G52-00100-04859		KNOB;POT;I0003A;S(10)04;ABS;430U;CAP:3015U;DST.NO:001;DPT.NO:04859;(I0003A-POTI KNOB_10-REVA.DWG);ROHS		
3	1.0000	G52-80500-23660		PLASTIC;POWER SWITCH KNOB;PMX2000;DWG.NO:23660;(R20-PMX2000X-POWERKNOB-REVA.DWG);ROHS		
4	1.0000	G53-61000-09379		STUFFING MATERIAL;18Kg/m3;SIZE:138cm*60cm*4cm;ROHS		
5	2.0000	G56-00400-05293		PLASTIC;SHELL;E1800X;DST.NO:004;DPT.NO:05293;(E1800-PLA_SHELL-REVD.DWG);ROHS		
6	1.0000	G58-00000-14199		PLASTIC;P0A2E;HOUSING;BLACK;LD-OPT01;DIM:8*10mm;LDOPT01HOUSING-REVE;ROHS	[P0981:00: {1.0}]	
7	1390.0000	G58-00100-03180		GASKET;SPEAKER;RGA15EVA1_5A;MATERIAL:EVA;BLACK;WIDTH:15mm;HEIGHT:1mm5;DST.NO:001;DPT.NO:03180;(LS-RGA15EVA1_5A-REVA.DWG);ROHS		
8	200.0000	G58-00100-07894		REAR GASKET;RGA08EVA1_5;EVA;HEIGHT:8mm;THICKNESS:1mm5;DST.NO:001;DPT.NO:07894;(LS-RGA08EVA1_5-REVA.DWG);ROHS		
9	1.0000	G58-00200-02452		SWITCH INLET;PRO SERIES (POWER SWITCH);SIZE:0in58*0in58;ABS;DST.NO:002;DPT.NO:02452;(PRO-PWRSWIT-REVB.DWG);ROHS		
10	3.0000	G58-00200-11801		LED SPACER;VP1;DST.NO:002;DPT.NO:11801;(VP1-LEDSPACER-REVB.DWG);ROHS	[P0981:00: {3.0}()]	
11	2.0000	G58-00300-02566		GASKET;BEHPLA005;CELLULAR RUBBER;DST.NO:003;DPT.NO:02566;(HANDLE_BEHPLA004-GASKET-REVC.DWG);ROHS		
12	2.0000	G58-00300-06731		WEATHER STRIP;E1800X;MATERIAL:PVC;DST.NO:003;DPT.NO:06731;(E1800X-WEATHERSTRIP-REVC.DWG);ROHS		
13	1.0000	G58-00500-02565		HANDLE BRACKET;BRACKET3;DST.NO:005;DPT.NO:02565;(PLA-BRACKET3-REVE.DWG);ROHS		
14	1.0000	I68-00000-24543		PLASTIC;P0000;BEHLOGO12;80mm;A005;ROHS		
15	1.0000	I68-00000-47050		PLASTIC;P0000;XIN-LI GXPP3267;HANDLE;INJECTION Moulding;YS1302B;BLACK;HANDLE3;C001;ROHS		
16	1.0000	G53-26000-22762		FUSE HOLDER;TYPE:FH-B13HA;250V/10A;SPEC:22762;ROHS	[00001: {1.0}()]	(EU, UL, JP, UK, SAA, CCC, BR, AR)
17	1.0000	G53-26000-22762		FUSE HOLDER;TYPE:FH-B13HA;250V/10A;SPEC:22762;ROHS	[00001: {1.0}(F1)]	

Plug Socket

	Quantity	Item	Rev	Description	Reference Designators	Notes
1	1.0000	G67-30103-01969		SOCKET;AC;PCB MOUNT;COLOR:BLACK;POLES:03;(SS-7B-1-T7NUT2);ROHS	[00001: {1.0}{}]	
2	1.0000	G71-23108-04747		PLUG;WAFER;POLES:08;1 ROW;STRAIGHT;PITCH:2mm;TYPE:A2006WV-8P;ROHS	[00002: {1.0}{}]	
3	1.0000	G71-27102-04450		PLUG;WAFER;P:3mm96;1 ROW;STRAIGHT;POLES:02;JS1120-03-S1;NO MIDDLE PIN;ROHS	[00001: {1.0}{}]	

Power Supply

	Quantity	Item	Rev	Description	Reference Designators	Notes
1	1.0000	J69-8A070-04973		TRANSFORMER;1mH5;EEL-19;R17-19-00110;ROHS	[00002: {1.0}{}]	(EU, UL, JP, UK, SAA, CCC, BR, AR)
2	1.0000	J69-8A070-04973		TRANSFORMER;1mH5;EEL-19;R17-19-00110;ROHS	[00002: {1.0}(TR2)]	
3	1.0000	J69-89810-06715		TRAFO;SWITCH MODE;PSU;600uH;(SUPERWORLD:R17-19-00255);ROHS	[00002: {1.0}{}]	(EU, UL, JP, UK, SAA, CCC, BR, AR)
4	1.0000	J69-89810-06715		TRAFO;SWITCH MODE;PSU;600uH;(SUPERWORLD:R17-19-00255);ROHS	[00002: {1.0}(TR3)]	CUTOFF: 5POSSIBLE CHOICES

Raw Material

	Quantity	Item	Rev	Description	Reference Designators	Notes
1	4.2000	E41-50088-50456		HOTMELT;ZL;HS-88A;ROHS		
2	109.0000	E41-60000-30655		GLUESW66;SPEC.NO:30655;ROHS		
3	28.0000	E41-60038-50449		HOTMELT;HEN-FENG;HS-38;ROHS		
4	0.2350	E41-60103-33085		GLUE;WOODEN;SY103;ROHS		
5	43.0000	E41-60116-04068		GLUE;SUN-DA;SILCONE;SW-116-A;ROHS	[00001: {8.0}] [00002: {25.0}] [P0981:00: {10.0}]	
6	2.0000	E41-60268-50457		GLUE;SUNYES;820;ROHS		
7	0.1000	E41-60808-45792		GLUE;POWER;TYPE:A;(JC808);ROHS		
8	0.0100	E44-13005-33084		PAINT;BLACK;S-3005;ROHS		
9	1.0E-4	E48-30100-09267		EPOXY COATING TRANSPARENT(DP-100 PLUS) 50ML/PAK;ROHS	[P0981:00: {1.0E-4}]	
10	1.0E-4	E48-30270-05114		EPOXY COATING BLACK (DP-270) 50ML/PAK;ROHS	[P0981:00: {1.0E-4}]	
11	0.0020	E64-01000-09284		MIXING NOZZLE;TO PLACE DP-270 EPOXY;SPEC.NO:09284;ROHS	[P0981:00: {0.0020}]	

Potentiometer

	Quantity	Item	Rev	Description	Reference Designators	Notes
1	1.0000	I03-64241-00280		POTENTIOMETER;10Kohm;TAPER:B;STEREO;SHAFT:30M M;W/O CC;NORMAL TORQUE;(TOPROOT K111GVA01- F30B12-B10K-O);ROHS	[P0981:00: {1.0}{}]	
2	1.0000	I03-87241-01971		POTENTIOMETER;10Kohm;TAPER:B;MONO;SHAFT:30M M;W/O CC;HIGH TORQUE;(TOPROOT RK093NVA01- F30B12-B10K(300)-O-H);ROHS	[P0981:00: {1.0}{}]	
3	1.0000	I03-87331-01248		POTENTIOMETER;10Kohm;TAPER:C;MONO;W/O CC;TYP:RK09;RK093NVA01-F30B12-C10K-O-H;ROHS	[P0981:00: {1.0}{}]	

Speaker Part

	Quantity	Item	Rev	Description	Reference Designators	Notes
1	1.0000	H77-00000-04569		WOOFER;6 OHMS;18SW2000A6;18inch;500Watt;6ohm;ROHS		

Switch

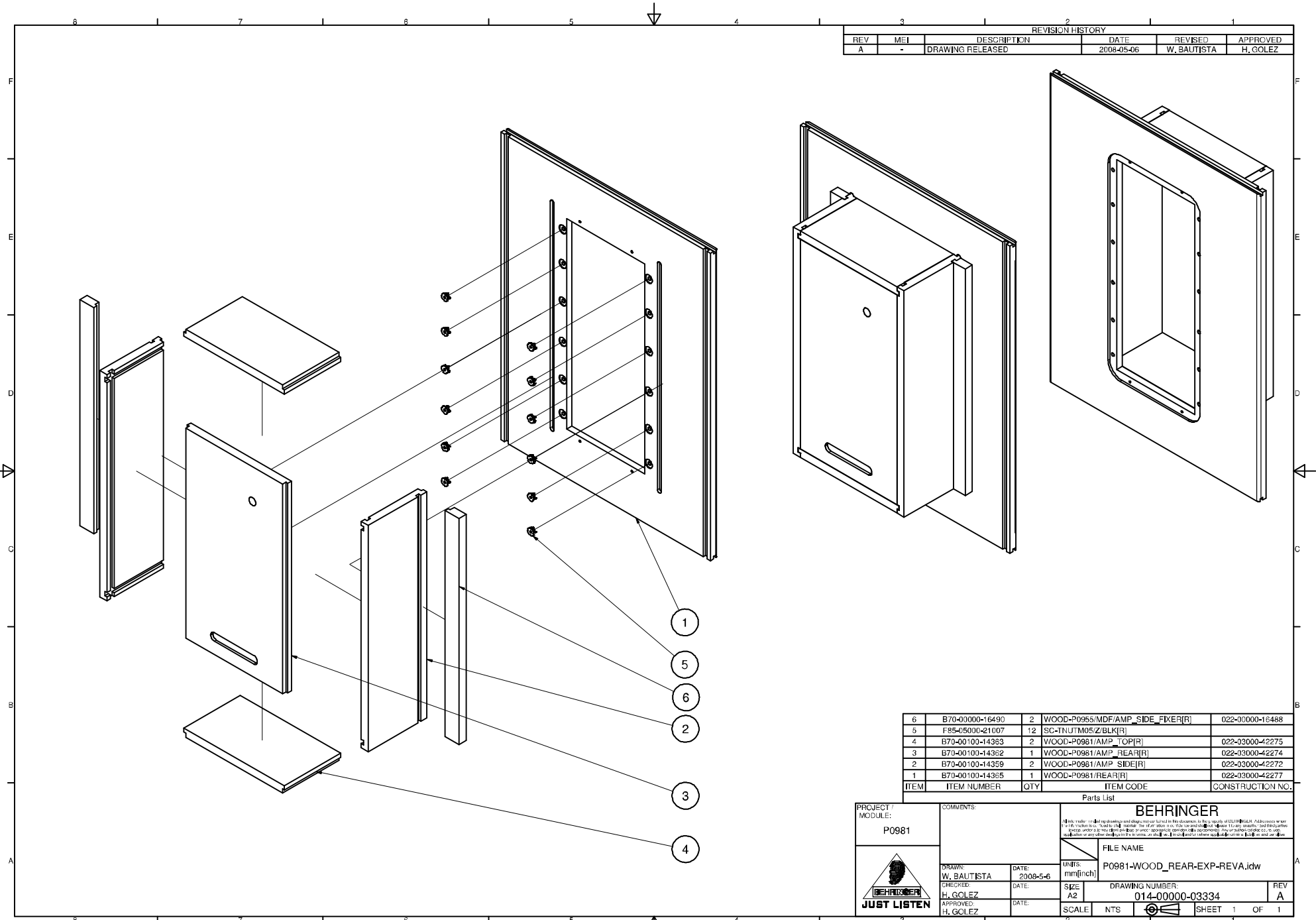
	Quantity	Item	Rev	Description	Reference Designators	Notes
1	2.0000	I86-00422-37902		SWITCH;SLIDE;2P2T;PCB VERSION;LOCKING;NONSHORT;COMAX SS-22J16-G8 NS;ROHS	[P0981:00: {2.0}{}]	
2	1.0000	I91-02412-22761		SWITCH;PUSH;1P2T;PCB VERSION;LOCKING;NONSHORT;WELL LONG;PS3-22SPA- P9DZ;ROHS	[00001: {1.0}{}]	

Transistor

	Quantity	Item	Rev	Description	Reference Designators	Notes
1	4.0000	J70-15332-61703		TRANSISTOR;2SC3326B;SOT;ROHS	[P0981:00: {4.0}{}]	
2	4.0000	J70-20422-74503		TRANSISTOR;IRFB4227PBF;TO220;ROHS		
3	2.0000	J70-80855-00803		TRANSISTOR;SS8550;TO92;P:2.54;T/R;ROHS	[00002: {2.0}{}]	
4	2.0000	J71-00000-02914		TRANSISTOR;TO247;3;FGH40N60SFD;ROHS		
5	8.0000	J73-08000-61703		TRANSISTOR;MBTA06;SOT;ROHS	[P0981:00: {8.0}{}]	
6	3.0000	J73-08005-61703		TRANSISTOR;MBTA56;SOT;ROHS	[00002: {1.0}{}] [P0981:00: {2.0}{}]	

Wooden Part

	Quantity	Item	Rev	Description	Reference Designators	Notes
1	2.0000	B70-00000-16490		WOOD;P0955;MDF;STRIP;P0955- WOOD_AMP_SIDE_FIXER-REVA;ROHS		
2	1.0000	B70-00000-16590		WOOD;P0981;MDF 18mm E1 GRADE;BOARD;BLACK;LAMINATING (VINYL);WOOD_REAR-REVB;ROHS		
3	2.0000	B70-00000-16592		WOOD;P0955;MDF 18mm E1 GRADE;BOARD;BLACK;WOOD_AMP_SIDE-REVB;ROHS		
4	8.0000	B70-00100-00196		WOOD;TRIANGLE WEDGE 1;B1520;DST.NO:001;DPT.NO:00196;(B1520-TRIANGLE WEDGE(1)-REVA.DWG);ROHS		
5	6.0000	B70-00100-01491		WOOD;SUPPORT BAR;B2031P;MDF;12T*12*60mm;DST.NO:001;DPT.NO:0 1491;(B2031P-SUPPORT-BAR-REVA.DWG);ROHS		
6	1.0000	B70-00100-14362		WOOD;AMP REAR;P0981;DST.NO:001;DPT.NO:14362;(P0981- WOOD_AMP_REAR-REVA);ROHS		
7	1.0000	B70-00100-14364		WOOD;BRACE;P0981;DST.NO:001;DPT.NO:14364;(P0988 -WOOD_BRACE-REVA);ROHS		
8	1.0000	B70-00100-14414		WOOD;FRONT;P0981;DST.NO:001;DPT.NO:14414;(P098 1-WOOD_FRONT-REVA);ROHS		
9	1.0000	B70-00100-14415		WOOD;LEFT;P0981;DST.NO:001;DPT.NO:14415;(P0981- WOOD_LEFT-REVA);ROHS		
10	1.0000	B70-00100-14416		WOOD;RIGHT;P0981;DST.NO:001;DPT.NO:14416;(P0981 -WOOD_RIGHT-REVA);ROHS		
11	2.0000	B70-00100-14624		WOOD;AMP TOP;P0955;DST.NO:001;DPT.NO:14624;(P0955- WOOD_AMP_TOP-REVA);ROHS		



REVISION HISTORY					
REV	MEI	DESCRIPTION	DATE	REVISED	APPROVED
A	-	DRAWING RELEASED	2008-05-06	W. BAUTISTA	H. GOLEZ

ITEM	ITEM NUMBER	QTY	ITEM CODE	CONSTRUCTION NO.
6	B70-00000-16490	2	WOOD-P0965/MDF/AMP_SIDE_FIXER[R]	022-00000-16488
5	F85-05000-21007	12	SC-INUTM05/Z/BLK[R]	
4	B70-00100-14363	2	WOOD-P0981/AMP_TOP[R]	022-03000-42275
3	B70-00100-14362	1	WOOD-P0981/AMP_REAR[R]	022-03000-42274
2	B70-00100-14359	2	WOOD-P0981/AMP_SIDE[R]	022-03000-42272
1	B70-00100-14365	1	WOOD-P0981/REAR[R]	022-03000-42277

Parts list

BEHRINGER

FILE NAME: P0981-WOOD_REAR-EXP-REVA.idw

DRAWING NUMBER: 014-00000-03334

REVISION: A

DATE: 2008-5-6

SCALE: NTS

SHEET 1 OF 1

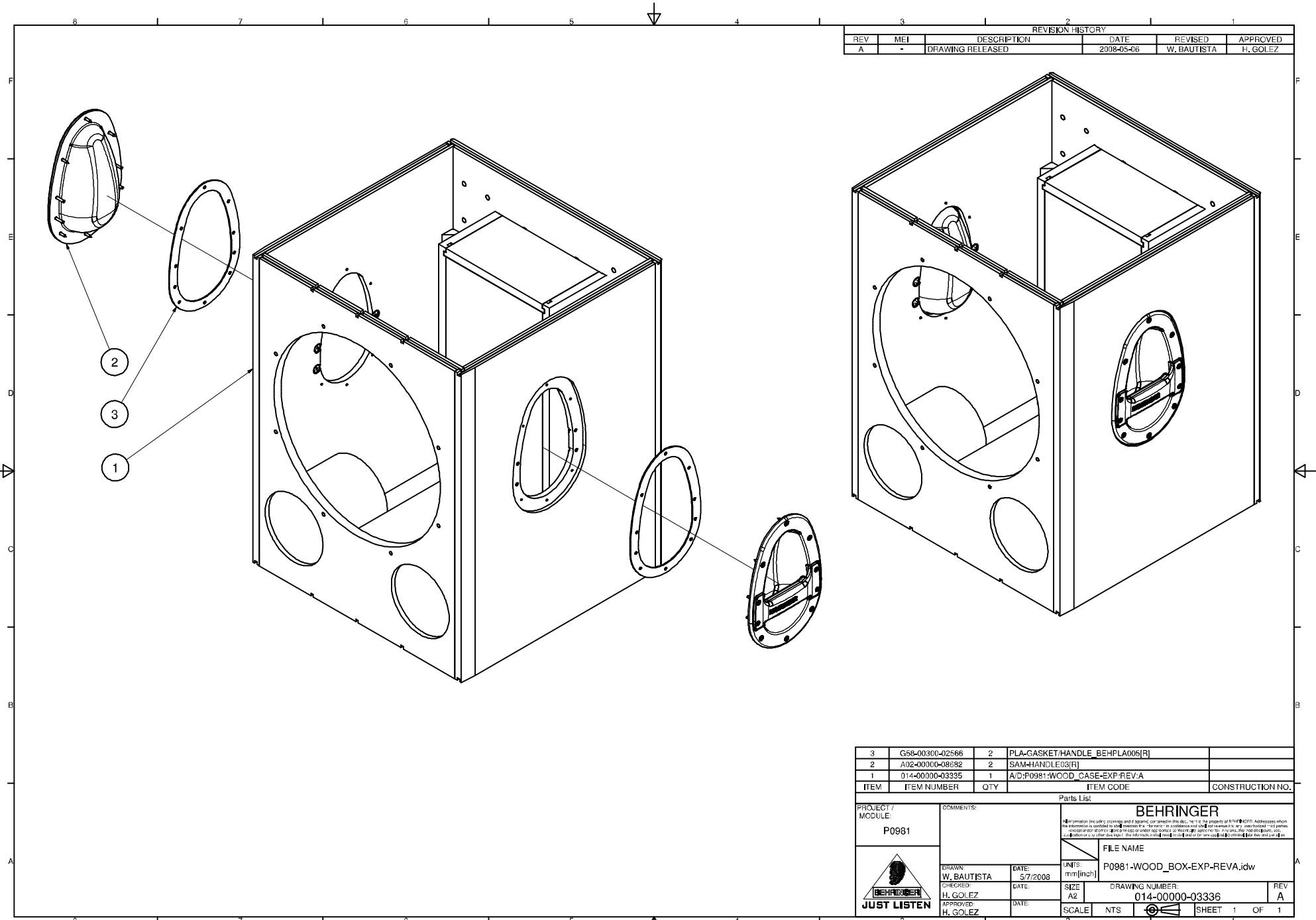
PROJECT MODULE: P0981

COMMENTS:

DRAWN: W. BAUTISTA
CHECKED: H. GOLEZ
APPROVED: H. GOLEZ

UNITS: mm[inch]
SIZE: A2

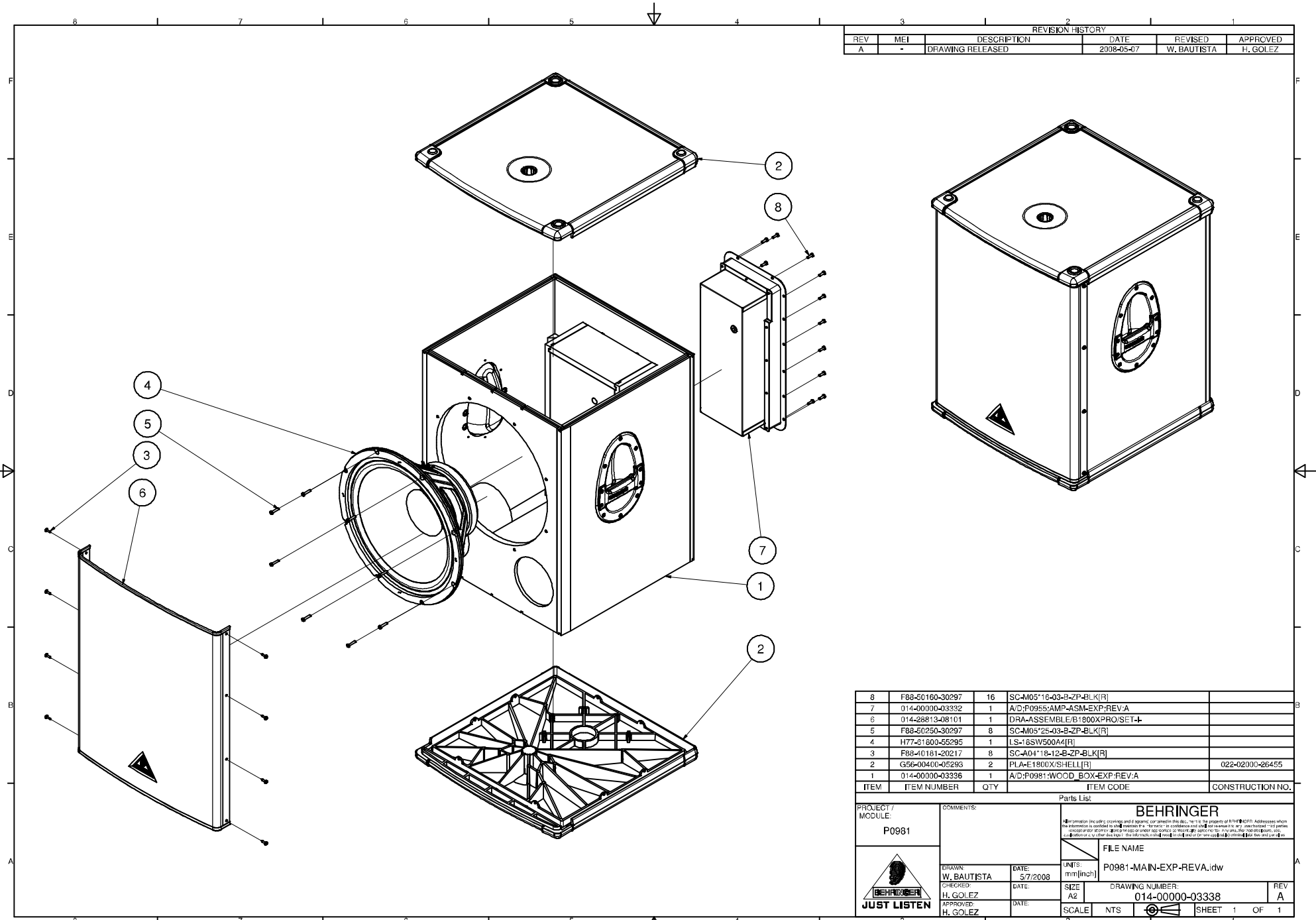
BEHRINGER JUST LISTEN



REVISION HISTORY					
REV	MEI	DESCRIPTION	DATE	REVISED	APPROVED
A	-	DRAWING RELEASED	2008-05-06	W. BAUTISTA	H. GOLEZ

ITEM	ITEM NUMBER	QTY	ITEM CODE	CONSTRUCTION NO.
3	G58-00300-02566	2	PLA-GASKET/HANDLE BEHPLA005[R]	
2	A02-00000-08682	2	SAM-HANDLE03[R]	
1	014-00000-03335	1	A/D:P0981-WOOD_CASE-EXP-REV:A	

PROJECT / MODULE: P0981		COMMENTS:		<p>BEHRINGER</p> <p><small>All information including drawings and documents are the property of Behringer. All rights reserved. No part of this document may be reproduced, stored in a retrieval system, or transmitted in any form or by any means, electronic, mechanical, photocopying, recording, or by any information storage and retrieval system, without the prior written permission of Behringer. The information contained herein is for internal use only and is not to be distributed outside the company.</small></p>	
		DRAWN: W. BAUTISTA CHECKED: H. GOLEZ APPROVED: H. GOLEZ		DATE: 5/7/2008 DATE: DATE:	
UNITS: mm[inch]		FILE NAME: P0981-WOOD_BOX-EXP-REVA.idw		DRAWING NUMBER: 014-00000-03336	
SCALE: NTS		SHEET 1 OF 1		REV: A	



REVISION HISTORY					
REV	MEI	DESCRIPTION	DATE	REVISED	APPROVED
A	-	DRAWING RELEASED	2008-05-07	W. BAUTISTA	H. GOLEZ

ITEM	ITEM NUMBER	QTY	ITEM CODE	CONSTRUCTION NO.
8	F88-50160-30297	16	SC-M05*16-Q3-B-ZP-BLK[R]	
7	014-00000-03332	1	A/D:P0955;AMP-ASM-EXP-REV-A	
6	014-28813-08101	1	DRA-ASSEMBLE/B1800XPRO/SET-L	
5	F88-50250-30297	8	SC-M05*25-Q3-B-ZP-BLK[R]	
4	H77-81800-55295	1	LS-16SW500A4[R]	
3	F88-40181-20217	8	SC-A04*18-12-B-ZP-BLK[R]	
2	G56-00400-05293	2	PLA-E1800X/SHELL[R]	022-02000-26455
1	014-00000-03336	1	A/D:P0981;WOOD_BOX-EXP-REV-A	

PROJECT / MODULE: P0981		COMMENTS:		 BEHRINGER	
 JUST LISTEN		DRAWN: W. BAUTISTA CHECKED: H. GOLEZ APPROVED: H. GOLEZ		DATE: 5/7/2008	
UNITS: mm inch FILE NAME: P0981-MAIN-EXP-REVA.idw		DRAWING NUMBER: 014-00000-03338		REV: A	
SCALE: 1:1		NTS		SHEET 1 OF 1	



We Hear You