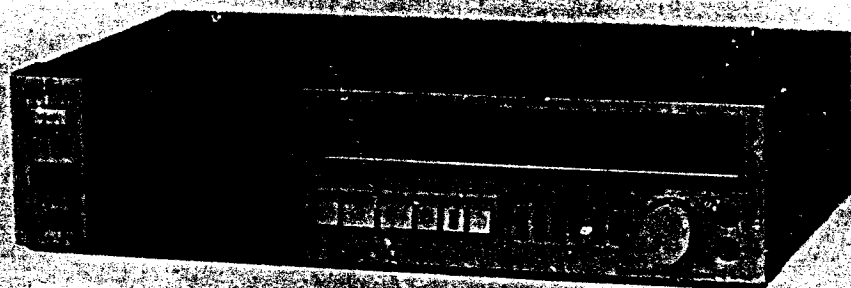


THE QUALITY OF
THIS MANUAL IS
THE BEST THAT
IS AVAILABLE

P5286Z

US Model
Canadian Model
AEP Model
UK Model
E Model



'Dolby' and the double-D symbol are trademarks of Dolby Laboratories. Noise reduction system manufactured under license from Dolby Laboratories Licensing Corporation.

STEREO CASSETTE DECK


SPECIFICATIONS

- Power Requirements:** 120 V ac, 60 Hz (US, Canadian model)
220 V ac, (240 ac adjustable), 50/60 Hz (AEP model)
240 V ac, (220 V ac adjustable), 50/60 Hz (UK model)
110, 120, 220 or 240 V ac adjustable, 50/60 Hz (E model)
- Power Consumption:** 12W
- Dimensions:** Approx. 430 (w) x 105 (h) x 255 (d) mm
17 (w) x 4 1/4 (h) x 10 1/8 (d) inches, including projecting parts and controls
- Weight:** Approx. 4.4 kg (9 lbs 12 oz)
- Recording System:** 4-track 2-channel stereo
- Fast-forward and Rewind Time:** Approx. 90 sec. (with C-60 cassette)
- Bias Frequency:** 105 kHz
- Signal-to-noise Ratio:** DOLBY NR OFF
- With TYPE IV cassette (Sony METALLIC)
58 dB at peak level (NAB)
56 dB (DIN)
 - With TYPE III cassette (Sony FeCr)
58 dB at peak level (NAB)
56 dB (DIN)
 - With TYPE II cassette (Sony CD-α or EHF)
56 dB at peak level (NAB)
- DOLBY NR ON
Improved by 5 dB at 1 kHz,
10 dB above 5 kHz


Total Harmonic Distortion: 1.0% (with Sony METALLIC and FeCr cassettes)

— Continued on page 2 —

SAFETY-RELATED COMPONENT WARNING!!

COMPONENTS IDENTIFIED BY SHADING AND MARK  ON THE SCHEMATIC DIAGRAMS, EXPLODED VIEWS AND IN THE PARTS LIST ARE CRITICAL TO SAFE OPERATION. REPLACE THESE COMPONENTS WITH SONY PARTS WHOSE PART NUMBERS APPEAR AS SHOWN IN THIS MANUAL OR IN SUPPLEMENTS PUBLISHED BY SONY.

ATTENTION AU COMPOSANT AYANT RAPPORT À LA SÉCURITÉ!

LES COMPOSANTS IDENTIFIÉS PAR UNE TRAME ET UNE MARQUE  SUR LES DIAGRAMMES SCHEMATIQUES, LES VUES ÉCLATÉES ET LA LISTE DES PIÈCES SONT CRITIQUES POUR LA SÉCURITÉ DE FONCTIONNEMENT. NE REMPLACER CES COMPOSANTS QUE PAR DES PIÈCES SONY DONT LES NUMÉROS SONT DONNÉS DANS CE MANUEL OU DANS LES SUPPLÉMENTS PUBLIÉS PAR SONY.



SONY

SERVICE MANUAL

TC-FX2

- Frequency Response:** DOLBY NR OFF
- With TYPE IV cassette (Sony METALLIC)
20 – 17,000 Hz
30 – 15,000 Hz (± 3 dB)
30 – 13,000 Hz (± 3 dB, 0 VU recording)
30 – 15,000 Hz (DIN)
 - With TYPE III cassette (Sony FeCr)
20 – 16,000 Hz
30 – 15,000 Hz (± 3 dB)
30 – 15,000 Hz (DIN)
 - With TYPE II cassette (Sony CD-a or EHF)
20 – 16,000 Hz
30 – 14,000 Hz (± 3 dB)
30 – 14,000 Hz (DIN)
 - With TYPE I cassette (Sony BHF or HFX)
20 – 15,000 Hz
30 – 13,000 Hz (DIN)

Wow and Flutter: 0.05% WRMS (NAB)
 $\pm 0.14\%$ (DIN)

Inputs: Microphone inputs (phone jacks)
Sensitivity 0.25 mV (-70 dB)
For a low-impedance microphone
Line inputs (phono jacks)
Sensitivity 77.5 mV (-20 dB)
Input impedance 50 k Ω

Outputs: Line outputs (phono jacks)
Output level 0.435 V (-5 dB) at load
impedance 50 k Ω
Load impedance over 10 k Ω
Headphone output
Output level 31 mV (-28 dB) at a load
impedance of 8 Ω

**Record/playback jack
(only for AEP model):** Input impedance less than 10 k Ω
Output impedance less than 10 k Ω

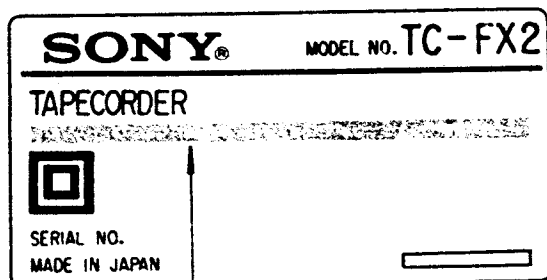
0 dB = 0.775 V

Note

Appliance conform with ECC Directive 76/889 regarding interference suppression.

MODEL IDENTIFICATION

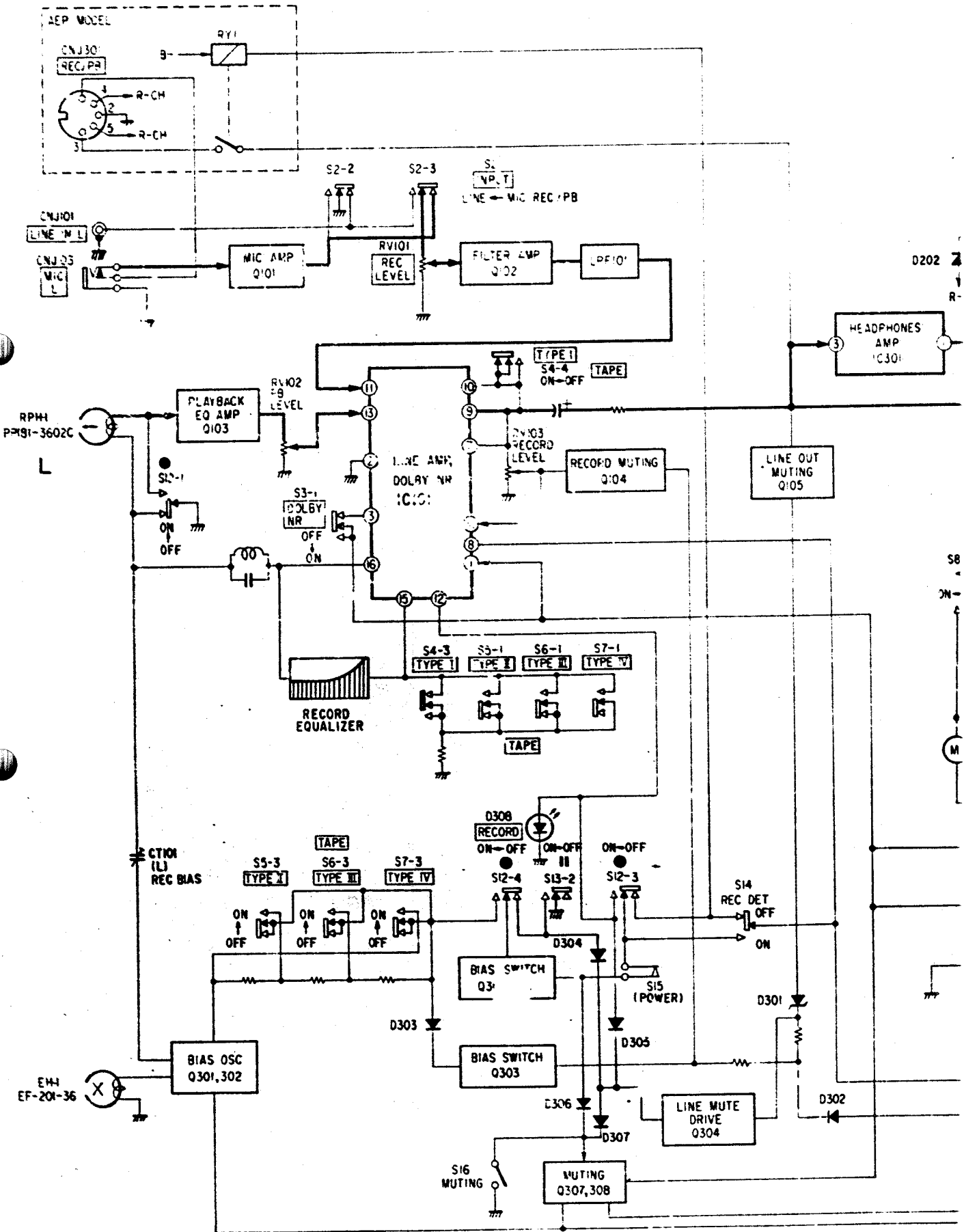
— Specification Label —



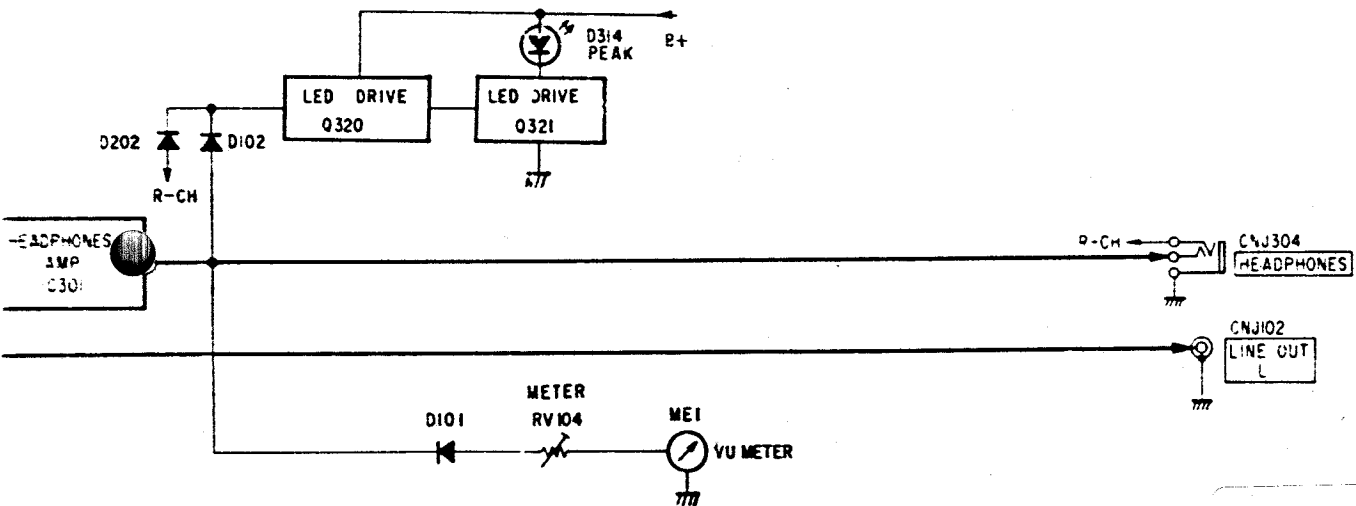
US, Canadian model:	120 V	60 Hz	12 W
AEP model:	220 V	50/60 Hz	12 W
UK model:	240 V	50/60 Hz	12 W
E model:	110, 120, 220, 240 V	— 50/60 Hz	12 W

SECTION 1 OUTLINE

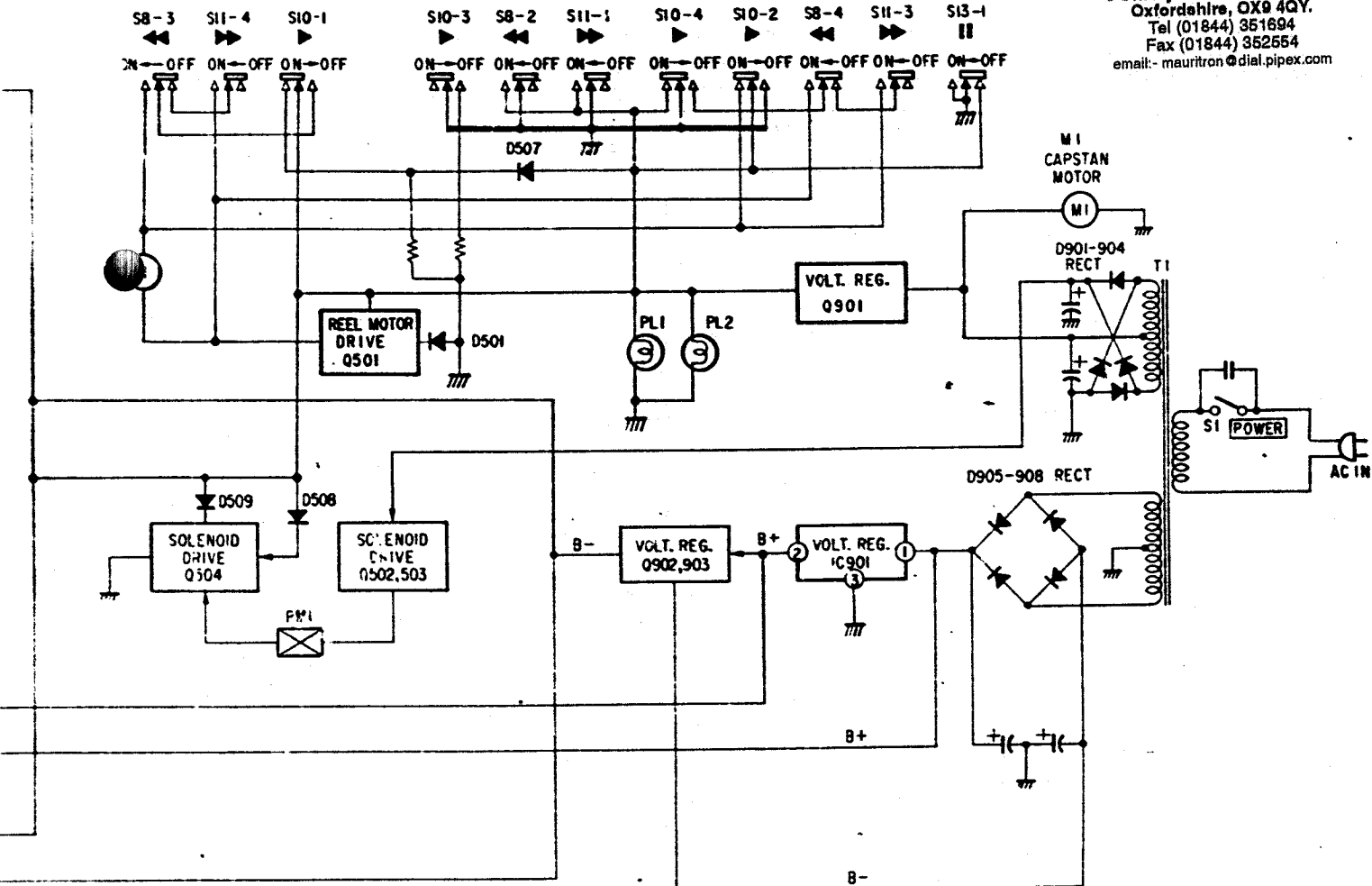
1-1. BLOCK DIAGRAM



TC-FX2 TC-FX2



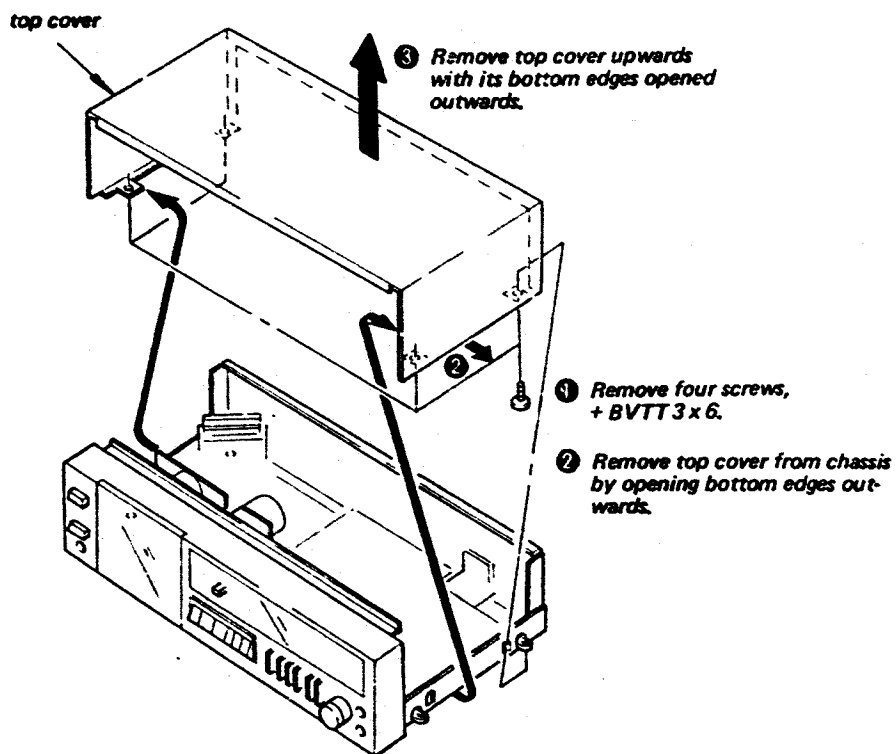
For Service Manuals
MAURITRON SERVICES
 8 Cherry Tree Road, Chinnor
 Oxfordshire, OX9 4QY.
 Tel (01844) 351694
 Fax (01844) 352554
 email: mauritron@dial.pipex.com



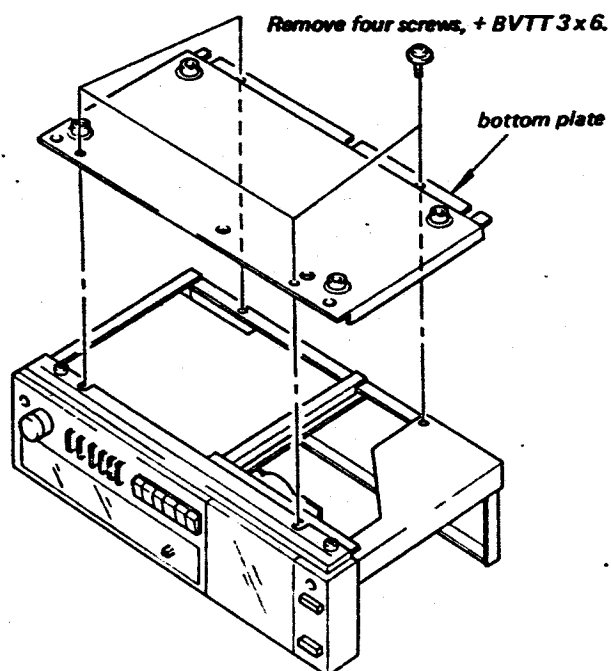
SECTION 2 DISASSEMBLY

Note: Follow the disassembly procedure in the numerical order given.

TOP COVER

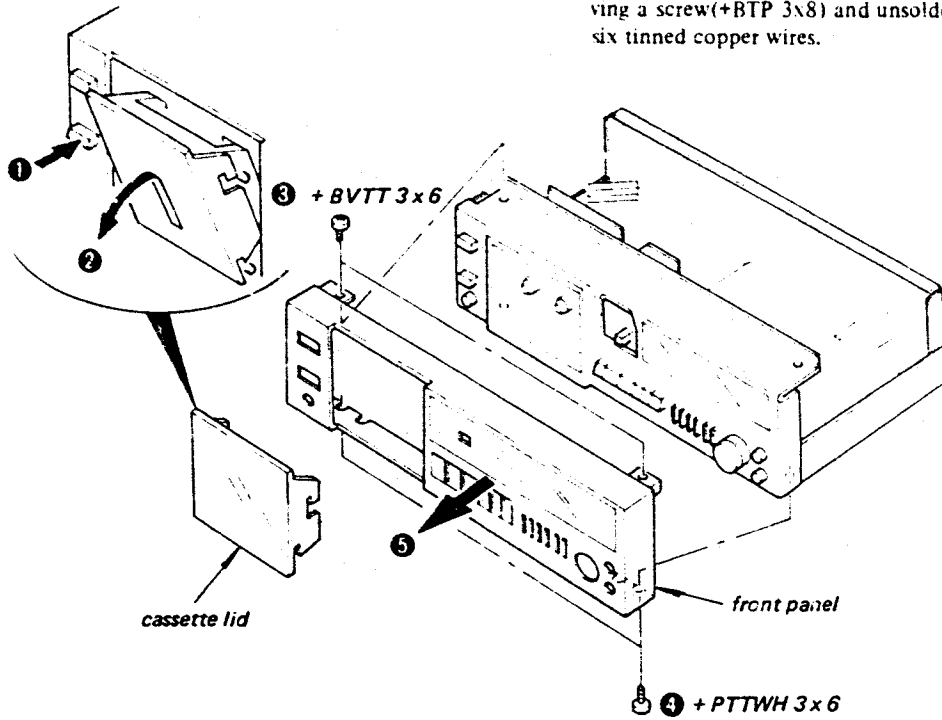


BOTTOM PLATE



FRONT PANEL

Note: Pin-jack board can be removed by removing a screw(+BTP 3x8) and unsoldering six tinned copper wires.



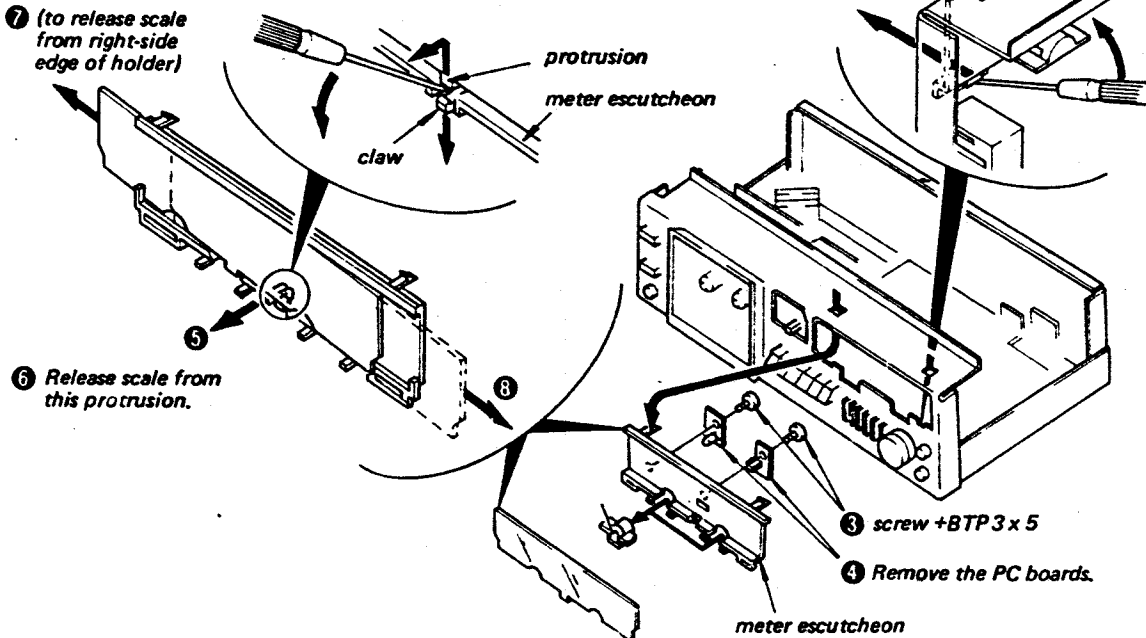
VU METER

Remove meter scale from claw and bend meter scale forward until protrusion places outside holder.

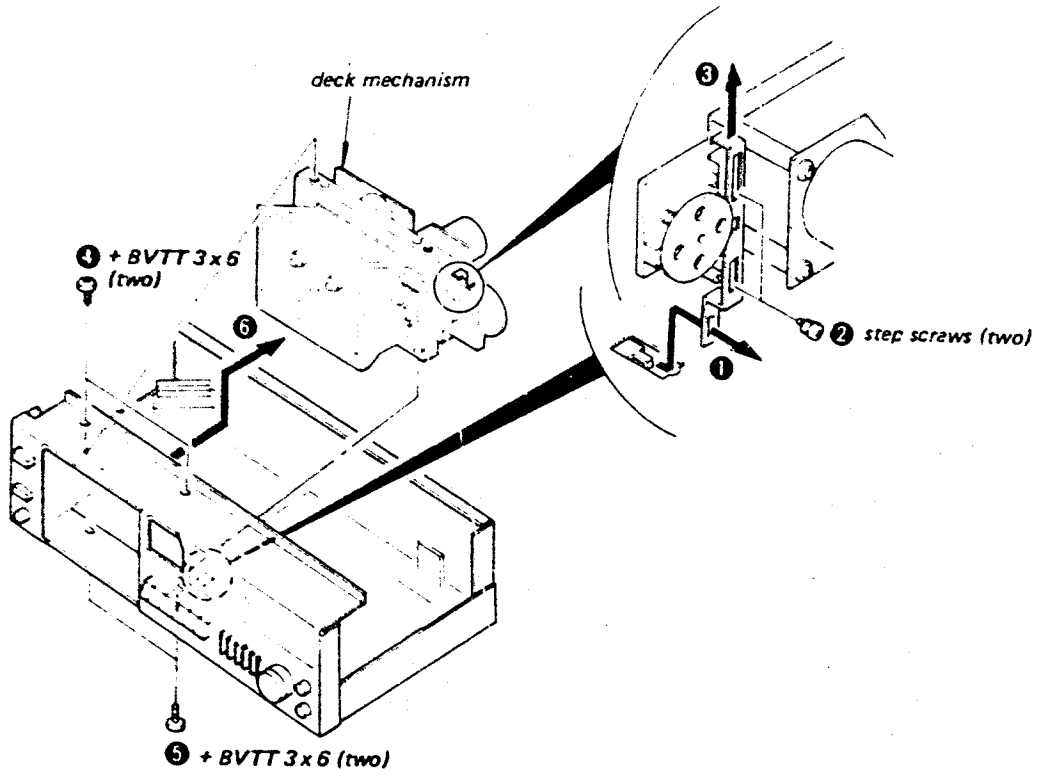
- 1 Insert a screwdriver between the protrusion part of the meter panel and the sub-panel, raise the protrusion part of the meter panel and remove the meter panel.
- 2 While pushing the claw of the meter panel, pull out the meter panel.

- 7 (to release scale from right-side edge of holder)

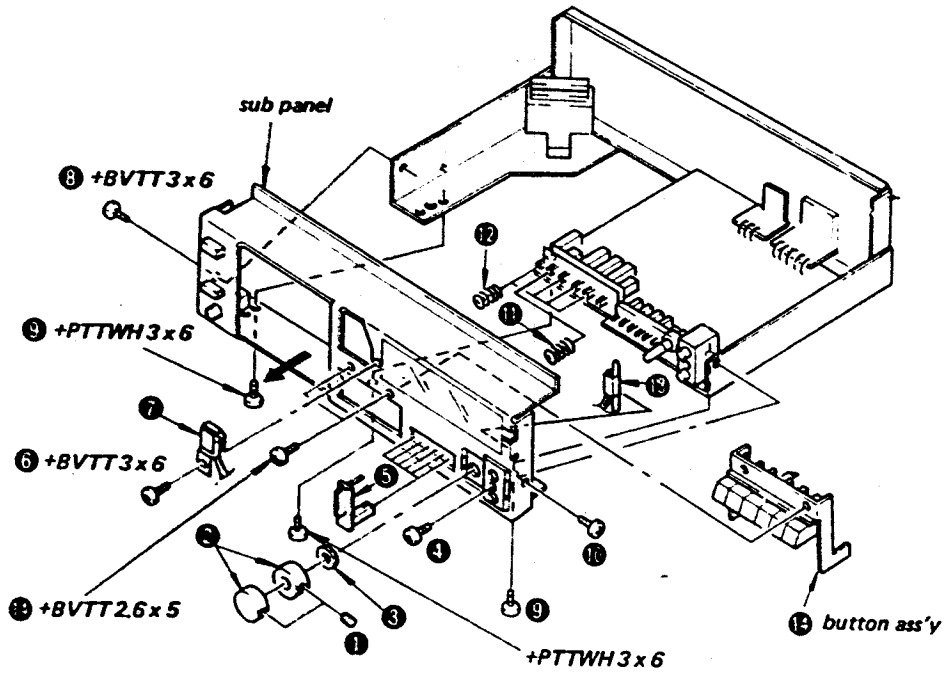
- 6 Release scale from this protrusion.



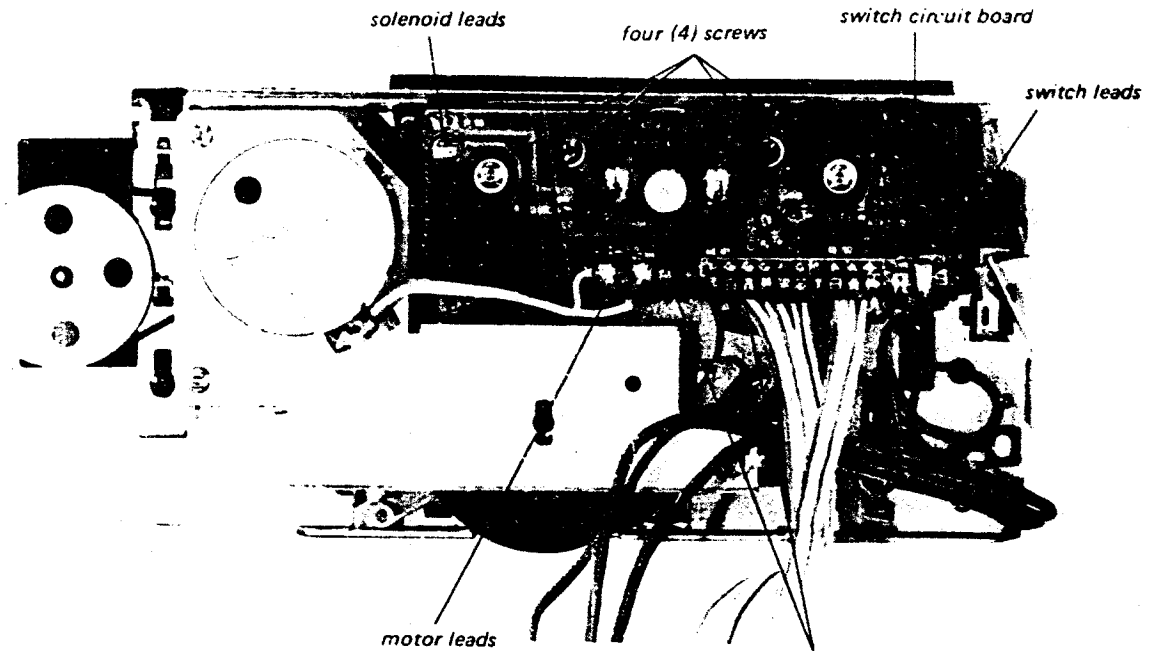
DECK MECHANISM



SUBPANEL AND BUTTON ASSY

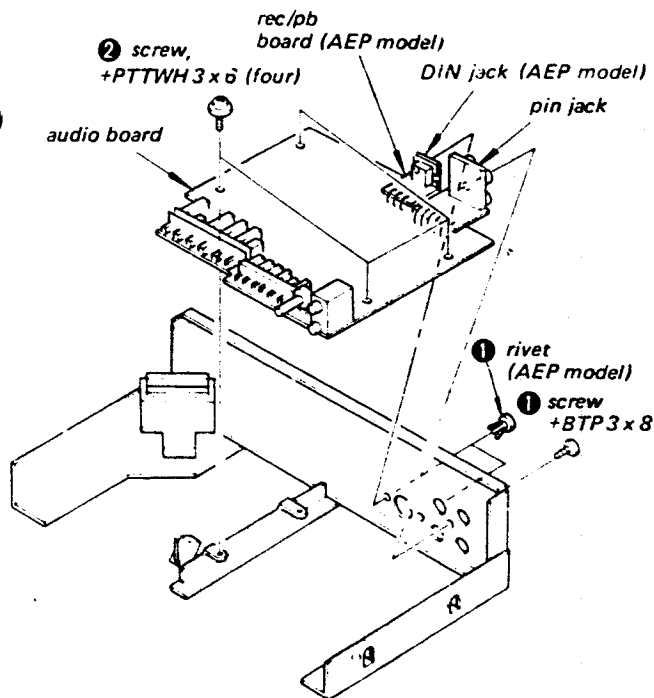


SWITCH CIRCUIT BOARD

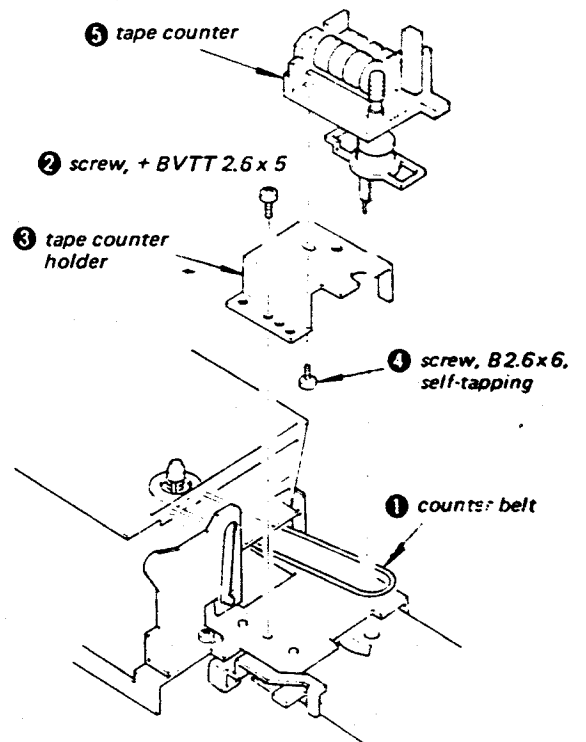


Note: Solder the terminals of the reel motor after the installations of the reel-motor holder and switch-circuit board. Otherwise circuit-board position may be displaced.

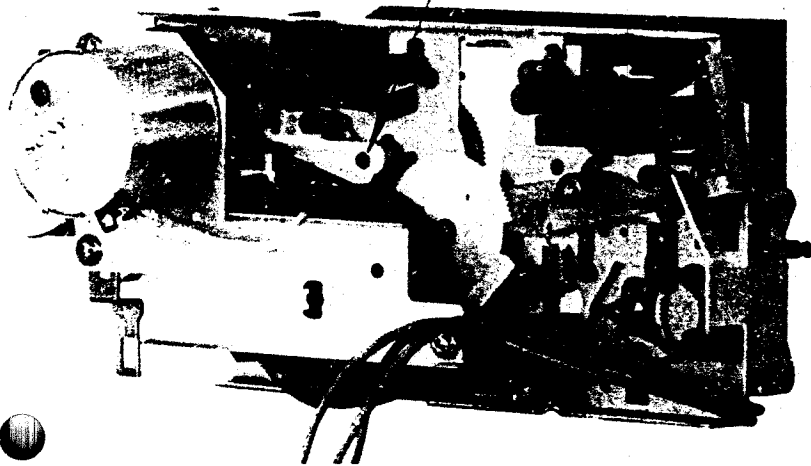
AUDIO AND PIN-JACK BOARDS



TAPE COUNTER

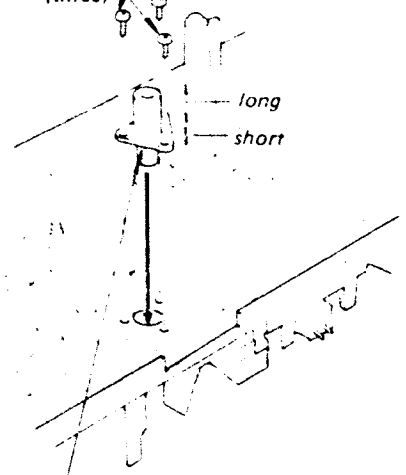


No retaining ring required.
Edge of lever is retained by
edge of capstan-motor holder.



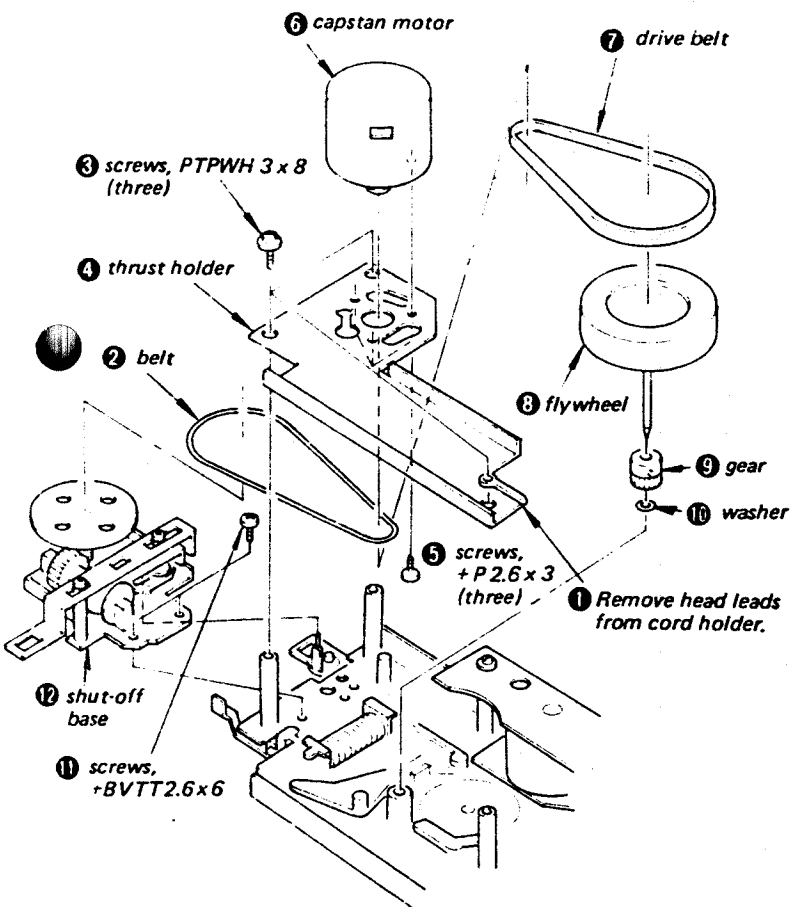
**THRUST BEARING
INSTALLATION**

screws, + BVTT 2.6 x 6
(three)

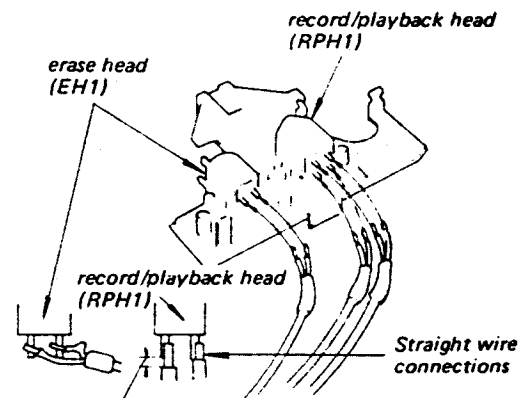


Grounding wire should
place this side.

CAPSTAN MOTOR, FLYWHEEL AND SHUT-OFF BASE



HEAD CORDS CONNECTION



No clearance to sleeving
should exist.

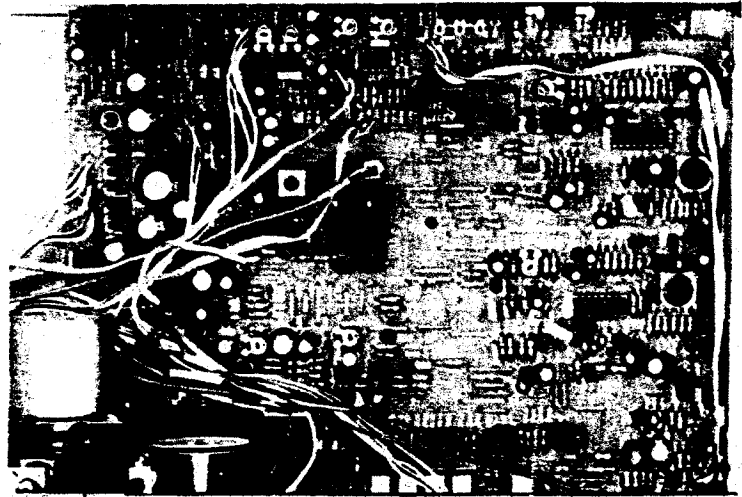
SECTION 3
ADJUSTMENTS

3-1. MECHANICAL ADJUSTMENTS

PRECAUTION

1. Clean the following parts with a denatured-alcohol-moistened swab

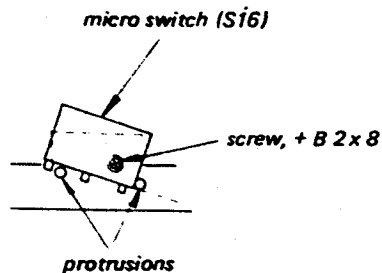
record playback head	pinch roller
erase head	rubber belts
capstan	idlers
2. Demagnetize the record playback head with a head demagnetizer.
3. Do not use a magnetized screwdriver for the adjustments.
4. After the adjustments, apply suitable locking compound to the parts adjusted.
5. The adjustments should be performed with the rated power supply voltage unless otherwise noted.



Micro Switch (S16) Positioning

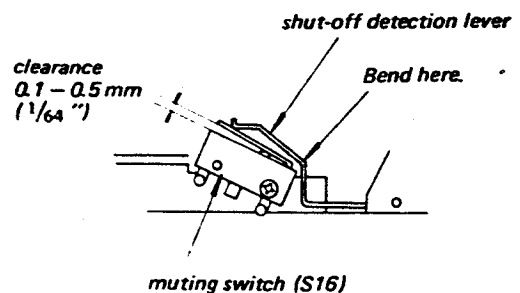
— Playback mode —

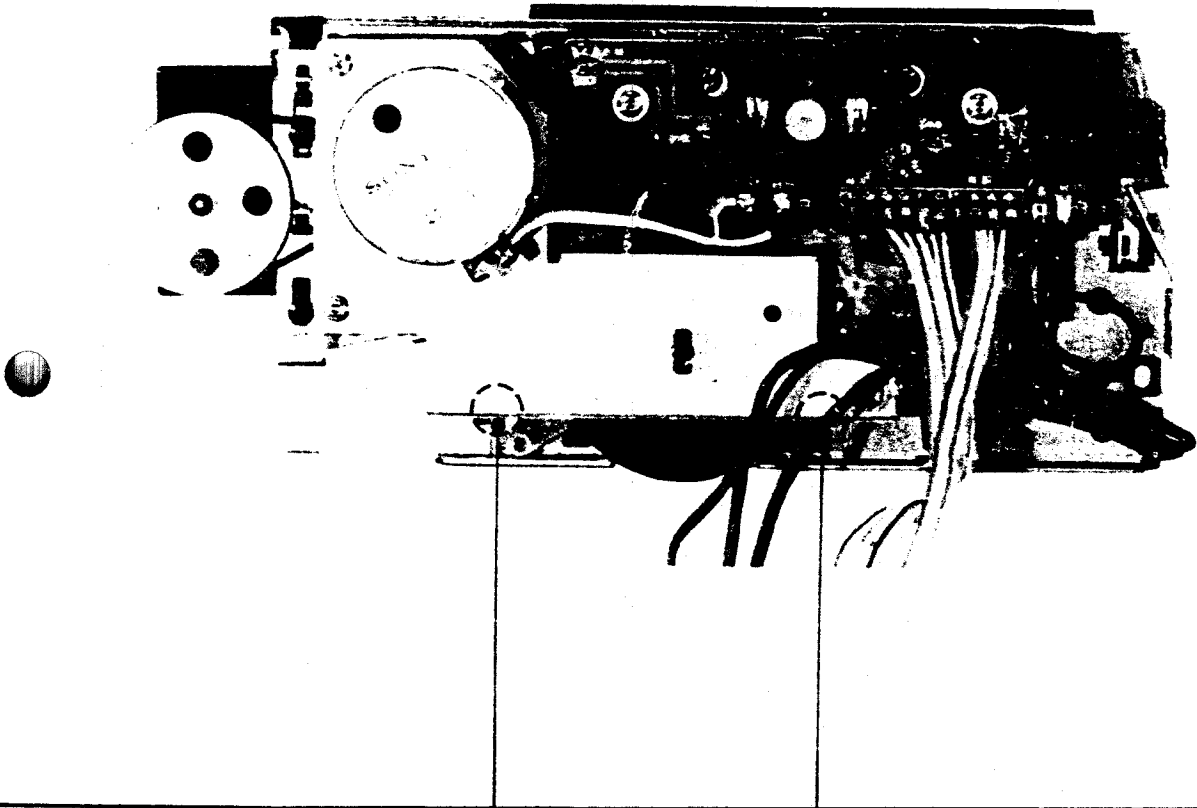
1. Install the micro switch on the chassis beam by positioning the switch with its two edges touching the two switch-positioning protrusions in the beam as shown below.



2. By bending, adjust the position of the shut-off detection lever so that the specified clearance is obtained.

After adjustment, by locking and releasing the forward button, make sure the muting switch securely turns on and off.



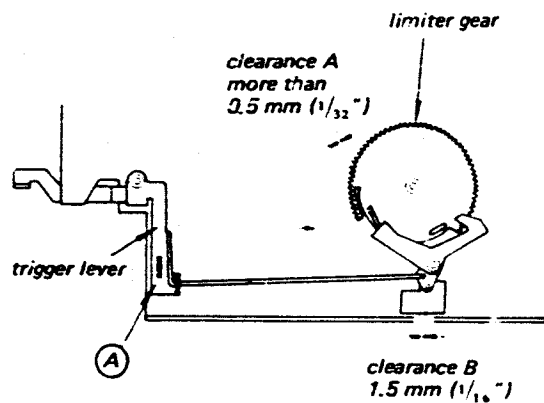


Trigger Arm Position Adjustment

— Playback mode —

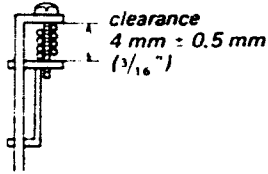
Note: This adjustment should be made with front panel installed to insure the positions of function buttons.

1. Turn the POWER on and press the forward button.
2. Adjust the position of the trigger lever by bending portion (A) so that the clearance A is satisfied.
3. Turn the POWER off.
4. Fully press the forward button and make sure the clearance B exists.

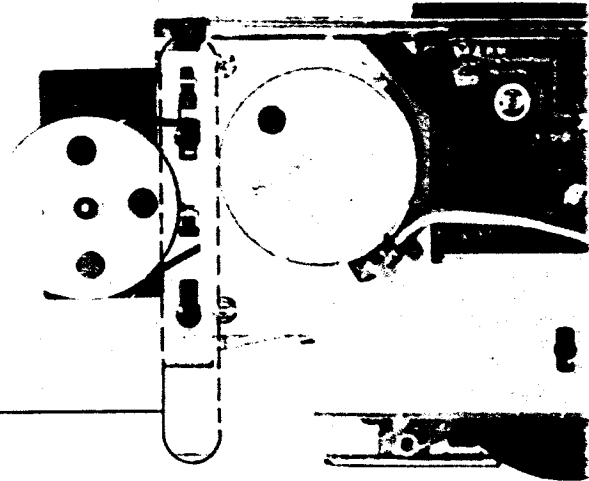
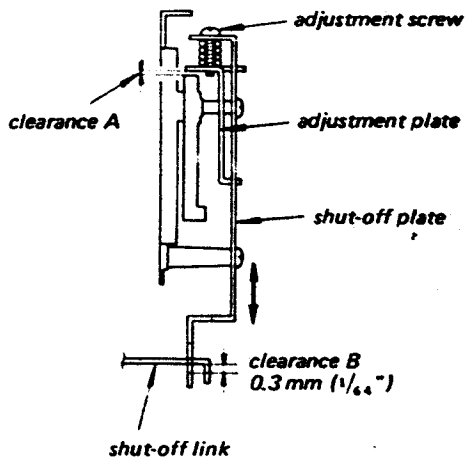


Shut-off Link Position Adjustment

Note: When the adjustment plate or adjustment link is replaced, assemble them first so that the clearance between the tops of them becomes in $4\text{ mm} \pm 0.5\text{ mm}$.



1. Make sure that clearance A exists in stop mode.
2. Lock the forward button. Adjust the adjustment screw so that the clearance B becomes in 0 (zero) mm.
3. Tighten the adjustment screw $3/4$ turns so that the clearance B becomes in 0.3 mm ($1/64$ ").
4. Lock the record and forward buttons simultaneously (i.e., record mode) and make sure the clearance B is more than 0.2 mm .
5. After the adjustment, lock the top and bottom of the adjustment screw with screw-locking paint.



3.2. ELECTRICAL ADJUSTMENTS

Note: The adjustment should be performed in the order given in this service manual. The adjustments should be performed for both L-CH and R-CH.

- Set the TAPE switches according to the tape as follows.

Tape	TAPE switch
CS-10	TYPE I
CS-20	TYPE II
CS-30	TYPE III
CS-40	TYPE IV

- Switches and controls should be set as follows unless otherwise specified.

DOLBY NR switch: OFF
 TAPE switch: TYPE I

- Standard Record:
 Deliver the standard input signal level to the input jack and set the REC LEVEL control to obtain the standard output signal level.

Standard Input Level

	MIC	LINE IN
source impedance	300 Ω	10 kΩ
input level	0.77 mV (-60 dB)	0.25 V (-10 dB)

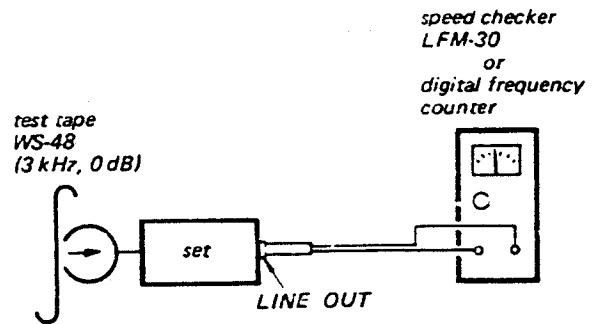
Standard Output Level

	HEAD-PHONES	LINE OUT
load impedance	8 Ω	47 kΩ
output level	39 mV (-26 dB)	0.44 V (-5 dB)

Tape Speed adjustment

Procedure:

Mode: playback

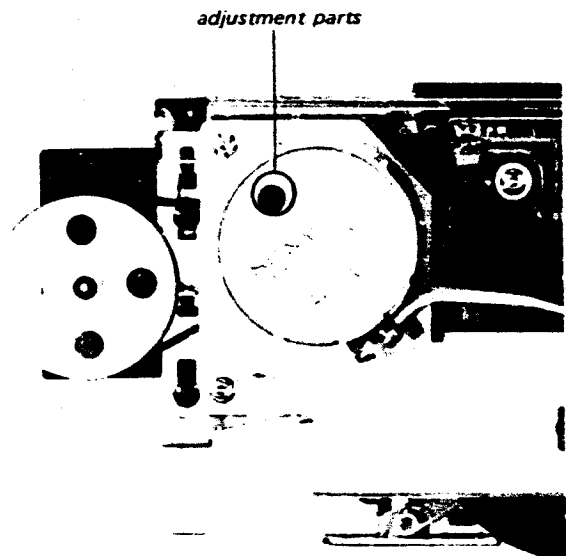


Specification:

Speed checker	Digital frequency counter
-0.17 ~ +0.17%	2,995 ~ 3,005 Hz

Frequency difference between the beginning and the end of the tape should be within 0.34% (10 Hz).

Adjustment Location:

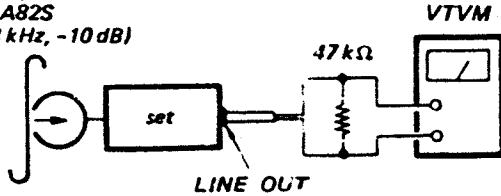


Record/playback Head Azimuth Adjustment

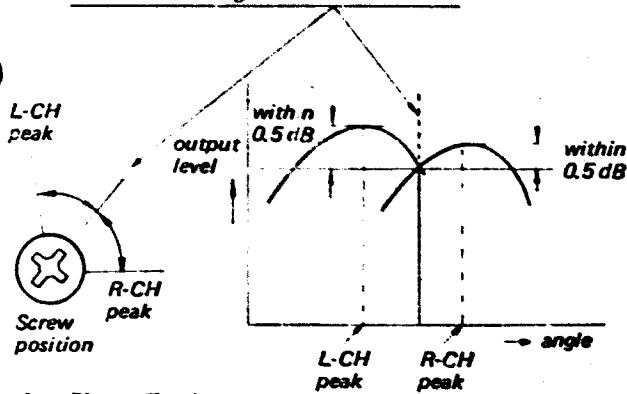
Procedure:

1. Mode: playback

test tape
P-4-A82S
(6.3 kHz, -10 dB)

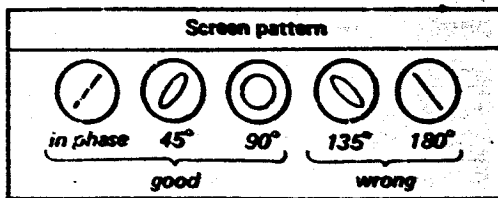
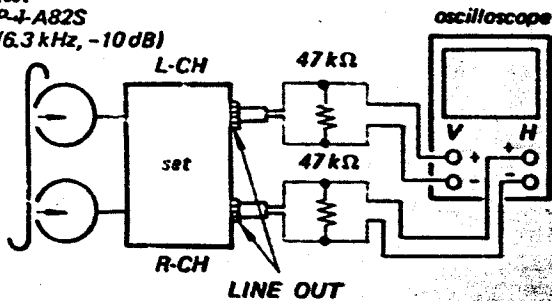


2. Turn the adjustment screw for the maximum output levels. If these levels do not match, turn the adjustment screw until both of output levels match together within 0.5 dB.

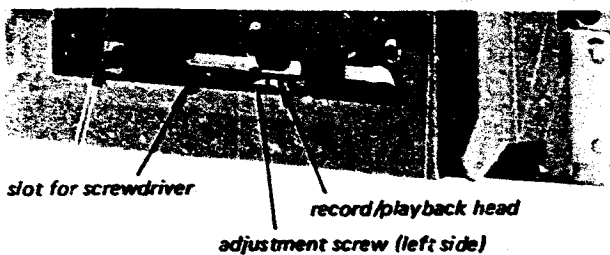


3. Phase Check
Mode: playback

test
P-4-A82S
(6.3 kHz, -10 dB)



Adjustment Location:



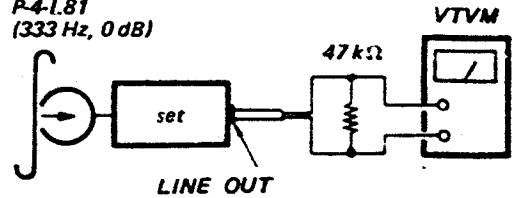
Playback Level Adjustment

Procedure:

- Mode: playback

For Service Manuals
MAURITRON SERVICES
8 Cherry Tree Road, Chinnor
Oxfordshire, OX9 4QY.
Tel (01844) 351694
Fax (01844) 352554
email: mauritron@dial.pipex.com

test tape
P-4-L81
(333 Hz, 0 dB)



Specification:

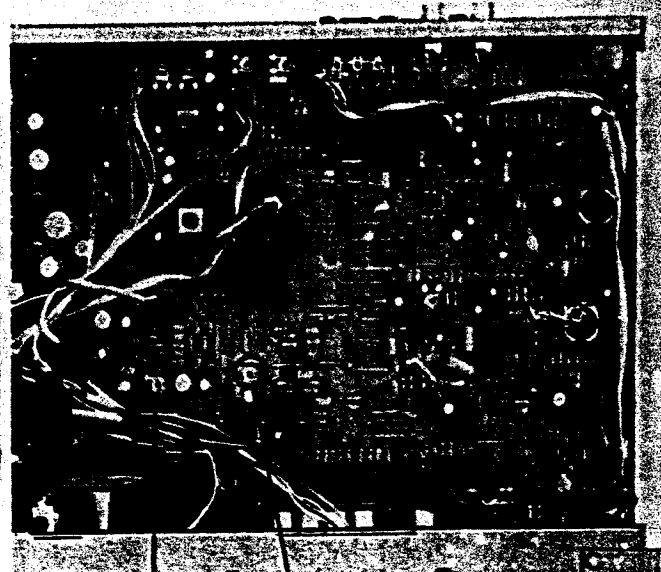
LINE OUT level: 0.52 ~ 0.59 V
(-3.5 ~ -2.5 dB)

Level difference between channels:
less than 0.5 dB

Check that the LINE OUT level does not change in playback mode while changing the mode from playback to stop several times.

Adjustment Location:

- audio board -



RV102
(L-CH)

RV202
(R-CH)

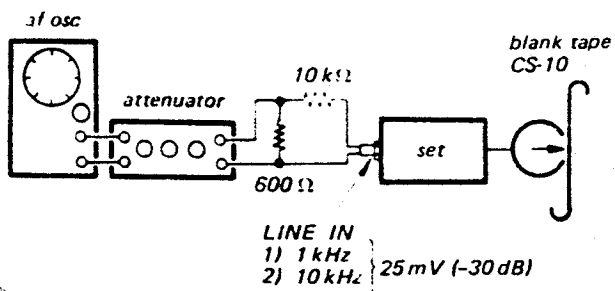
Record Bias Adjustment

Setting:

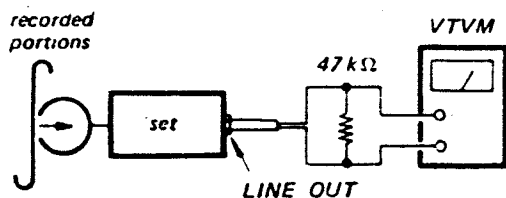
REC LEVEL control: standard record
(See page 13)

Procedure:

1. Mode: record



2. Mode: playback

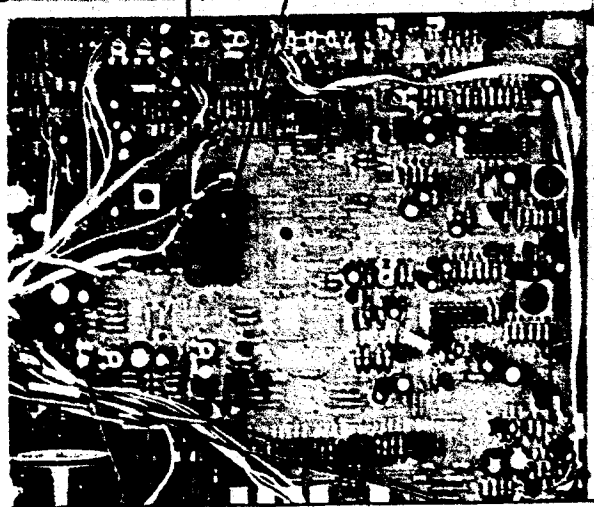


Adjust CT101 (L-CH) and CT201 (R-CH) so that the LINE OUT level of 10 kHz signal is 0 dB relative to that of 1 kHz.

Adjustment Location:

— audio board —

CT101 (L-CH) CT201 (R-CH)



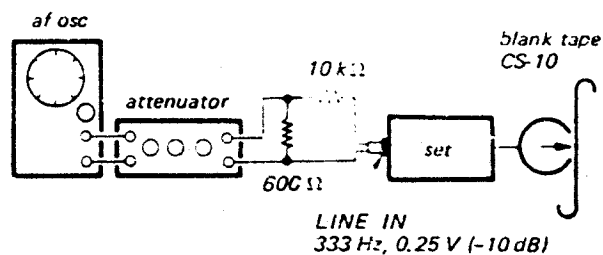
Record Level Adjustment

Setting:

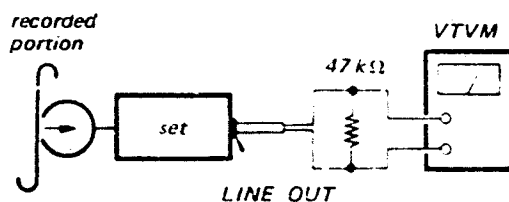
REC LEVEL control: standard record
(See page 13)

Procedure:

1. Mode: record



2. Mode: playback



Specification:

LINE OUT level: 0.41 ~ 0.46 V
(-6.5 ~ -3.5 dB)

Adjustment Location:

— audio board —

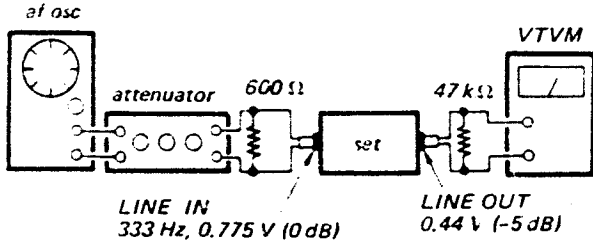
RV203 (R-CH) RV103 (L-CH)



Level Meter Calibration

Procedure:

1. Mode: record



1. Set the REC LEVEL control so that the LiNE OUT level is -5 dB.
2. Adjust RV104 (L-CH) and RV204 (R-CH) so that the LEVEL METER reads 0 VU \pm 0.5 dB. Make sure that the level difference between both channels is 0.5 VU or less.

Adjustment Location:

- audio board -

RV204
(R-CH)

RV104
(L-CH)

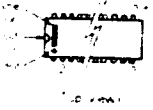


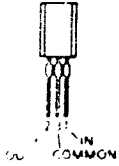




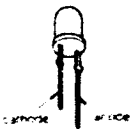


SECTION 4 DIAGRAMS

A

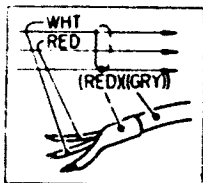
B

● Semiconductor Lead Layouts:

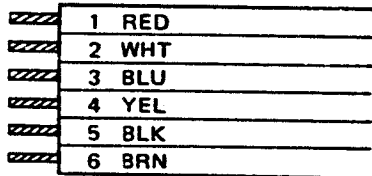
<p>CX174 μPC4557C</p> 	<p>2SA952</p> 	<p>2SB734</p> 
<p>TA78L010AP</p> 	<p>2SB548</p> 	<p>1S1555 10E2 HZ6B1L</p> 
<p>2SD1027R 2SD1012</p> 	<p>2SC1345 2SC1364</p> 	<p>SLP131B</p> 

Note:

- Color code of sleeving over the end of the jacket.



- Standard six-wire (maximum) flat cable arrangement.



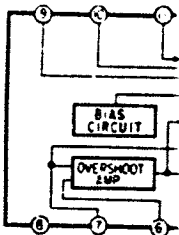
- — : parts extracted from the component side.
- — : parts extracted from the conductor side.
- [] : indicates side identified with part number.
- B+ pattern

- — : signal path
- — : L-CH signal path
- — : R-CH signal path

4-1. MOUNTING DIAGRAM

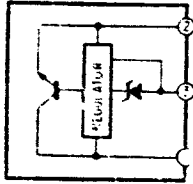
— Conductor Side —

1
2
3
4
5

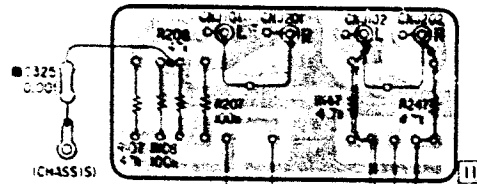


G	102			104	105	205	
IC	101	202	IC101	IC201		204	303
D		201					312

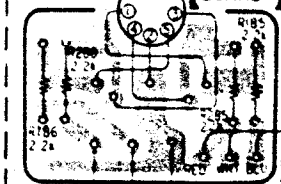
IC901 TA7801P



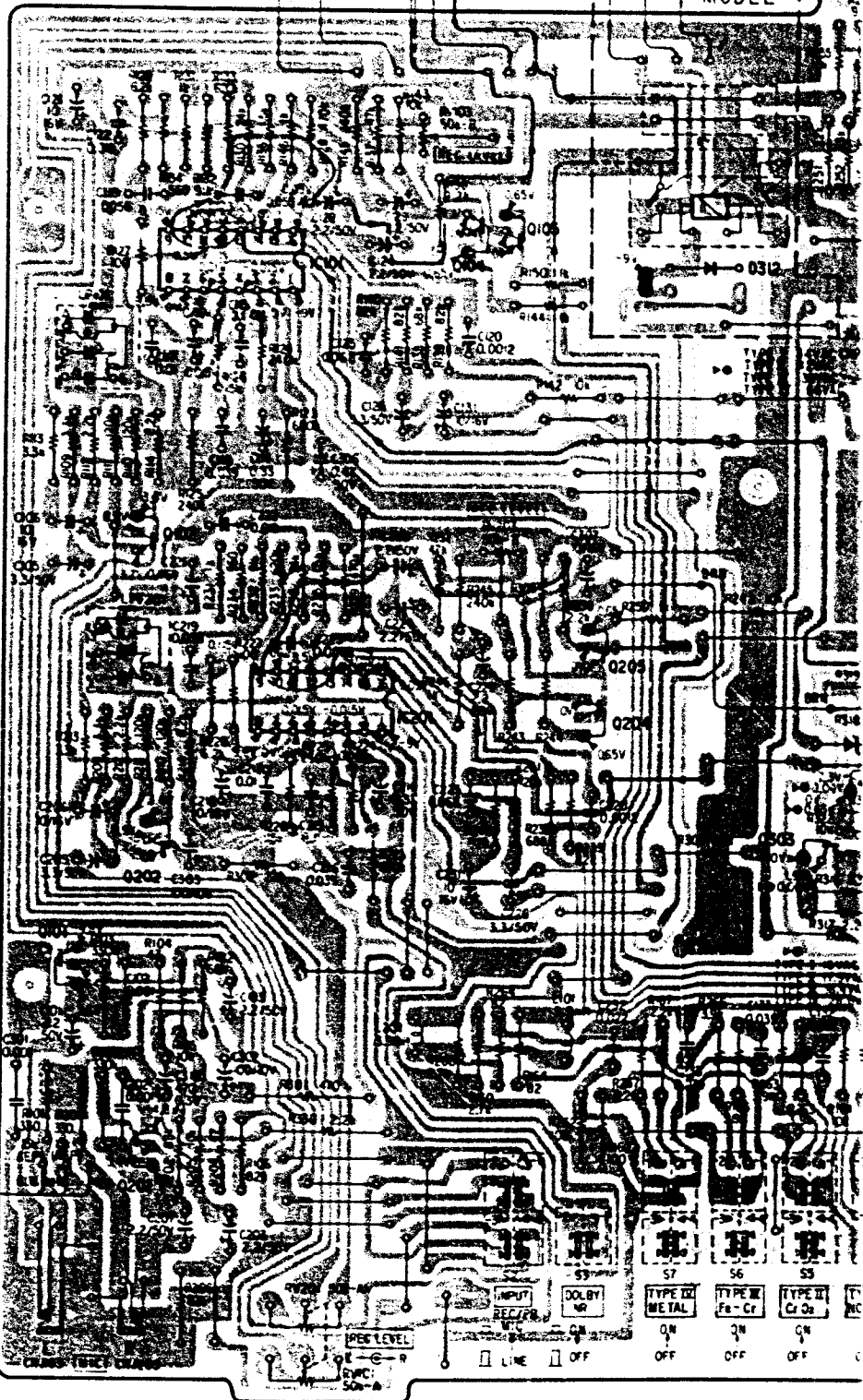
[PIN JACK BOARD]



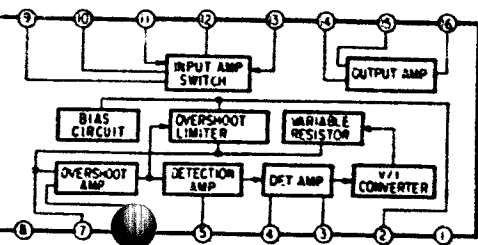
REC/PB BOARD



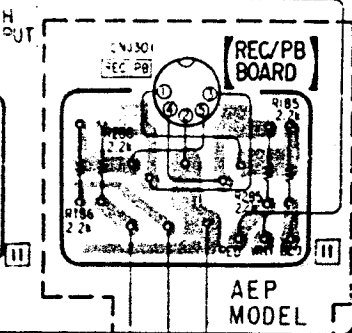
[AMP BOARD]



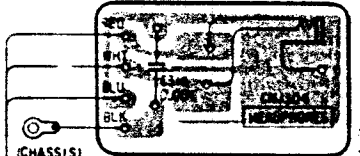
IC101, 201 CX174-2



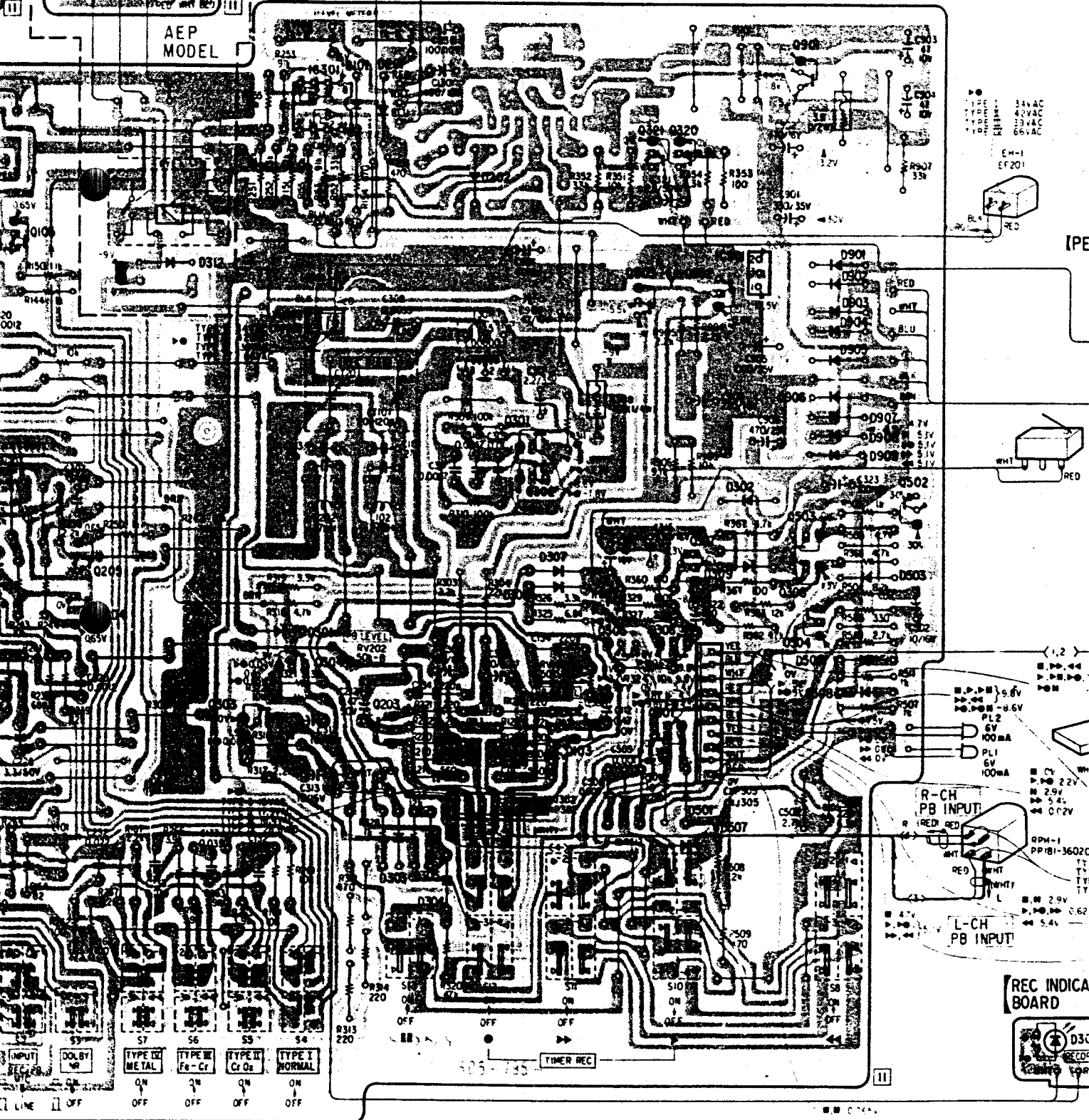
105	205	IC301		203	301	302	103	305	321	320	903	306	307	902	IC901	901	503	504	502	
204	303	304	101	201	202	307	306	501	501	302	901	902	903	904	905	906	503	508	502	
312	301	303	305	304	306	501	507	309	901	902	903	904	905	906	907	908	909	503	509	508



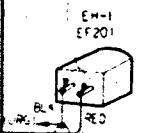
[HEADPHONES BOARD]



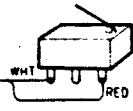
AEP MODEL



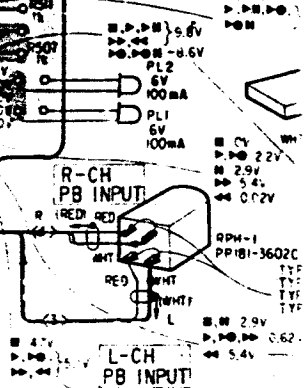
- 34VAC
- 42VAC
- 33VAC
- 66VAC



(PE



(1,2)

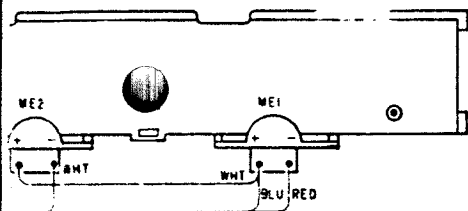


[REC INDICA BOARD]

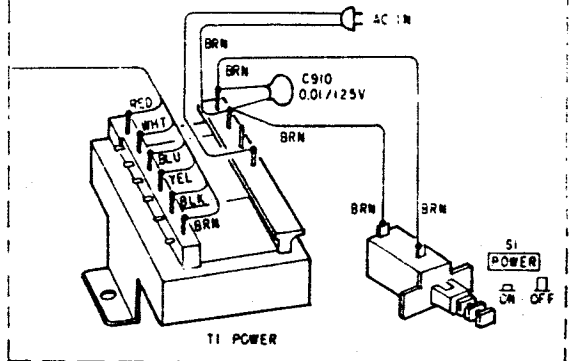


1001

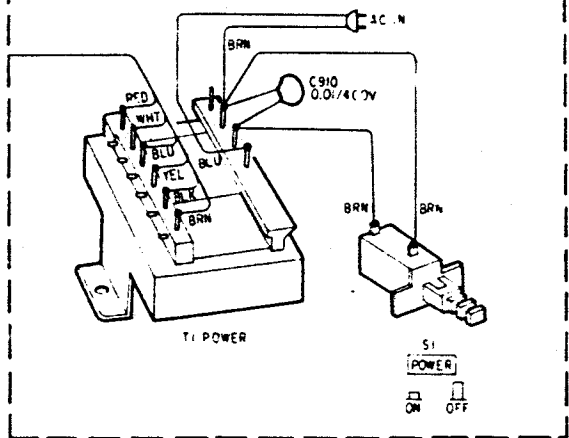
2
10
0



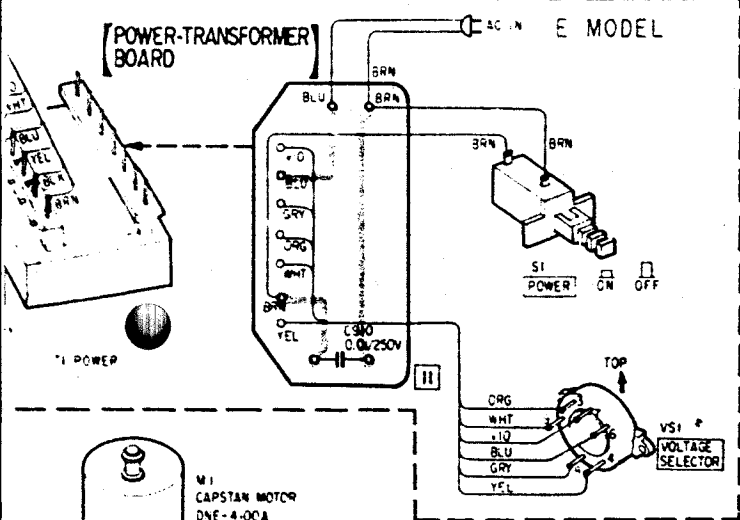
US, CANADIAN MODEL



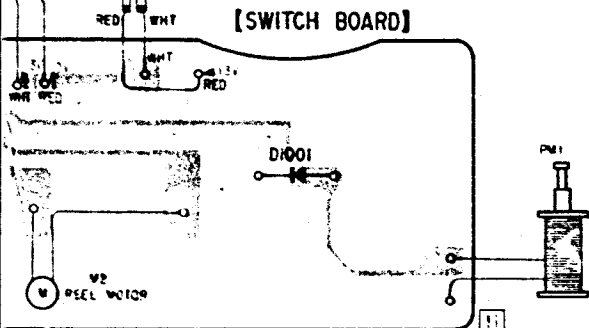
AEP MODEL



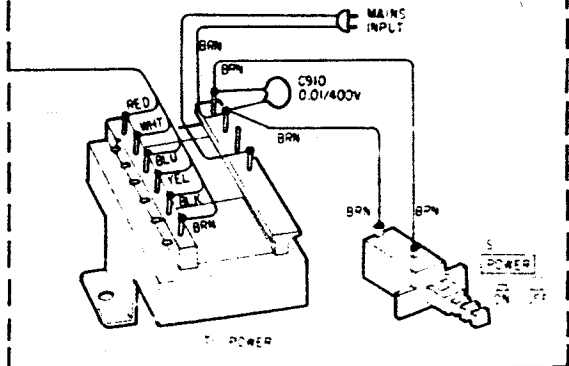
[POWER-TURNER BOARD] E MODEL



[SWITCH BOARD]



UK MODEL



A

B

C

D

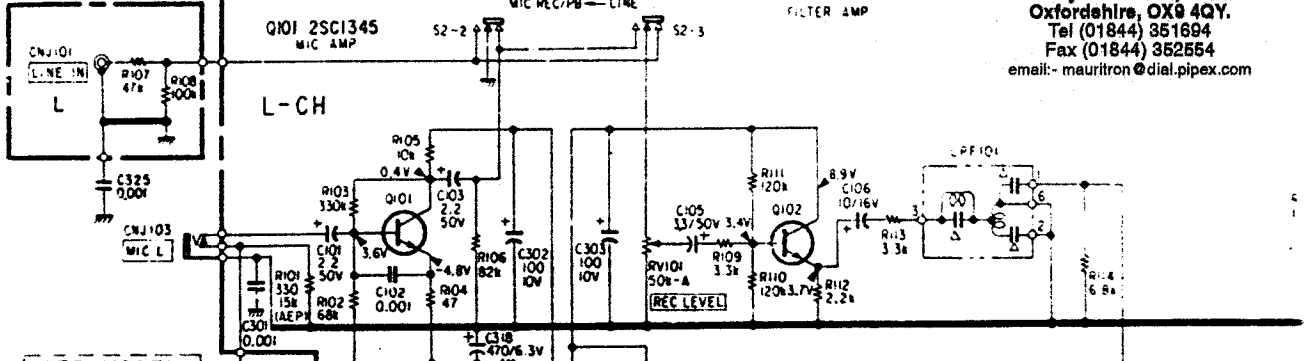
4-2. SCHEMATIC DIAGRAM

[(1/4)PIN JACK BOARD]

[AUDIO BOARD]

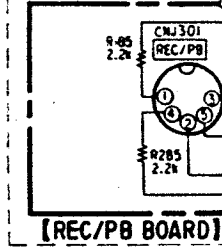
For Service Manuals
MAURITRON SERVICES
8 Cherry Tree Road, Chinnor
Oxfordshire, OX9 4QY.
Tel (01844) 351694
Fax (01844) 352554
email: mauritron@dial.pipex.com

1



2

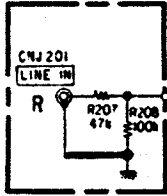
AEP MODEL



[REC/PB BOARD]

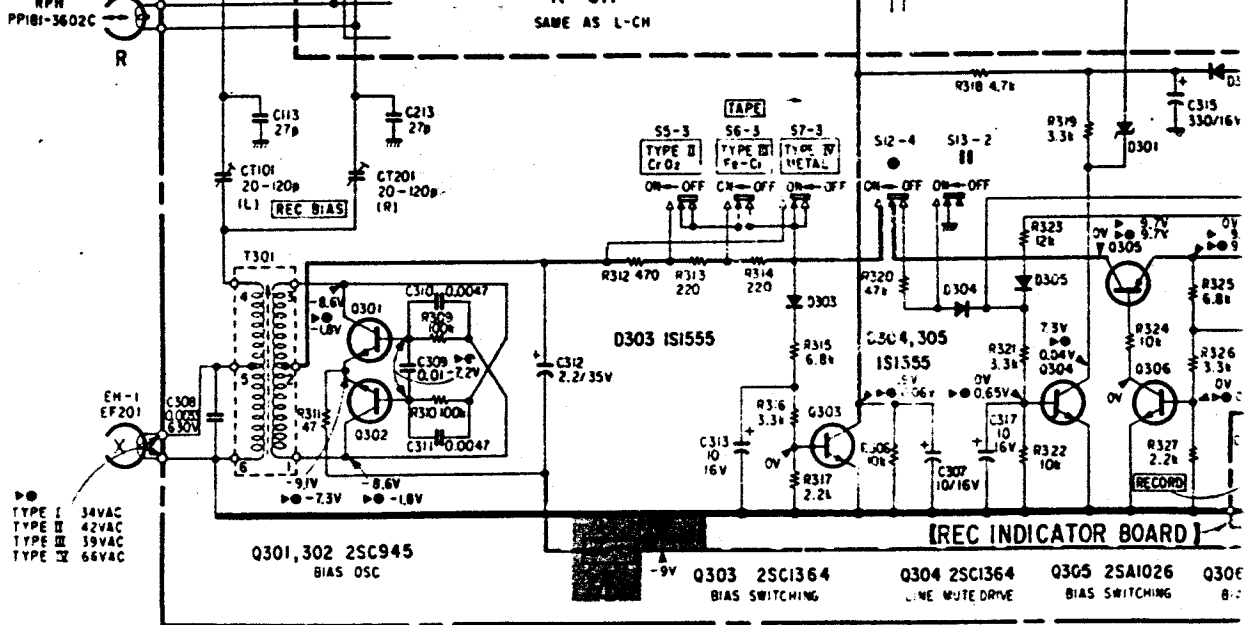
3

[(1/4)PIN JACK BOARD]



R-CH
SAME AS L-CH

4

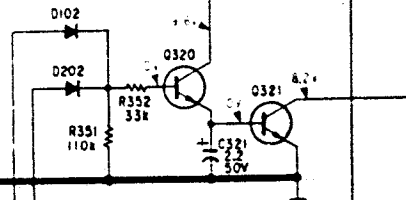
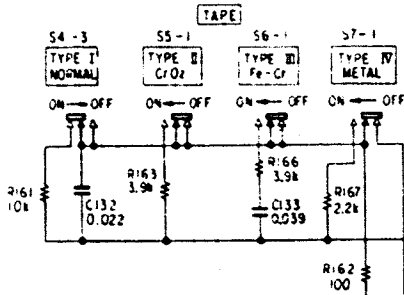


5

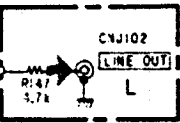
●● TYPE I 15VAC
 TYPE II 17.5VAC
 TYPE III 16.4VAC
 TYPE IV 28.6VAC

●● TYPE I 34VAC
 TYPE II 42VAC
 TYPE III 39VAC
 TYPE IV 66VAC

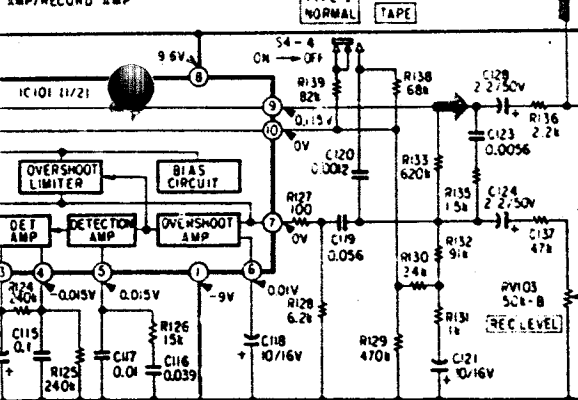
0102, 202 IS1555 Q320, 321 25C1364
LED DRIVE



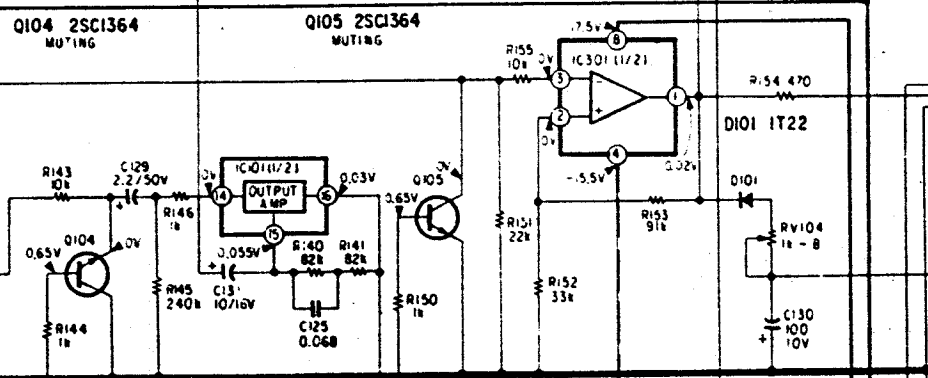
[(1/4)PIN JACK BOARD]



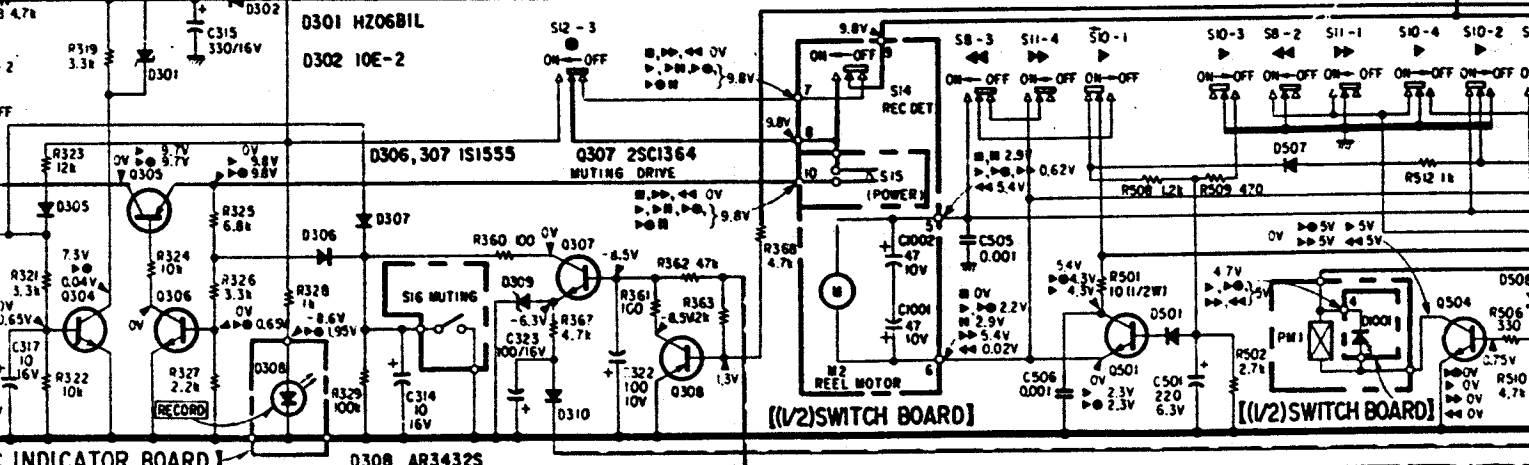
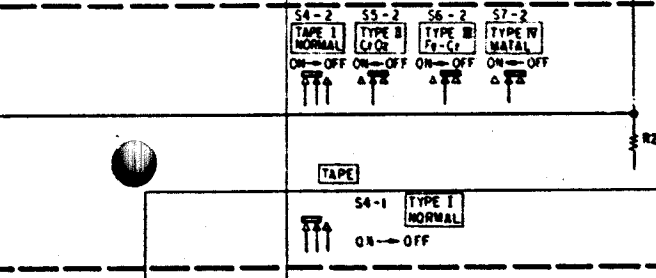
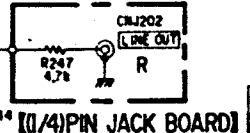
101 CX174-2
AMP/RECORD AMP



IC301 μ PC4557C
HEADPHONE AMP



[(1/4)PIN JACK BOARD]



INDICATOR BOARD D308 AR3432S

C1364 Q305 25A1026 Q306 25C1364 D309 HZ6C3L D310 IS1555 Q308 25A1026 D507-509 IS1555 Q501 25D1012 D501, 100A IS1555 Q504 25D1012 Q5

DRIVE BIAS SWITCHING BIAS MUTE MUTING REEL MOTOR DRIVE SOLENOID DRIVE

F

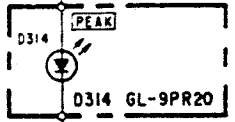
G

H

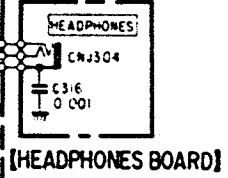
I

D102,202 1S1555 Q320,321 2SC1364 LED DRIVE

[PEAK LED BOARD]

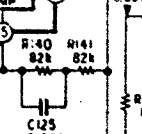


IC301 μPC4557C HEADPHONE AMP

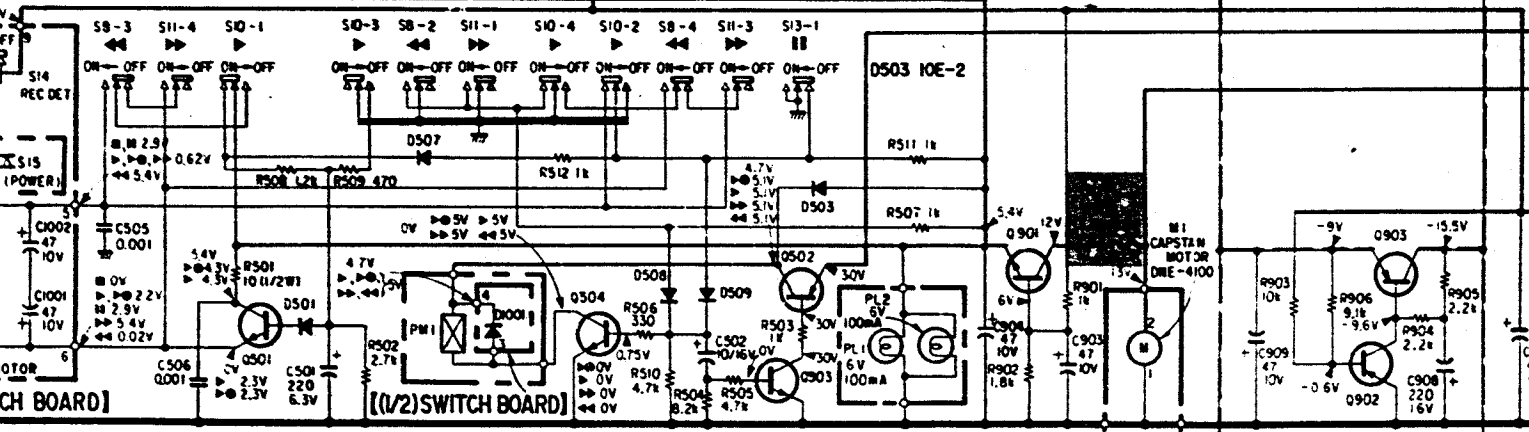


Q105 2SC1364 MURING

PUT MP



ARD]



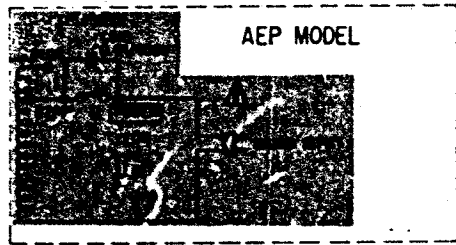
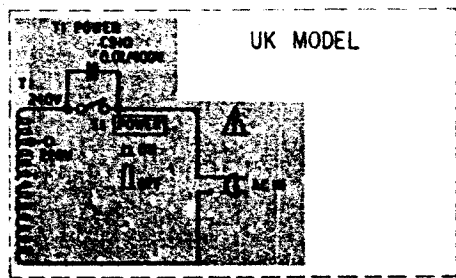
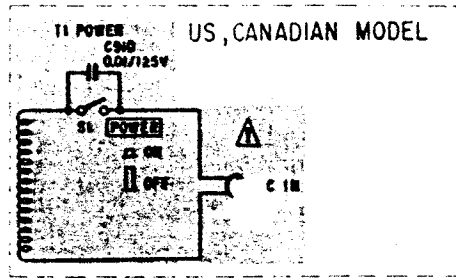
Q501 2SD1012 REEL MOTOR DRIVE D501, D508 1S1555 Q504 2SD1012 SOLENOID DRIVE Q502 2S8734 SOLENOID DRIVE Q503 2SC1364 SOLENOID CONTROL Q901 2SD209 REG Q902 2SA1026 REG Q903 2S...

I

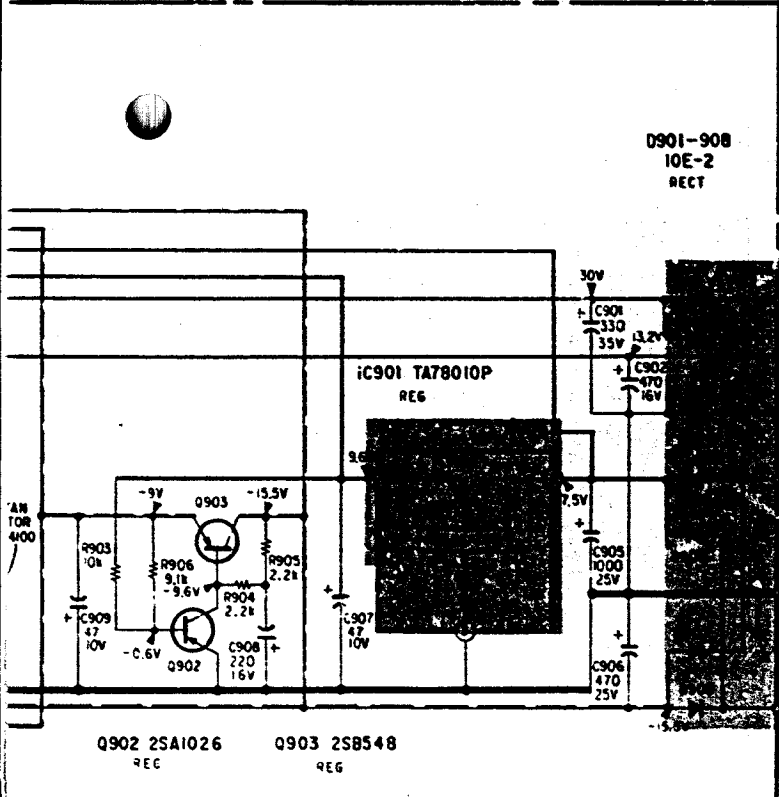
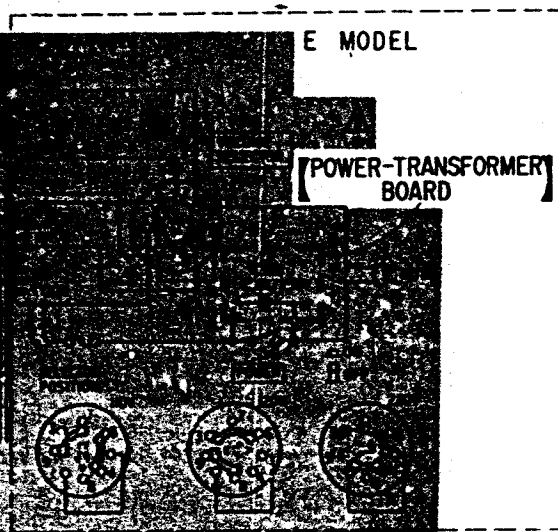
J


K


L






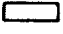










0901-908
10E-2
RECT



Note: The components identified by shading and mark  are critical for safety. Replace only with part number specified.

Note: Les composants identifiés par une trame et une marque  sont critiques pour la sécurité. Ne remplacer que par une pièce portant le numéro spécifié.

Note:

-  : signal path
- All capacitors are in μF unless otherwise noted. pF: μpF
50WV or less are not indicated except for electrolytics and tantalums.
- All resistors are in ohms, $\frac{1}{4}$ W unless otherwise noted.
k Ω : 1000 Ω , M Ω : 1000 k Ω
-  : nonflammable resistor.
-  : fusible resistor.
-  : adjustment for repair.
-  : B+ bus.
-  : B- bus.
- Readings are taken under no-signal conditions with a VOM (50 k Ω /V).
no mark: STOP
-  : STOP
-  : FWD
-  : REW
-  : FF
-  : REC
-  : PAUSE
-  : FWD PAUSE
-  : REC PAUSE

• Switch

Ref. No.	Switch	Position
S1	POWER	OFF
S2	INPUT	MIC -
S3	DOLBY NR	OFF
S4	TYPE I	OFF
S5	TYPE II	OFF
S6	TYPE III	OFF
S7	TYPE IV	OFF
S8	REWIND	OFF
S9	STOP	OFF
S10	FORWARD	OFF
S11	FAST FORWARD	OFF
S12	RECORD	OFF
S13	PAUSE	OFF
S14	ERASURE PREVENTION	OFF
S15	POWER	OFF
S16	MUTING	OFF

DEL

EL

-TRANSFORMER BOARD

SECTION 5
EXPLODED VIEWS & PARTS LIST

A

B

C

D

(1)

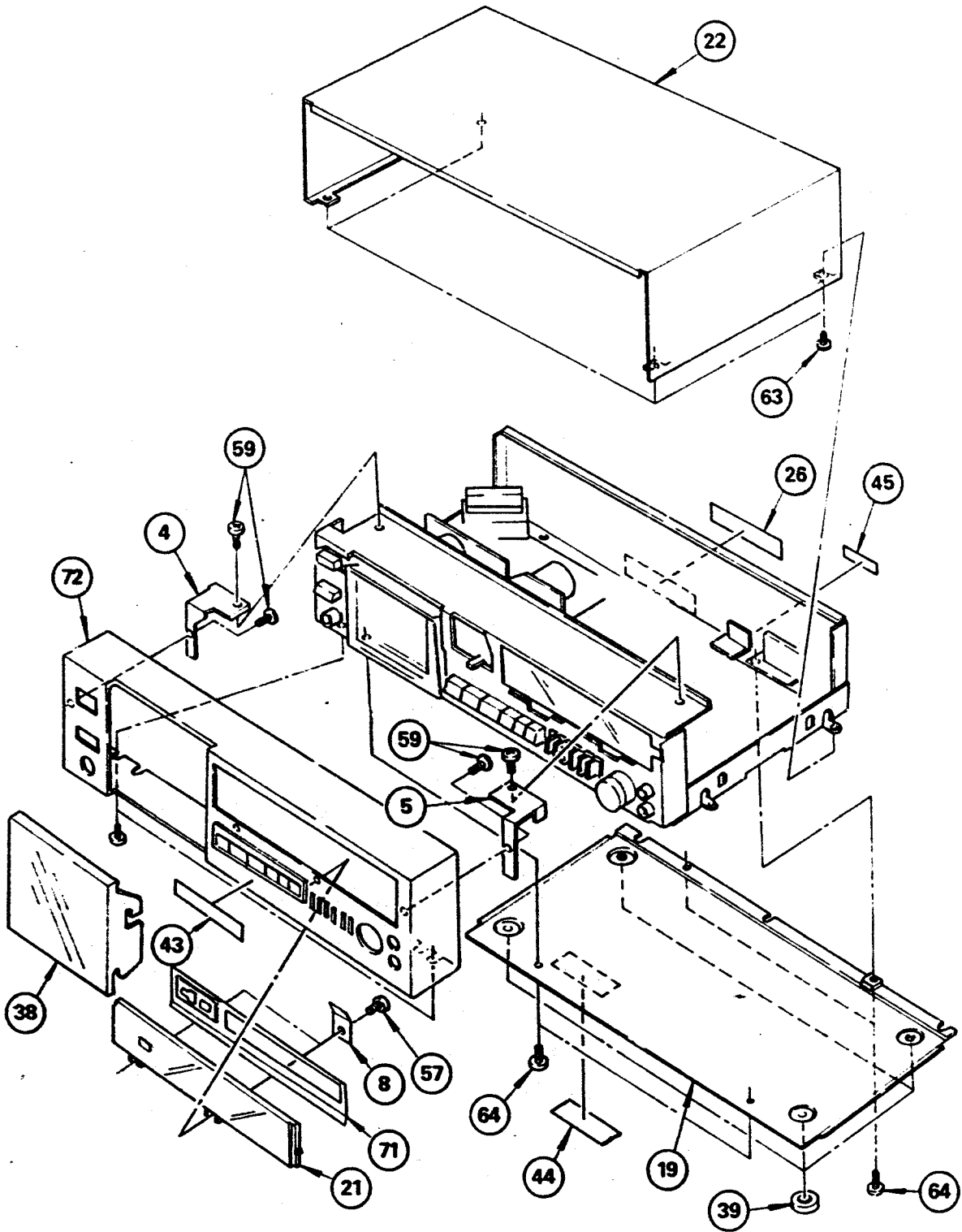
1

2

3

4

5



A

B

C

D

(2)

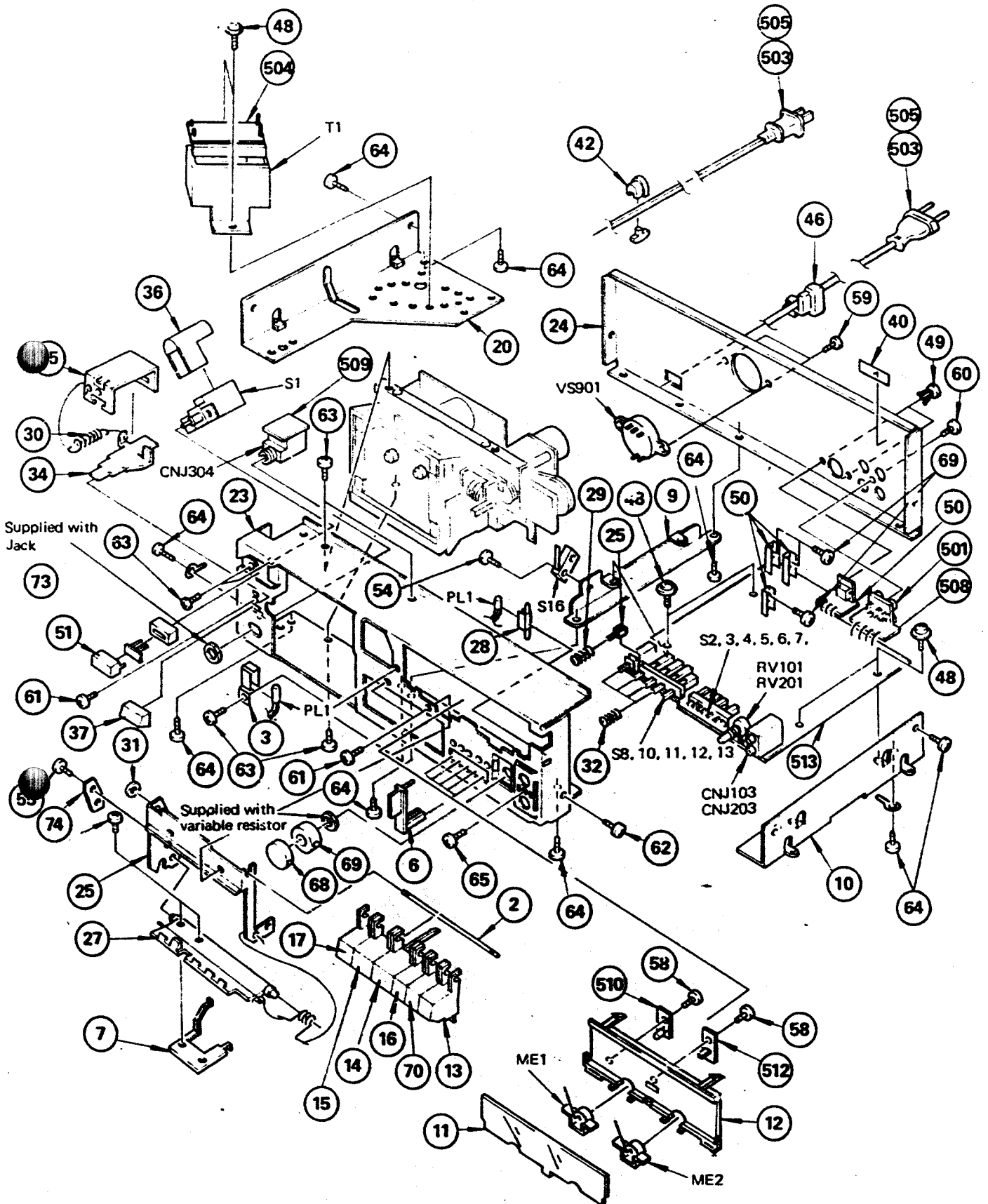
1

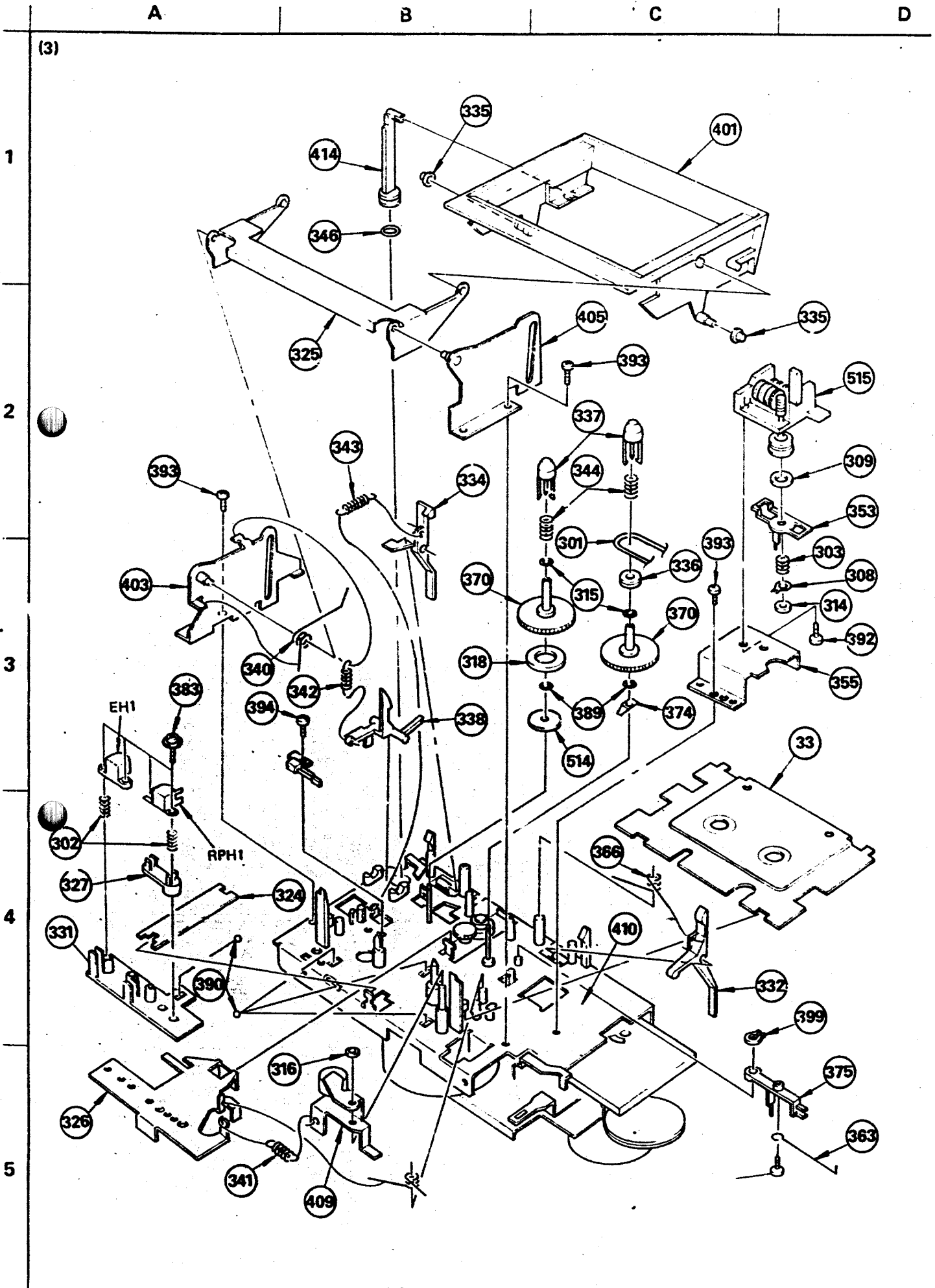
2

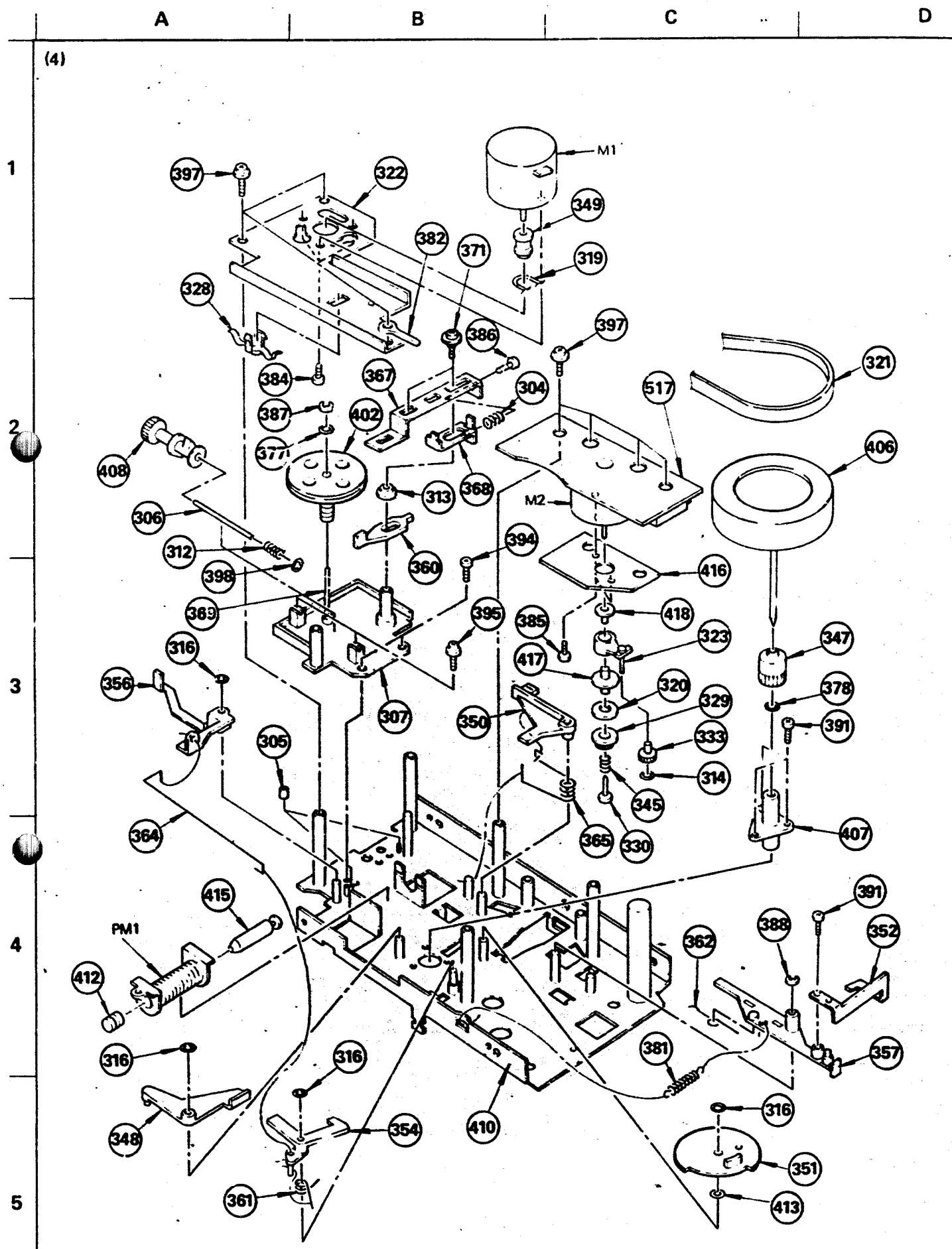
3

4

5







For Service Manuals
MAURITRON SERVICES
 8 Cherry Tree Road, Chinnor
 Oxfordshire, OX9 4QY.
 Tel (01844) 351694
 Fax (01844) 352554
 email:- mauritron@dial.pipex.com

GENERAL SECTION

No.	Part No.	Description
1	0-488-226-00	SPRING
2	▲;3-302-001-00	SHAFT, BUTTON, CONTROL
3	▲;3-302-004-00	HOLDER, LAMP
4	▲;3-302-005-00	BRACKET (L), PANEL
5	▲;3-302-006-00	BRACKET (R), PANEL
6	3-302-007-01	KNOB, SELECT, TAPE
7	▲;3-302-011-00	PLATE, SHUT-OFF
8	3-302-012-00	BRACKET, COVER, METER
9	▲;3-302-013-00	PLATE, RELAY
10	▲;3-302-014-00	PLATE, SIDE, RIGHT
11	3-302-016-00	ILLUMINATOR
12	3-302-017-00	ESCUTCHEON, METER
13	3-302-019-01	BUTTON, PAUSE
14	3-302-020-01	BUTTON, FWD
15	3-302-021-01	BUTTON, STOP
16	3-302-022-01	BUTTON, FF
17	3-302-023-01	BUTTON, REW
18	3-302-024-00	BRACKET, BUTTON, CONTROL
19	▲;3-302-025-00	PLATE, BOTTOM
20	▲;3-302-026-00	PLATE, SIDE, LEFT
21	3-302-027-00	COVER, METER
22	3-302-028-01	COVER, TOP
23	▲;3-302-031-00	CHASSIS, AMPLIFIER
24	▲;3-302-032-00	(US, CANADIAN) PLATE, JACK
24	▲;3-302-033-00	(UK) PLATE, JACK
24	▲;3-302-034-00	(E1/E2) PLATE, JACK
24	▲;3-302-044-00	(AEP) PLATE, JACK
25	3-302-036-00	SWITCH, DUMMY
26	3-302-038-00	(AEP) LABEL, MODEL NUMBER
26	3-302-039-00	(US) LABEL, MODEL NUMBER
26	3-302-040-00	(UK) LABEL, MODEL NUMBER
26	3-302-041-00	(E1/E2) LABEL, MODEL NUMBER
27	3-302-043-00	PLATE, LOCK
28	▲;3-302-046-00	HOLDER, LAMP, SUB
29	3-302-047-00	SPRING, COMPRESSION
30	3-534-238-XX	SPRING, TENSION
31	3-558-708-21	WASHER, STOPPER
32	3-575-365-00	SPRING, COMPRESSION
33	3-575-429-01	PLATE, ORNAMENTAL
34	▲;3-575-501-00	SLIDER, EJECT
35	▲;3-575-502-00	BRACKET, EJECT
36	3-575-524-00	COVER, POWER SWITCH
37	3-575-533-00	BUTTON, EJECT
38	3-575-546-11	WINDOW, CASSETTE

GENERAL SECTION

No.	Part No.	Description
39	3-576-731-00	FELT (H)
40	3-701-030-00	LABEL, SERIAL NUMBER
41	3-701-506-01	SET SCREW, DOUBLE POINT 3X4
42	▲;3-701-682-00	(US, CANADIAN) STOPPER, CORD
43	3-701-940-01	(UK) LABEL, BEAB
44	3-703-079-21	(US, UK) LABEL, CAUTION (BACK)
45	3-703-208-01	(US, CANADIAN) LABEL, IDENTIFICATION
46	▲;3-703-244-00	(AEP, UK, E) BUSHING, CORD
47
48	3-703-249-01	SCREW, S TIGHT, -PTTWH D16
49	4-812-134-11	(AEP) RIVET, NYLON, 3.5MM
50	▲;4-861-002-11	HEAT SINK
51	4-871-322-01	CAP, POWER KNOB
52	4-871-324-00	ESCUTCHEON, POWER KNOB
53	7-621-770-87	SCREW +P 2.6X5
54	7-621-772-40	SCREW +B 2X8
55	7-621-775-15	SCREW +B 2.6X4
56	7-682-546-09	(E) SCREW +B 3X5
57	7-685-532-19	SCREW +BTP 2.6X5 TYPE2 N-S
58	7-685-544-19	SCREW +BTP 3X5 TYPE2 N-S
59	7-685-545-11	SCREW +BTP 3X6 TYPE2 N-S
60	7-685-546-11	SCREW +BTP 3X8 TYPE2 N-S
61	7-685-861-01	SCREW +BVT 2.6X5 (S)
62	7-685-870-01	SCREW +BVT 3X5 (S)
63	7-685-871-01	SCREW +BVT 3X5 (S)
64	7-685-872-04	SCREW +BVT 3X8 (S)
65	7-686-449-01	SCREW, TOTSU PS 3X10
66	9-911-837-XX	CUSHION
67	9-911-841-XX	RUBBER, PROTECTION
68	X-3302-001-1	KNOB (R) ASSY, REC
69	X-3302-002-1	KNOB (L) ASSY, REC
70	X-3302-003-1	BUTTON ASSY, REC
71	X-3302-004-1	COVER ASSY, SUB, METER
72	X-3302-005-0	(US, CANADIAN, UK, E) PANEL ASSY
72	X-3302-006-0	(AEP) PANEL ASSY
73	X-3575-502-0	KNOB ASSY, POWER
74	3-302-053-00	PLATE BUTTON-ADJUSTMENT

NOTE:

- Items with no part number and no description are not stocked because they are seldom required for routine service.
- Items marked "▲" are not stocked since they are seldom required for routine service. Some delay should be anticipated when ordering these items.
- Due to standardization, parts with part numbers (▲-▲▲▲-▲▲▲-XX or ▲-▲▲▲-▲▲▲-X) may be different from those used in the set.

CAPACITORS:

- All capacitors are in μF. Common capacitors are omitted. Refer to the following lists for their part numbers. MF:μF, PF:μμF.

RESISTORS

- All resistors are in ohms. Common 1/4W, 1/8W and 1/16W carbon resistors are omitted. Refer to the following lists for their part numbers.

F : nonflammable

COILS

- MH : mH, UH : μH

The components identified by shading and mark ▲ are critical for safety. Replace only with part number specified.

Les composants identifiés par une trame et une marque ▲ sont critiques pour la sécurité. Ne les remplacer que par une pièce portant le numéro spécifié.

ACCESSORY & PACKING MATERIAL

No.	Part No.	Description
91	1-551-734-11	CORD, CONNECTION (RK- 74A)
92	3-302-048-00	INDIVIDUAL CARTON
93	3-302-049-00	CUSHION, UPPER
94	3-302-050-00	CUSHION, LOWER
95	3-573-625-00	SHEET, POLYETHYLENE
96	3-701-630-00	BAG, POLYETHYLENE
97	3-783-654-11	MANUAL, INSTRUCTION
98	3-783-654-11	(AEP,UK,E)....MANUAL, INSTRUCTION
98	3-783-654-21	(US).....MANUAL, INSTRUCTION
99	3-793-828-11	QUESTIONNAIRE
100	3-783-654-31	(AEP).....MANUAL, INSTRUCTION (FRENCH)
100	3-783-654-41	(AEP).....MANUAL, INSTRUCTION (ITALIAN)
101	3-795-245-11	(AEP).....INSTRUCTION
102	X-3701-105-0	ROD ASSY, CLEANING, HEAD

MECHANISM SECTION

No.	Part No.	Description
301	3-143-124-XX	BELT, COUNTER
302	3-481-272-00	SPRING, COMPRESSION
303	3-535-360-00	SPRING, COMPRESSION
304	3-537-215-00	SPRING, COMPRESSION
305	3-538-051-00	RUBBER, BRAKE
306	▲;3-555-024-00	SHAFT, WORM WHEEL
307	▲;3-555-046-00	SHAFT, PULLEY
308	3-555-091-00	RETAINER (B), SPRING
309	3-555-094-00	FELT (B)
310	3-555-113-00	SPRING (R)
311	3-555-114-00	SPRING (L)
312	3-555-122-00	SPRING, COMPRESSION
313	3-555-127-00	RETAINER (D), SPRING
314	3-558-708-01	WASHER, STOPPER
315	3-558-708-11	WASHER, STOPPER
316	3-558-708-21	WASHER, STOPPER
317	
318	3-561-827-00	PLATE (A), HYSTERESIS
319	3-561-892-00	BELT, COUNTER
320	3-564-027-11	FELT, LIMITER
321	3-564-319-00	BELT, CAPSTAN
322	▲;3-575-302-00	RETAINER, THRUST
323	3-575-304-00	SHAFT, GEAR, FR
324	3-575-312-00	SPRING
325	▲;3-575-314-00	LEVER, FULCRUM, HOLDER
326	3-575-315-00	CHASSIS, HEAD
327	3-575-320-00	BASE, ADJUSTMENT, HEAD
328	3-575-321-00	RETAINER, THRUST, CAPSTAN
329	3-575-324-00	GEAR, LIMITER
330	3-575-327-00	STOPPER
331	3-575-330-00	BRACKET, HEAD
332	3-575-331-00	LEVER, DETECTION, HALF
333	3-575-332-00	GEAR, FR
334	3-575-334-00	LEVER, DETECTION, REC
335	3-575-348-00	ROLLER, GUIDE, THREADING
336	3-575-349-00	PULLEY, CB
337	3-575-350-00	CLAW, REEL TABLE
338	3-575-354-00	LEVER, LOCK
339	3-575-355-00	HOLDER, CASSETTE
340	3-575-356-00	SPRING
341	3-575-357-00	SPRING, TENSION
342	3-575-358-00	SPRING, TENSION
343	3-575-364-00	SPRING, TENSION
344	3-575-365-00	SPRING, COMPRESSION
345	3-575-368-00	SPRING, COMPRESSION

NOTE:

- Items with no part number and no description are not stocked because they are seldom required for routine service.
- Items marked "▲" are not stocked since they are seldom required for routine service. Some delay should be anticipated when ordering these items.
- Due to standardization, parts with part numbers (▲-▲▲▲-▲▲▲-XX or ▲-▲▲▲▲-▲▲▲-X) may be different from those used in the set.

CAPACITORS:

- All capacitors are in μF . Common capacitors are omitted. Refer to the following lists for their part numbers.
MF: μF , PF: μF .

RESISTORS

- All resistors are in ohms. Common 1/4W, 1/8W and 1/16W carbon resistors are omitted. Refer to the following lists for their part numbers.

- F : nonflammable

COILS

- MMH : mH, UM : LH

The components identified by shading and mark ▲ are critical for safety. Replace only with part number specified.

Les composants identifiés par une trame et une marque ▲ sont critiques pour la sécurité. Ne les remplacer que par une pièce portant le numéro spécifié.

MECHANISM SECTION

No.	Part No.	Description
346	3-575-392-00	RING, PISTON
347	3-575-397-00	GEAR, PINION
348	▲;3-575-398-00	LEVER (B), PAUSE
349	3-575-399-00	PULLEY, MOTOR
350	▲;3-575-400-00	LEVER (A), PAUSE
351	3-575-401-00	GEAR, LIMITER
352	▲;3-575-404-00	LEVER, DETECTION, HEAD
353	3-575-407-00	PLATE, DETECTION, SHUT-OFF
354	3-575-408-00	LEVER, TRIGGER
355	▲;3-575-409-00	BRACKET, COUNTER
356	3-575-410-00	ARM, TRIGGER
357	3-575-413-00	LEVER, FWD
358	3-575-415-11	ARBOR, MOVABLE
359	3-575-416-11	ARBOR, FIXED
360	3-575-420-00	LEVER (A), DETECTION
361	3-575-421-00	SPRING
362	3-575-422-00	SPRING
363	3-575-423-00	SPRING
364	3-575-424-00	JOINT, TRIGGER
365	3-575-425-00	SPRING
366	3-575-426-00	SPRING
367	▲;3-575-427-00	JOINT, SHUT-OFF
368	▲;3-575-428-00	PLATE, ADJUSTMENT
369	▲;3-575-430-00	BASE, SHUT-OFF
370	3-575-431-00	TABLE, REEL
371	3-575-432-00	SCREW, TAPPING
372	3-575-434-00	SPRING
373	▲;3-575-435-01	PLATE, TENSION, BACK
374	▲;3-575-435-11	PLATE, TENSION, BACK
375	3-575-436-00	HOLDER, SPRING, PAUSE
376	3-575-437-00	RUBBER, BRAKE
377	3-701-437-21	WASHER
378	3-701-438-21	WASHER
379	3-701-439-21	WASHER
380	3-701-455-00	PINCH ROLLER
381	3-701-788-XX	SPRING, TENSION
382	3-701-822-00	HOLDER, WIRE
383	3-703-496-00	SCREW +PWH 2X14
384	7-621-259-15	SCREW +P 2.6X3
385	7-621-775-10	SCREW +B 2.6X4
386	7-621-775-40	SCREW +B 2.6X8
387	7-624-102-04	STOP RING 1.5, TYPE -E
388	7-624-105-04	STOP RING 2.3, TYPE -E
389	7-624-190-11	STOP RING 3, TYPE -CS
390	7-671-112-11	BALL, STEEL

MECHANISM SECTION

No.	Part No.	Description
391	7-685-532-19	SCREW +BTP 2.6X5 TYPE2 N-S
392	7-685-533-19	SCREW +3TP 2.6X6 TYPE2 N-S
393	7-685-861-01	SCREW +BVTT 2.6X5 (S)
394	7-685-862-01	SCREW +BVTT 2.6X6 (S)
395	7-687-205-21	TOTSU PTPWH 2X8 TYPE2 SLIT
396	7-687-232-21	TOTSU PTPWH 2.6X5 TYPE2 SLIT
397	7-687-246-21	SCREW, TOTSU PTPWH 3X5 TYPE2
398	7-688-001-11	W 2, MIDDLE
399	9-911-839-XX	CUSHION (C)
400	A-2149-020-A	RETAINER ASSY, THRUST
401	A-2172-027-A	HOLDER ASSY, CASSETTE
402	X-3555-007-0	PULLEY ASSY, WORM
403	▲;X-3575-301-0	PLATE (A) ASSY, HOLDER FULCRUM
405	▲;X-3575-302-0	PLATE (B) ASSY, HOLDER FULCRUM
406	X-3575-305-0	FLYWHEEL (D) ASSY
407	X-3575-330-0	METAL ASSY, CAPSTAN
408	X-3575-331-0	WHEEL ASSY, WORM
409	X-3575-332-0	PINCH LEVER (T) ASSY
410	▲;X-3575-333-0	CHASSIS ASSY, MECHANISM
411	7-685-131-21	SCREW, PT 2.6X4
412	3-575-342-00	CORE, SOLENOID
413	3-701-439-00	WASHER, 3, PLASTIC
414	3-575-333-00	PISTON
415	3-575-341-00	PLUNGER, SOLENOID
416	▲;3-575-309-00	HOLDER, REEL-MOTOR
417	▲;X-3575-531-0	SLEEVE, ASSY, LIMITER
418	▲;3-575-329-00	SPRING, REEL-MOTOR

NOTE:

- Items with no part number and no description are not stocked because they are seldom required for routine service.
- Items marked "▲" are not stocked since they are seldom required for routine service. Some delay should be anticipated when ordering these items.
- Due to standardization, parts with part numbers (A-AAA-AAA-XX or A-AAA-AAA-X) may be different from those used in the set.

CAPACITORS:

- All capacitors are in μ F. Common capacitors are omitted. Refer to the following lists for their part numbers. MF: μ F, PF: μ F.

RESISTORS

- All resistors are in ohms. Common 1/4W, 1/8W and 1/16W carbon resistors are omitted. Refer to the following lists for their part numbers.

- F : nonflammable

COILS

- MMH : mH, UH : μ H

The components identified by shading and mark ▲ are critical for safety. Replace only with part number specified.

Les composants identifiés par une trame et une marque ▲ sont critiques pour la sécurité. Ne les remplacer que par une pièce portant le numéro spécifié.

ELECTRICAL PARTS

Ref.No.	Part No.	Description
501	1-507-762-00	JACK, PIN 4P
502	1-515-427-00	(AEP)...RELAY
503	A-1-534-817-31 (AEP) CORD, POWER	
503	A-1-534-986-XX (US CANADIAN) CORD, POWER	
504	1-535-139-00	BASE POST 19MM (10MM PITCH)
505	A-1-551-473-31 (E2) CORD, POWER	
505	A-1-551-936-00 (E) CORD, POWER	
505	A-1-551-967-00 (UK) CORD, POWER	
505	A-1-551-734-00 (E) CORD, POWER	
506	1-560-066-00	PIN, CONNECTOR 10P
507	1-605-795-00	PC BOARD, REC/PB
508	1-605-796-00	PC BOARD, PIN JACK
509	1-605-797-00	PC BOARD, HEADPHONE
510	1-605-798-00	PC BOARD, REC INDICATOR
511	1-605-799-00	(AEP).....PC BOARD, DIN JACK
512	1-605-800-00	PC BOARD, PEAK LEVEL INDICATOR
513	A-2019-197-A	(US, CANADIAN, UK, E) MOUNTED PCB, RECORD/PLAYBACK
514	A-2010-198-A	(AEP) MOUNTED PCB, RECORD/PLAYBACK
514	1-452-155-00	MAGNET
515	1-548-535-51	COUNTER, TAPE
516	1-605-860-00	(E).....PC BOARD, POWER TRANSFORMER
517	1-605-801-00	PC BOARD, SWITCH
C308	1-129-708-00	FILM 0.0033MF 10% 630V
C310	1-130-289-00	FILM 0.0047MF 5% 100V
C311	1-130-289-00	FILM 0.0047MF 5% 100V
C920	A-1-130-455-00 (E) FILM 0.001M 200V 75V	
C910	A-1-161-744-00 (AEP, UK) CERAMIC 0.01M 5% 100V	
C910	A-1-161-749-00 (US, CANADIAN) CERAMIC 0.01M 5% 125V	
CNJ103	1-507-525-00	JACK, 2P
CNJ203	1-507-525-00	JACK, 2P
CNJ302	1-560-064-00	PIN, CONNECTOR 6P
CNJ303	1-560-060-00	PIN, CONNECTOR 2P
CNJ304	1-507-659-00	JACK
CT101	1-141-225-00	CAP, TRIMMER
CT201	1-141-225-00	CAP, TRIMMER
D	8-719-422-21	DIODE 1T22AM
D	8-719-815-55	DIODE 1S1555
D201	8-719-422-21	DIODE 1T22AM
D202	8-719-815-55	DIODE 1S1555
D301	8-719-910-64	DIODE HZ6B1L
D302	8-719-200-02	DIODE 10E2
D303	8-719-815-55	DIODE 1S1555
D304	8-719-815-55	DIODE 1S1555
D305	8-719-815-55	DIODE 1S1555
D305	8-719-815-55	DIODE 1S1555
D306	8-719-815-55	DIODE 1S1555

ELECTRICAL PARTS

Ref.No.	Part No.	Description
D307	8-719-815-55	DIODE 1S1555
D308	8-719-901-31	DIODE SLP13.B
D309	8-719-900-92	DIODE GL-9PR20
D312	8-719-815-55	(AEP)...DIODE 1S1555
D501	8-719-815-55	DIODE 1S1555
D503	8-719-200-02	DIODE 10E2
D508	8-719-815-55	DIODE 1S1555
D509	8-719-815-55	DIODE 1S1555
D901	8-719-200-02	DIODE 10E2
D902	8-719-200-02	DIODE 10E2
D903	8-719-200-02	DIODE 10E2
D904	8-719-200-02	DIODE 10E2
D905	8-719-200-02	DIODE 10E2
D906	8-719-200-02	DIODE 10E2
D907	8-719-200-02	DIODE 10E2
D908	8-719-200-02	DIODE 10E2
EH1	8-825-724-00	HEAD, ERASE 2F201-36
IC101	8-759-101-74	IC CX174
IC201	8-759-101-74	IC CX174
IC301	8-759-145-57	IC UPC4557C
IC901A	8-759-278-10	IC TA78L010AP
L101	1-408-252-00	MICRO INDUCTOR 3.9MMH
L102	1-408-262-00	MICRO INDUCTOR 27MMH
L201	1-408-252-00	MICRO INDUCTOR 3.9MMH
L202	1-408-262-00	MICRO INDUCTOR 27MMH
LPF101	1-231-388-00	FILTER, LOWPASS
LPF201	1-231-388-00	FILTER, LOWPASS
M1	8-835-049-01	MOTOR, DC (DNE-4100A)
M2	1-541-163-00	MOTOR, REEL
ME1	1-520-431-00	METER, LEVEL
ME2	1-520-431-00	METER, LEVEL
PL1	1-518-394-41	LAMP (METER)
PM1	1-454-267-00	SOLENOID, PLUNGER
Q101	8-729-334-58	TRANSISTOR 2SC1345
Q102	8-729-334-58	TRANSISTOR 2SC1345
Q103	8-729-334-58	TRANSISTOR 2SC1345
Q104	8-729-663-47	TRANSISTOR 2SC1364
Q105	8-729-663-47	TRANSISTOR 2SC1364
Q201	8-729-334-58	TRANSISTOR 2SC1345
Q202	8-729-334-58	TRANSISTOR 2SC1345
Q203	8-729-334-58	TRANSISTOR 2SC1345
Q204	8-729-663-47	TRANSISTOR 2SC1364
Q205	8-729-663-47	TRANSISTOR 2SC1364
Q301	8-729-663-47	TRANSISTOR 2SC1364
Q302	8-729-663-47	TRANSISTOR 2SC1364

NOTE:

- Items with no part number and no description are not stocked because they are seldom required for routine service.
- Items marked "A" are not stocked since they are seldom required for routine service. Some delay should be anticipated when ordering these items.
- Due to standardization, parts with part numbers (1-555-222-XX or A-555-222-X) may be different from those used in the set.

CAPACITORS:

- All capacitors are in μ F. Common capacitors are omitted. Refer to the following lists for their part numbers. MF:MF, P:PF.

RESISTORS:

- All resistors are in ohms. Common 1/4W, 1/8W and 1/16W carbon resistors are omitted. Refer to the following lists for their part numbers.

F : nonflammable

COILS

MMH : mH, UH : μ H

The components identified by shading and mark A are critical for safety. Replace only with part number specified.

Les composants identifiés par une trame et une marque A sont critiques pour la sécurité. Ne les remplacer que par une pièce portant le numéro spécifié.

ELECTRICAL PARTS

Ref.No.	Part No.	Description
Q303	8-729-663-47	TRANSISTOR 2SC1364
Q304	8-729-663-47	TRANSISTOR 2SC1364
Q305	8-729-612-77	TRANSISTOR 2SA1027R
Q306	8-729-663-47	TRANSISTOR 2SC1364
Q307	8-729-663-47	TRANSISTOR 2SC1364
Q308	8-729-612-77	TRANSISTOR 2SA1027R
Q320	8-729-663-47	TRANSISTOR 2SC1364
Q321	8-729-663-47	TRANSISTOR 2SC1364
Q501	8-729-601-22	TRANSISTOR 2SD1012
Q502	8-729-103-43	TRANSISTOR 2SB734
Q503	8-729-663-47	TRANSISTOR 2SC1364
Q504	8-729-601-22	TRANSISTOR 2SD1012
Q901	8-729-100-93	TRANSISTOR 2SD809
Q902	8-729-612-77	TRANSISTOR 2SA1027R
Q903	8-729-154-83	TRANSISTOR 2SB548-P
R308	1-214-881-00	METAL 5.1K 1% 1/2W
R309	1-244-825-11	CARBON 10 5% 1/2W
R310	1-212-948-00	FUSIBLE 3.9 5% 1/2W F
RFH1	8-823-373-30	HEAD, REC/PB (PP181-3602C)
RV101	1-226-905-00	RES. VAR, CARBON 50K/50K
RV102	1-226-236-00	RES. ADJ, CARBON 50K
RV103	1-226-233-00	RES. ADJ, CARBON 50K
RV104	1-226-233-00	RES. ADJ, CARBON 1K
RV201	1-226-905-00	RES. VAR, CARBON 50K/50K
RV202	1-226-232-00	RES. ADJ, CARBON 50K
RV203	1-226-238-00	RES. ADJ, CARBON 50K
RV204	1-226-233-00	RES. ADJ, CARBON 1K
S1	▲ 1-553-318-00	(AEP, UK, E1/E2) SWITCH, PUSH (AC POWER)
S1	▲ 1-553-319-00	(US, CANADIAN) SWITCH, PUSH (AC POWER)
S2	1-553-581-00	SWITCH, PUSH
S3	1-553-581-00	SWITCH, PUSH
S4	1-553-581-00	SWITCH, PUSH
S5	1-553-581-00	SWITCH, PUSH
S6	1-553-581-00	SWITCH, PUSH
S7	1-553-581-00	SWITCH, PUSH
S8	1-553-849-00	SWITCH, PUSH (5 KEY)
S10	1-553-849-00	SWITCH, PUSH (5 KEY)
S11	1-553-849-00	SWITCH, PUSH (5 KEY)
S12	1-553-849-00	SWITCH, PUSH (5 KEY)
S13	1-553-849-00	SWITCH, PUSH (5 KEY)
S16	1-553-636-00	SWITCH, MICRO
T1	▲ 1-447-091-00	(US, CANADIAN) TRANSFORMER, POWER
T1	▲ 1-447-092-00	(E) TRANSFORMER, POWER
T1	▲ 1-447-093-00	(AEP, UK) TRANSFORMER, POWER
T301	1-437-242-00	TRANSFORMER, BIAS OSCILLATOR
VS901	▲ 1-526-576-00	(E) SELECTOR, POWER VOLTAGE

NOTE:

- Items with no part number and no description are not stocked because they are seldom required for routine service.
- Items marked "▲" are not stocked since they are seldom required for routine service. Some delay should be anticipated when ordering these items.
- Due to standardization, parts with part numbers (8-888-888-XX or 8-888-888-X) may be different from those used in the set.

CAPACITORS:

- All capacitors are in pF. Common capacitors are omitted. Refer to the following lists for their part numbers. MF:pF, PF:uF.

RESISTORS

- All resistors are in ohms. Common 1/4W, 1/8W and 1/16W carbon resistors are omitted. Refer to the following lists for their part numbers.
- F: nonflammable

COILS

- MMH: mH, UH: uH

For Service Manuals
MAURITRON SERVICES
 8 Cherry Tree Road, Chinnor
 Oxfordshire, OX9 4QY.
 Tel (01844) 351894
 Fax (01844) 352554
 email: mauritron@dial.pipex.com

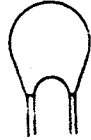
The components identified by shading and mark ▲ are critical for safety. Replace only with part number specified.

Les composants identifiés par une trame et une marque ▲ sont critiques pour la sécurité. Ne les remplacer que par une pièce portant le numéro spécifié.

SONY-STANDARD CAPACITORS, RESISTORS AND HARDWARES

MYLAR CAPACITORS

CAP. (uF)	50 VOLT.			CAP. (uF)	100 VOLT.			CAP. (uF)	200 VOLT.		
	PART No.	PART No.	PART No.		PART No.	PART No.	PART No.		PART No.	PART No.	PART No.
	0.001	1-108-227-00	1-108-365-0		1-108-409-00	0.01	1-108-239-00		1-108-377-00	1-108-421-00	0.1
0.012	1-108-351-00	1-108-366-00	1-108-410-00	0.012	1-108-357-00	1-108-378-00	1-108-422-00	0.12	1-108-363-00	1-108-390-00	1-108-434-00
0.015	1-108-228-00	1-108-367-00	1-108-411-00	0.015	1-108-240-00	1-108-379-00	1-108-423-00	0.15	1-108-252-00	1-108-391-00	1-108-435-00
0.018	1-108-352-00	1-108-368-00	1-108-412-00	0.018	1-108-358-00	1-108-380-00	1-108-424-00	0.18	1-108-364-00	1-108-392-00	1-108-436-00
0.022	1-108-210-00	1-108-369-00	1-108-413-00	0.022	1-108-242-00	1-108-381-00	1-108-425-00	0.22	1-108-254-00	1-108-393-00	1-108-437-00
0.027	1-108-353-00	1-108-370-00	1-108-414-00	0.027	1-108-359-00	1-108-382-00	1-108-426-00	0.27	1-108-354-00		
0.033	1-108-232-00	1-108-371-00	1-108-415-00	0.033	1-108-244-00	1-108-383-00	1-108-427-00	0.33	1-108-356-00		
0.039	1-108-354-00	1-108-372-00	1-108-416-00	0.039	1-108-360-00	1-108-384-00	1-108-428-00	0.39	1-108-358-00		
0.047	1-108-234-00	1-108-373-00	1-108-417-00	0.047	1-108-246-00	1-108-385-00	1-108-429-00	0.47	1-108-359-00		
0.056	1-108-355-00	1-108-374-00	1-108-418-00	0.056	1-108-361-00	1-108-386-00	1-108-430-00				
0.068	1-108-237-00	1-108-375-00	1-108-419-00	0.068	1-108-249-00	1-108-387-00	1-108-431-00				
0.082	1-108-356-00	1-108-376-00	1-108-420-00	0.082	1-108-362-00	1-108-388-00	1-108-432-00				



TANTALUM CAPACITORS

CAP. (uF)	RATING						
	3.15 VOLT.	6.3 VOLT.	10 VOLT.	16 VOLT.	20 VOLT.	25 VOLT.	35 VOLT.
	PART No.	PART No.	PART No.	PART No.	PART No.	PART No.	PART No.
0.01							1-131-396-00
0.015							1-131-397-00
0.022							1-131-398-00
0.033							1-131-399-00
0.047							1-131-400-00
0.068							1-131-401-00
0.1							1-131-402-00
0.15							1-131-403-00
0.22							1-131-404-00
0.33							1-131-405-00
0.47					1-131-412-00		1-131-406-00
0.68				1-131-415-00		1-131-410-00	1-131-407-00
1.0			1-131-418-00		1-131-413-00		1-131-408-00
1.5		1-131-421-00		1-131-416-00		1-131-411-00	1-131-348-00
2.2	1-131-424-00		1-131-419-00		1-131-414-00	1-131-355-00	1-131-349-00
3.3		1-131-422-00		1-131-417-00	1-131-362-00	1-131-356-00	1-131-350-00
4.7	1-131-425-00		1-131-420-00	1-131-369-00	1-131-363-00	1-131-357-00	1-131-351-00
6.8		1-131-423-00	1-131-376-00	1-131-370-00	1-131-364-00	1-131-358-00	1-131-352-00
10	1-131-426-00	1-131-383-00	1-131-377-00	1-131-371-00	1-131-365-00	1-131-359-00	1-131-353-00
15	1-131-390-00	1-131-384-00	1-131-378-00	1-131-372-00	1-131-366-00	1-131-360-00	
22	1-131-391-00	1-131-385-00	1-131-379-00	1-131-373-00	1-131-367-00		
33	1-131-392-00	1-131-386-00	1-131-380-00	1-131-374-00			
47	1-131-393-00	1-131-387-00	1-131-381-00				
68	1-131-394-00	1-131-388-00					
100	1-131-395-00						



TANTALUM CAPACITORS

CAP. (uF)	RATING					
	3 VOLT.	6.3 VOLT.	10 VOLT.	16 VOLT.	20 VOLT.	35 VOLT.
	PART No.	PART No.	PART No.	PART No.	PART No.	PART No.
0.033						1-131-273-00
0.047						1-131-274-00
0.068						1-131-275-00
0.1						1-131-276-00
0.15						1-131-277-00
0.22						1-131-262-00
0.33						1-131-263-00
0.47			1-131-169-00			1-131-264-00
0.68				1-131-258-00		1-131-280-00
1.0			1-131-254-00			1-131-281-00
1.5		1-131-250-00				1-131-282-00
2.2				1-131-259-00		1-131-267-00
3.3			1-131-255-00			1-131-268-00
4.7		1-131-251-00	1-131-171-00			1-131-269-00
6.8				1-131-260-00		1-131-270-00
10			1-131-256-00			1-131-271-00
15		1-131-252-00		1-131-261-00		1-131-272-00
22			1-131-257-00			
33	1-131-176-00	1-131-253-00	1-131-173-00			
47	1-131-288-00	1-131-174-00				
100	1-131-177-00					

ELECTROLYTIC CAPACITORS

CAP. (μF)	RATING → Use the high voltage rated one					
	6.3 VOLT.	10 VOLT.	16 VOLT.	25 VOLT.	35 VOLT.	50 VOLT.
	PART No.	PART No.	PART No.	PART No.	PART No.	PART No.
0.47						1-121-126-00
1.0						1-121-391-00
2.2						1-121-450-00
3.3						1-121-393-00
4.7				1-121-392-00		1-121-396-00
10				1-121-395-00		1-121-738-00
22			1-121-651-00	1-121-398-00		1-121-152-00
33			1-121-479-00	1-121-480-00	1-121-662-00	1-121-408-00
47			1-121-403-00	1-121-404-00	1-121-682-00	1-121-411-00
100		1-121-352-00	1-121-409-00	1-121-410-00	1-121-653-00	1-121-417-00
220	1-121-419-00	1-121-414-00	1-121-415-00	1-121-416-00	1-121-357-00	1-121-423-00
330	1-121-751-00	1-121-420-00	1-121-421-00	1-121-422-00	1-121-261-00	1-121-656-00
470	1-121-424-00	1-121-405-00	1-121-523-00	1-121-654-00	1-121-655-00	1-121-810-00
1000		1-121-425-00	1-121-426-00	1-121-733-00	1-121-361-00	1-123-081-00
2,000	1-121-658-00	1-121-736-00	1-121-245-00	1-121-657-00	1-121-388-00	
3,000	1-121-661-00	1-121-659-00	1-121-660-00	1-123-067-00	1-121-984-00	
		1-123-075-00	1-123-071-00			

CAP. (μF)	100 VOLT.	160 VOLT.	250 VOLT.	350 VOLT.
	PART No.	PART No.	PART No.	PART No.
0.47				
1.0	1-123-249-00	1-123-252-00	1-123-003-00	1-123-168-00
2.2	1-123-250-00	1-123-026-00		1-123-028-00
3.3	1-121-995-00		1-123-004-00	1-123-006-00
4.7	1-123-255-00	1-121-246-99	1-121-759-00	1-123-007-00
10	1-121-126-00	1-121-999-00	1-123-254-00	1-123-008-00
22	1-121-996-00	1-123-253-00	1-123-005-00	1-123-022-00
33	1-121-997-00	1-121-757-00		
47	1-123-251-00	1-121-919-00		
100	1-123-084-00			

CERAMIC CAPACITORS

CAP. (pF)	RATING						
	50 VOLT.	CAP. (pF)	50 VOLT.	CAP. (pF)	50 VOLT.	CAP. (μF)	
	PART No.		PART No.		PART No.		
0.5	1-101-837-00	22	1-102-959-00	150	1-101-361-00	0.001	1-102-074-00
0.75	1-101-586-00	24	1-102-960-00	160	1-101-367-00	0.0012	1-102-118-00
1.0	1-102-934-00	27	1-102-961-00	180	1-102-976-00	0.0015	1-102-119-00
1.5	1-101-576-00	30	1-102-962-00	200	1-102-977-00	0.0018	1-102-120-00
2.0	1-102-935-00	33	1-102-963-00	220	1-102-978-00	0.0022	1-102-121-00
3	1-102-936-00	36	1-102-964-00	240	1-102-979-00	0.0027	1-102-122-00
4	1-102-937-00	39	1-102-965-00	270	1-102-980-00	0.0033	1-102-123-00
5	1-102-942-00	43	1-102-966-00	300	1-102-981-00	0.0039	1-102-124-00
6	1-102-943-00	47	1-101-880-00	330	1-102-820-00	0.0047	1-102-125-00
7	1-102-944-00	51	1-101-882-00	360	1-102-821-00	0.0056	1-102-126-00
8	1-102-945-00	56	1-101-884-00	390	1-102-822-00	0.0068	1-102-127-00
9	1-102-946-00	62	1-101-886-00	430	1-102-823-00	0.0082	1-102-128-00
10	1-102-947-00	68	1-101-888-00	470	1-102-824-00	0.01	1-102-129-00
11	1-102-948-00	75	1-101-890-00	510	1-101-059-00	0.012	1-101-005-00
12	1-102-949-00	82	1-102-971-00	560	1-102-115-00	0.015	1-101-006-00
13	1-102-950-00	91	1-102-972-00	600	1-102-116-00		
15	1-102-951-00	100	1-102-973-00	820	1-102-117-00		
16	1-102-952-00	110	1-102-815-00				
18	1-102-953-00	120	1-102-816-00				
20	1-102-958-00	130	1-101-081-00				

0.001μF = 1,000pF

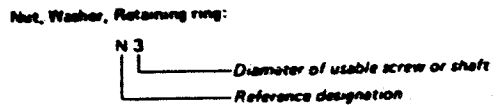
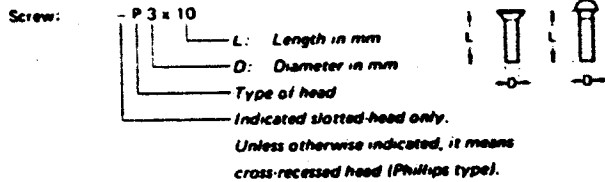
CERAMIC (SEMICONDUCTOR) CAPACITORS

CAP. (μF)	RATING → Use the high voltage rated one.			
	25 VOLT.	50 VOLT.	CAP. (μF)	25 VOLT.
	PART No.	PART No.		PART No.
0.001		1-161-039-00	0.018	1-161-016-00
0.0012		1-161-040-00	0.022	1-161-017-00
0.0015		1-161-041-00	0.027	1-161-018-00
0.0018		1-161-042-00	0.033	1-161-019-00
0.0022		1-161-043-00	0.039	1-161-020-00
0.0027		1-161-044-00	0.047	1-161-021-00
0.0033		1-161-045-00	0.056	
0.0039		1-161-046-00	0.068	
0.0047		1-161-047-00	0.082	1-161-024-00
0.0056		1-161-048-00	0.1	1-161-025-00
0.0068		1-161-049-00		
0.0082	1-161-012-00	1-161-050-00		
0.01	1-161-013-00	1-161-051-00		
0.012		1-161-052-00		
0.015	1-161-015-00	1-161-053-00		

1/4 WATT CARBON RESISTORS

Q	Part No.	Q	Part No.	Q	Part No.	Q	Part No.	Q	Part No.	Q	Part No.	Q	Part No.
1.0	1-246-401-00	10	1-246-425-00	100	1-246-449-00	1.0k	1-246-473-00	10k	1-246-497-00	100k	1-246-521-00	1.0M	1-246-545-00
1.1	1-246-402-00	11	1-246-426-00	110	1-246-450-00	1.1k	1-246-474-00	11k	1-246-498-00	110k	1-246-522-00	1.1M	1-210-814-00
1.2	1-246-403-00	12	1-246-427-00	120	1-246-451-00	1.2k	1-246-475-00	12k	1-246-499-00	120k	1-246-523-00	1.2M	1-210-815-00
1.3	1-246-404-00	13	1-246-428-00	130	1-246-452-00	1.3k	1-246-476-00	13k	1-246-500-00	130k	1-246-524-00	1.3M	1-210-816-00
1.5	1-246-405-00	15	1-246-429-00	150	1-246-453-00	1.5k	1-246-477-00	15k	1-246-501-00	150k	1-246-525-00	1.5M	1-210-817-00
1.6	1-246-406-00	16	1-246-430-00	160	1-246-454-00	1.6k	1-246-478-00	16k	1-246-502-00	160k	1-246-526-00	1.6M	1-210-818-00
1.8	1-246-407-00	18	1-246-431-00	180	1-246-455-00	1.8k	1-246-479-00	18k	1-246-503-00	180k	1-246-527-00	1.8M	1-210-819-00
2.0	1-246-408-00	20	1-246-432-00	200	1-246-456-00	2.0k	1-246-480-00	20k	1-246-504-00	200k	1-246-528-00	2.0M	1-210-820-00
2.2	1-246-409-00	22	1-246-433-00	220	1-246-457-00	2.2k	1-246-481-00	22k	1-246-505-00	220k	1-246-529-00	2.2M	1-210-821-00
2.4	1-246-410-00	24	1-246-434-00	240	1-246-458-00	2.4k	1-246-482-00	24k	1-246-506-00	240k	1-246-530-00	2.4M	1-244-754-00
2.7	1-246-411-00	27	1-246-435-00	270	1-246-459-00	2.7k	1-246-483-00	27k	1-246-507-00	270k	1-246-531-00	2.7M	1-244-755-00
3.0	1-246-412-00	30	1-246-436-00	300	1-246-460-00	3.0k	1-246-484-00	30k	1-246-508-00	300k	1-246-532-00	3.0M	1-244-756-00
3.3	1-246-413-00	33	1-246-437-00	330	1-246-461-00	3.3k	1-246-485-00	33k	1-246-509-00	330k	1-246-533-00	3.3M	1-244-757-00
3.6	1-246-414-00	36	1-246-438-00	360	1-246-462-00	3.6k	1-246-486-00	36k	1-246-510-00	360k	1-246-534-00	3.6M	1-244-758-00
3.9	1-246-415-00	39	1-246-439-00	390	1-246-463-00	3.9k	1-246-487-00	39k	1-246-511-00	390k	1-246-535-00	3.9M	1-244-759-00
4.3	1-246-416-00	43	1-246-440-00	430	1-246-464-00	4.3k	1-246-488-00	43k	1-246-512-00	430k	1-246-536-00	4.3M	1-244-760-00
4.7	1-246-417-00	47	1-246-441-00	470	1-246-465-00	4.7k	1-246-489-00	47k	1-246-513-00	470k	1-246-537-00	4.7M	1-244-761-00
5.1	1-246-418-00	51	1-246-442-00	510	1-246-466-00	5.1k	1-246-490-00	51k	1-246-514-00	510k	1-246-538-00	5.1M	1-244-762-00
5.6	1-246-419-00	56	1-246-443-00	560	1-246-467-00	5.6k	1-246-491-00	56k	1-246-515-00	560k	1-246-539-00		
6.2	1-246-420-00	62	1-246-444-00	620	1-246-468-00	6.2k	1-246-492-00	62k	1-246-516-00	620k	1-246-540-00		
6.8	1-246-421-00	68	1-246-445-00	680	1-246-469-00	6.8k	1-246-493-00	68k	1-246-517-00	680k	1-246-541-00		
7.5	1-246-422-00	75	1-246-446-00	750	1-246-470-00	7.5k	1-246-494-00	75k	1-246-518-00	750k	1-246-542-00		
8.2	1-246-423-00	82	1-246-447-00	820	1-246-471-00	8.2k	1-246-495-00	82k	1-246-519-00	820k	1-246-543-00		
9.1	1-246-424-00	91	1-246-448-00	910	1-246-472-00	9.1k	1-246-496-00	91k	1-246-520-00	910k	1-246-544-00		

HARDWARE NOMENCLATURE



Reference Designation	Shape	Description	Remarks
SCREWS			
P		pan-head screw	binding-head (B) screw for replacement
PWH		pan-head screw with washer face	binding-head (B) screw and flat washer for replacement
PS PSP		pan-head screw with spring washer	binding-head (B) screw and spring washer for replacement
PSW PSPW		pan-head screw with spring and flat washers	binding-head (B) screw and spring and flat washers for replacement
R		round-head screw	binding-head (B) screw for replacement
K		flat-countersunk-head screw	
RK		oval-countersunk-head screw	
B		binding-head screw	
T		truss-head screw	binding-head (B) screw for replacement
F		flat-fillister-head screw	
RF		fillister-head screw	
BV		brazer-head screw	

Reference Designation	Shape	Description	Remarks
SELF TAPPING SCREWS			
TA		self-tapping screw	ex. TA, P 3 x 10
PTP		pan-head self-tapping screw	binding-head self-tapping (TA, B) screw for replacement
PTPWH		pan-head self-tapping screw with washer face	binding-head self-tapping (TA, B) screw and flat washer for replacement
PTTWH		pan-head thread-rolling screw with washer face	binding-head (B) screw and flat washer for replacement
SET SCREWS			
SC		set screw	
SC		hexagon-socket set screw	ex. SC 2.6 x 4, hexagon socket
NUT			
N		nut	
WASHERS			
W		flat washer	
SW		spring washer	
LW		internal-tooth lock washer	ex. LW3, internal
LW		external-tooth lock washer	ex. LW3, external
RETAINING RINGS			
E		retaining ring	
G		grip-type retaining ring	

