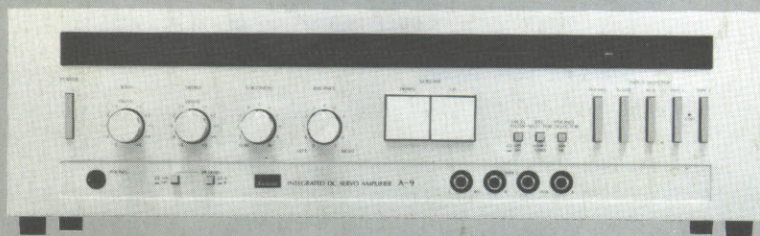


SERVICE MANUAL

MASTER INTERATED AMPLIFIER

SANSUI A-9/A-7/A-5



• SPECIFICATIONS

<A-9>

Power output

Min. RMS, both channels driven, from 20 to 20,000 Hz,
with no more than 0.05 % total harmonic distortion
65 watts per channel into 8 ohms

Load impedance 8 ohms

Total harmonic distortion

. less than 0.05 % at or below rated
min. RMS power output

Frequency response (at 1 watt)

. 5 to 70,000 Hz
+0.5 dB, -2 dB

RIAA curve deviation (PHONO, 20 Hz to 20 kHz)

. +0.5 dB, -0.5 dB

Input sensitivity and impedance (1 kHz, for rated power output)

PHONO-MM 2.5 mV/47 kilohms

(Max. input capability; 200 mV at 1 kHz, less than
0.1 % total harmonic distortion)

PHONO-MC 0.1 mV/10 ohms

AUX, TUNER, TAPE PLAY

. 150 mV/47 kilohms

Output level (1 kHz)

TAPE REC 130 mV into 47 kilohms

Hum and noise (short-circuit, A-network)

PHONO-MM 80 dB

PHONO-MC 60 dB

AUX, TUNER, TAPE PLAY

. 95 dB

Power requirements

Power voltage 120/220/240 V
(50/60 Hz)

For USA and Canada

. 120 V (60 Hz)

Power consumption 240 watts Rated

355 watts Maximum

UL, CSA Model 240 watts 295 VA Rated

Dimensions 430 mm (16-15/16") W

132 mm (5-1/4") H

241 mm (9-1/2") D

Weight 7.1 kg (15.7 lbs) net

8.0 kg (17.6 lbs) packed

<A-7>

Power output

Min. RMS, both channels driven, from 20 to 20,000 Hz,
with no more than 0.05 % total harmonic distortion
45 watts per channel into 8 ohms

Load impedance 8 ohms

Total harmonic distortion

. less than 0.05 % at or below rated
min. RMS power output

Frequency response (at 1 watt)

. 5 to 60,000 Hz
+0.5 dB, -2 dB

RIAA curve deviation (PHONO, 20 Hz to 15 kHz)

. +0.5 dB, -0.5 dB

Input sensitivity and impedance (1 kHz, for rated power output)

PHONO 2.5 mV/47 kilohms

(Max. input capability; 180 mV at 1 kHz, less than
0.1 % total harmonic distortion)

AUX, TUNER, TAPE PLAY

. 150 mV/47 kilohms

MIC 2 mV/10 kilohms

Output level (1 kHz)

TAPE REC 130 mV into 47 kilohms

Hum and noise (short-circuit, A-network)

PHONO 80 dB

AUX, TUNER, TAPE PLAY

. 95 dB

to be continued ▶

Sansui

SANSUI ELECTRIC CO., LTD.

<A-7>

Power requirements

Power voltage 120/220/240 V
(50/60 Hz)

For USA and Canada

. 120 V (60 Hz)
Power consumption 180 watts 230 VA Rated
265 watts Maximum

Dimensions 430 mm (16-15/16") W
132 mm (5-1/4") H
247 mm (9-3/4") D

Weight 5.8 kg (12.8 lbs) net
6.7 kg (14.8 lbs) packed

<A-5>

Power output

Min. RMS, both channels driven, from 40 to 20,000 Hz,
with no more than 0.08 % total harmonic distortion
25 watts per channel into 8 ohms

Load impedance 8 ohms

Total harmonic distortion

. less than 0.08 % at or below rated
min. RMS power output

Frequency response (at 1 watt)

. 10 to 50,000 Hz
+0.5 dB, -2 dB

RIAA curve deviation (PHONO, 30 Hz to 15 kHz)

. +0.5 dB, -0.5 dB

Input sensitivity and impedance (1 kHz, for rated power output)

PHONO 2.5 mV/47 kilohms
(Max. input capability; 150 mV at 1 kHz, less than
0.1 % total harmonic distortion)

TAPE/AUX, TUNER, TAPE PLAY
. 150 mV/47 kilohms

Output level and impedance (1 kHz)

TAPE REC 130 mV into 47 kilohms

Hum and noise (short-circuit, A-network)

PHONO 75 dB

TAPE/AUX, TUNER, TAPE PLAY
. 90 dB

Power requirements

Power voltage 120/220/240 V
(50/60 Hz)

For USA and Canada

. 120 V (60 Hz)
Power consumption 110 watts 170 VA Rated
160 watts Maximum

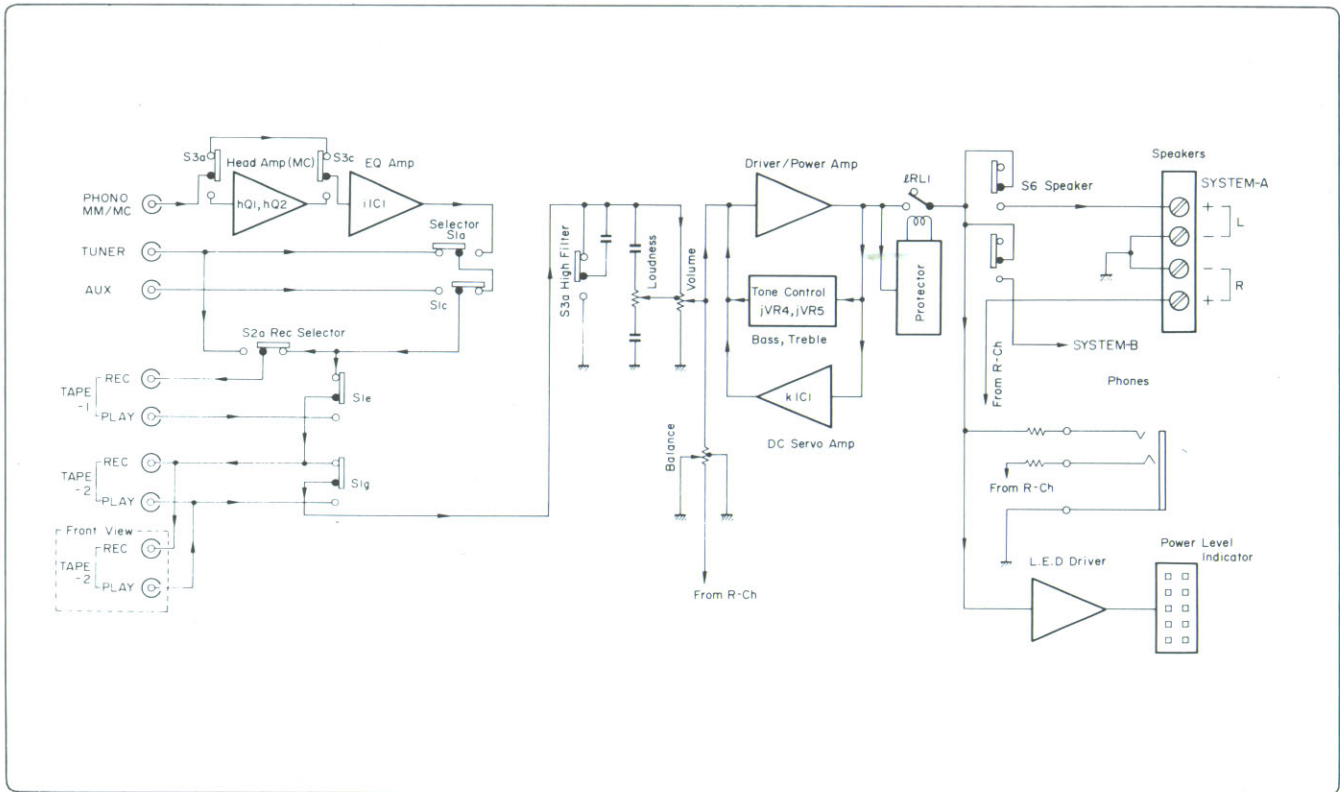
Dimensions 430 mm (16-15/16") W
132 mm (5-1/4") H
247 mm (9-3/4") D

Weight 4.5 kg (9.9 lbs) net
5.4 kg (119.9 lbs) packed

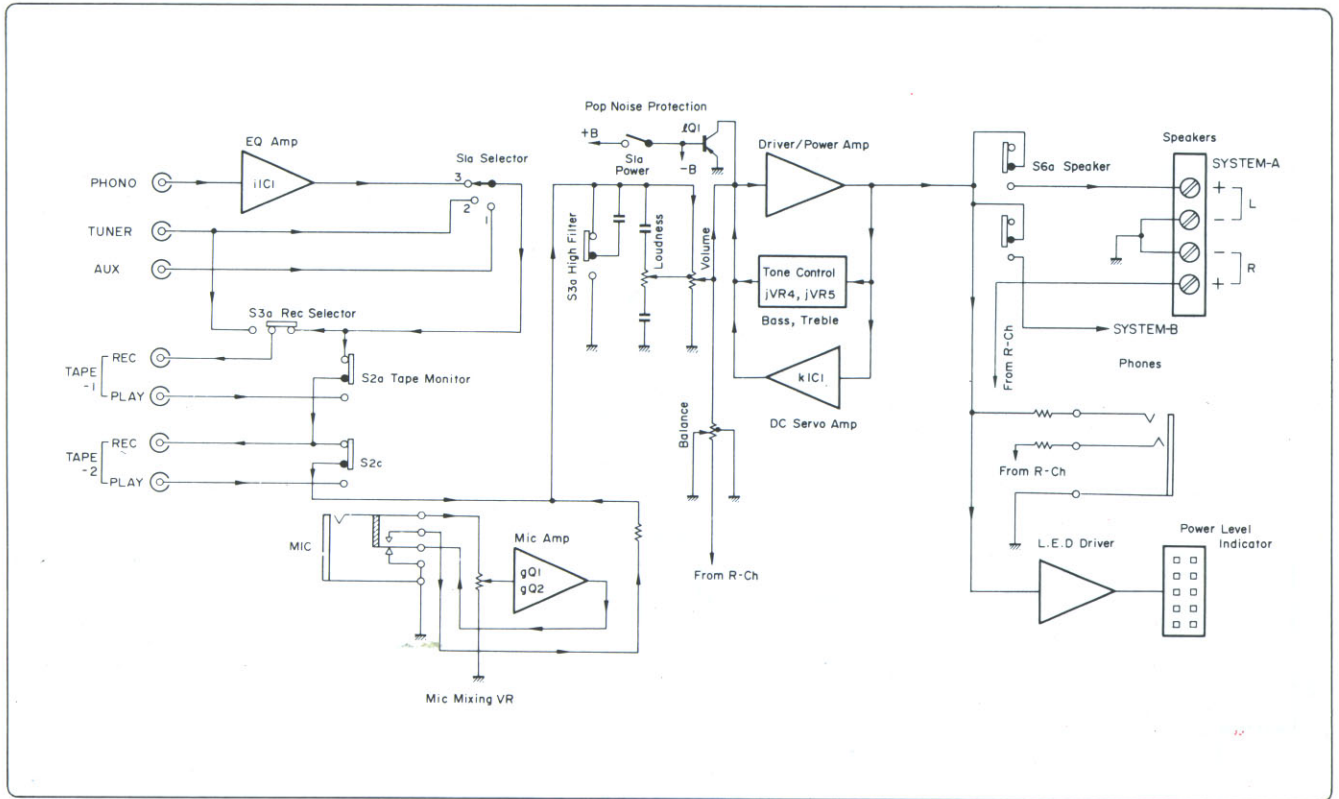
* Design and specifications subject to changes without notice for improvements.

1. BLOCK DIAGRAM

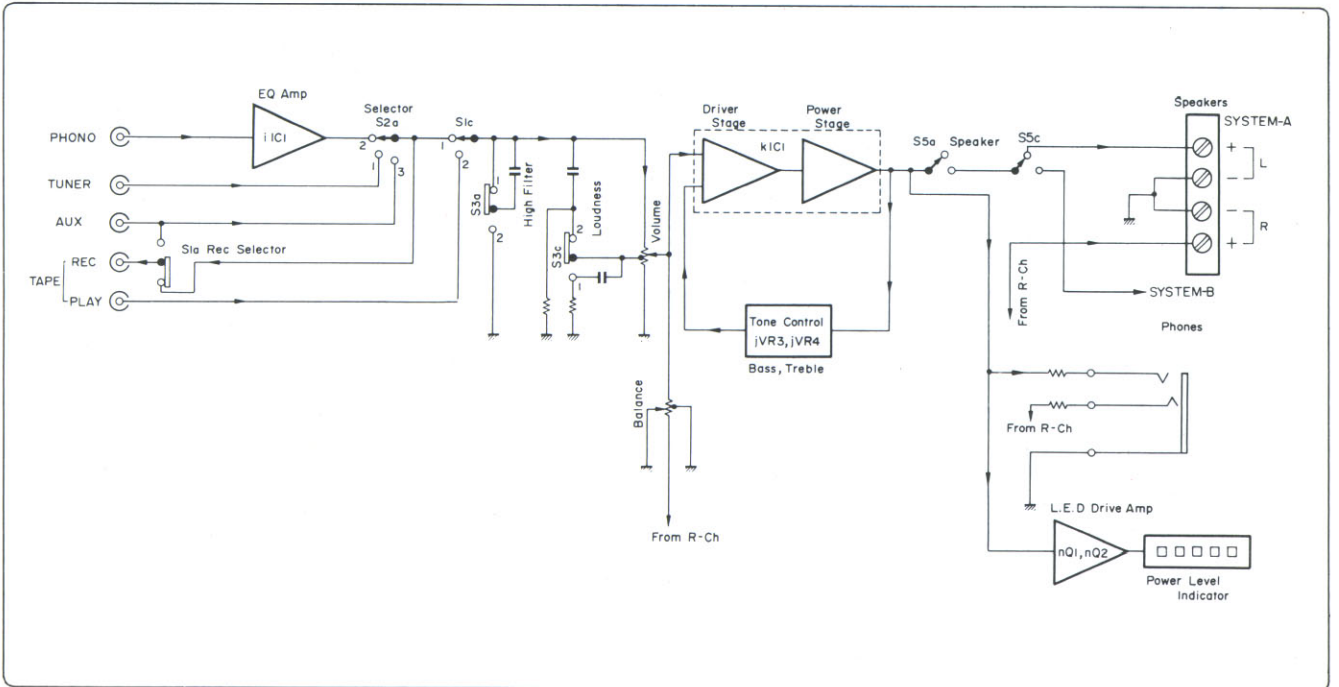
1-1. A-9



1-2. A-7



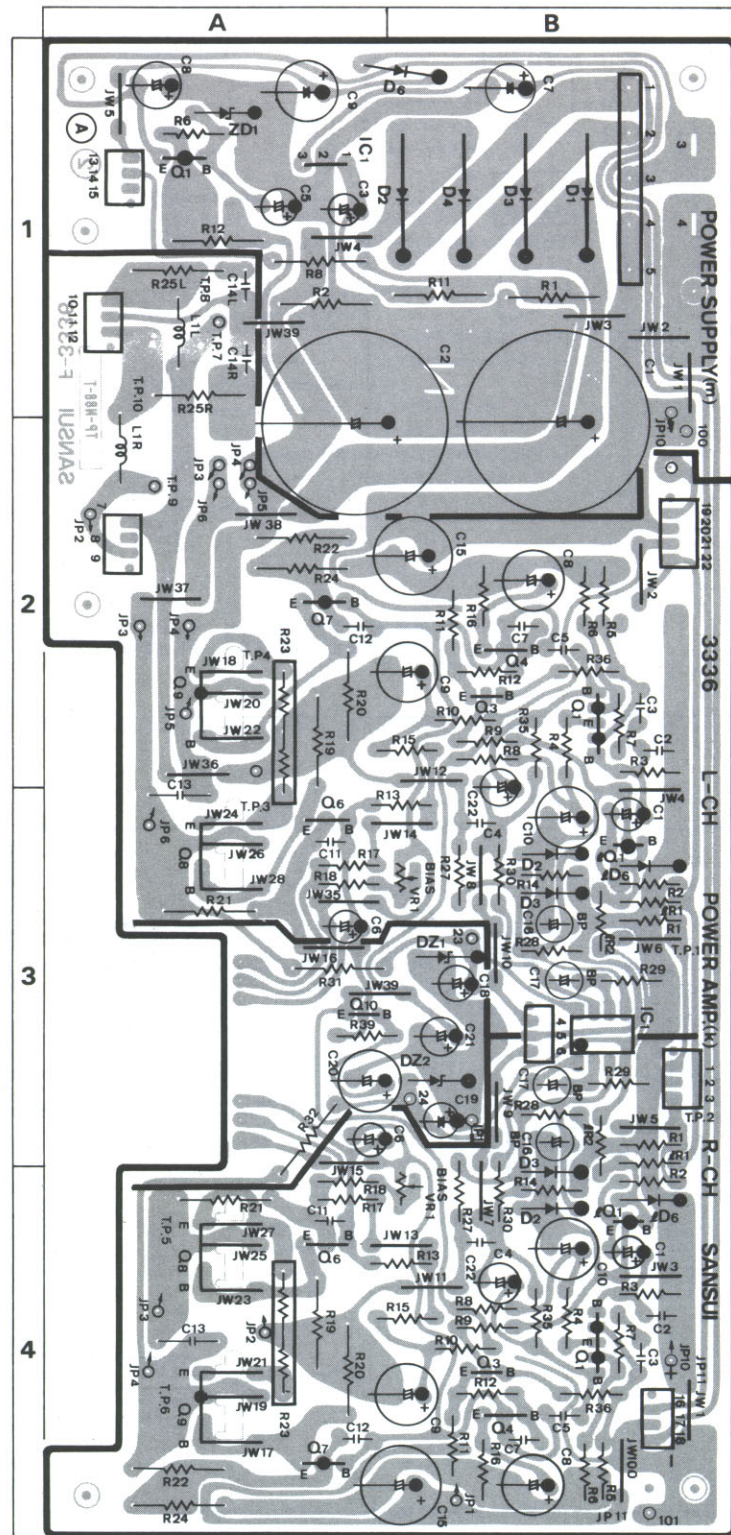
1-3. A-5



2. PARTS LOCATION & PARTS LIST

2-1. F-3336 Power Amp. Circuit Board (Stock No. 07091601 = A-9/00615501 = A-7)

Component Side



• Since some of capacitors and resistors are omitted from parts lists in this Service Manual, refer to the Common Parts List for capacitors & resistors which was appended previously to each Sansui Manual.

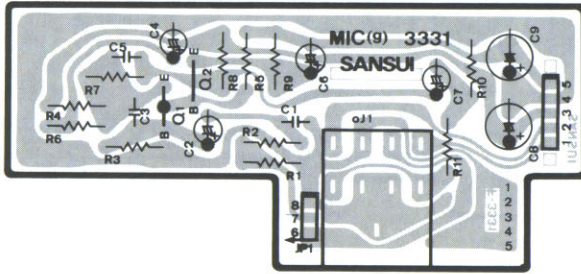
Parts List

Parts No.	Stock No.	Description
• Transistor		
kQ1	03602900, 1	2SA798 F, G
kQ3	03067400, 1	2SC1845 F, E
kQ4	03064001, 2	2SC1904 B, V
kQ10	03067400, 1	2SC1845 F, E
• IC		
kIC1	03607700	NJM4558D
• Diode		
kD2	03117600	1S2473D
kD3	03117600	1S2473D
• Zener Diode		
kDZ1	03179200	RD15E-B
kDZ2	03179200	RD15E-B
kR23	00091700	0.33Ω x 2 5W C.R.
kR25	00179000	10Ω 1W N.I.R.
kC13	08680400	10000pF 500V C.C.
kC16	08451500	10μF 25V E.B.
kC17	08450900	4.7μF 16V E.B.
kL1	42102900	Inductor 1.5μH
kVR1	07261500	Semi Variable Resistor 500Ω (B), bias adj.
• Transistor		
mQ1	03033101, 2	2SB528 D, E
• IC		
mIC1	07208200	μPC78M24H
• Diode		
mD1	03115300	30D-2
mD2	03115300	30D-2
mD3	03115300	30D-2
mD4	03115300	30D-2
mD6	03117700	10E-2
• Zener Diode		
mDZ1	03165100	RD24E-B
mR1	00183900	5.6kΩ 1W N.I.R.
mR2	00183900	5.6kΩ 1W N.I.R.
mR11	00183200	470Ω 1W N.I.R.
<A-9 Only>		
• Transistor		
kQ6	07206400, 1	2SD600K E, F
kQ7	07206300, 1	2SB631K E, F
kR31	00182800	3.9kΩ 1W N.I.R.
kR32	00182800	3.9kΩ 1W N.I.R.
mC1	08300300	6800μF 55V E.C.
mC2	08300300	6800μF 55V E.C.
<A-7 Only>		
• Transistor		
kQ6	07263500, 1	2SD600 E, F
kQ7	07263400, 1	2SB631 E, F
• Transistor		
IQ1	03010900, 1	2SA992 F, E
• Diode		
ID6	03117600	1S2473D
mC1	00316000	4700μF 50V E.C.
mC2	00316000	4700μF 50V E.C.

2-2. F-3331 Mic Amp. Circuit Board

(Stock No. 07088501 = A-7)

Component Side



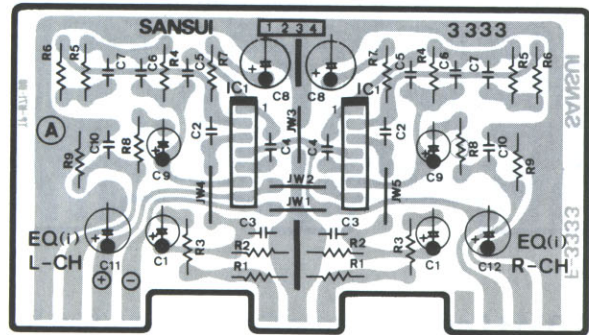
Parts List

Parts No.	Stock No.	Description
●Transistor		
gQ1	03010900, 1	2SA992 F, E
gQ2	07225400, 1	2SC2320L F, G
oJ1	46078200	MIC Jack

2-3. F-3333 EQ Amp. Circuit Board

(Stock No. 07088701 = A-9/A-7)

Component Side

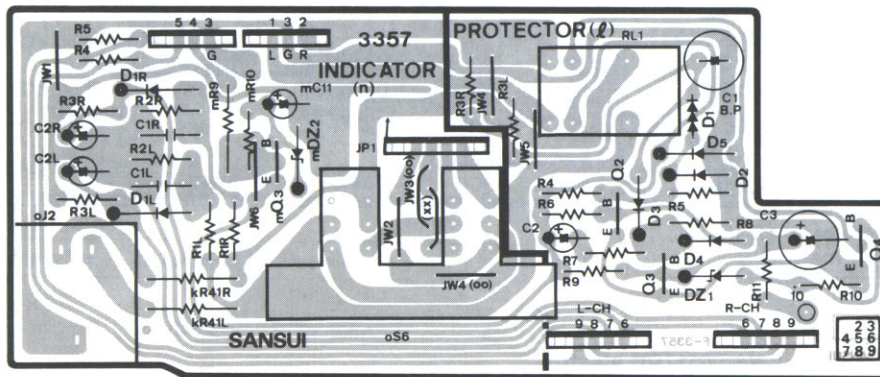


Parts List

Parts No.	Stock No.	Description
●IC		
iC1	07197400	M5214L
iC1	08441400	10μF 25 V E.C.

2-4. F-3357 Protector Circuit Board (Stock No. 07092601 = A-9/00615901 = A-7)

Component Side



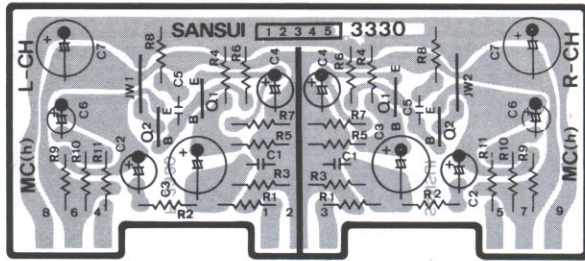
Parts List

Parts No.	Stock No.	Description
●Diode		
nD1	07225500	1N60
oS6	07252400	Push Switch, speaker
oJ2	46078100	Head Phone Jack
<A-9 Only>		
●Transistor		
IQ2	07194800, 1	2SC1815 Y, GR
IQ3	07194800, 1	2SC1815 Y, GR
IQ4	07194800, 1	2SC1815 Y, GR
●Diode		
ID1	03401700	Varistor MV-103
ID2	07176400	1S2473HS
	03111800	1S1588
ID3	07176400	1S2473HS
	03111800	1S1588

Parts No.	Stock No.	Description
ID4	07176400	1S2473HS
	03111800	1S1588
ID5	03117700	10E-2
●Zener Diode		
IDZ1	03163900	RD6.2E-B
IC1	08460100	100μF 6.3V E.B.
IRL1	07192300	Relay
●Transistor		
mQ3	03067400, 1	2SC1845 F, E
●Zener Diode		
mDZ2	03165100	RD24E-B

2-5. F-3330 MC Amp. Circuit Board (Stock No. 07082501 = A-9)

Component Side

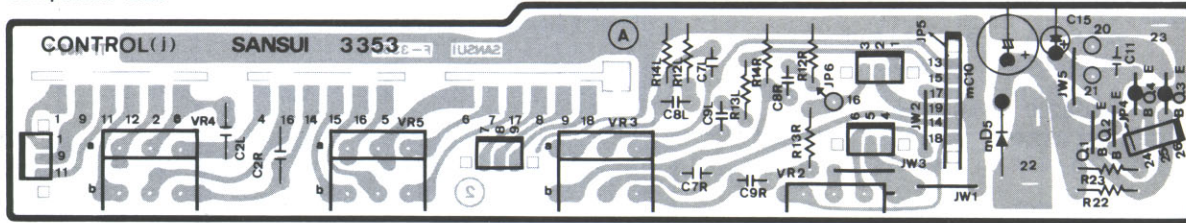


Parts List

Parts No.	Stock No.	Description
●Transistor		
hQ1	03068500, 1	2SC1844 F, E
hQ2	07225400, 1	2SC2320L F, G
hC3	00324000	100 μ F 25 V E.C.

2-6. A-3353 Control Volume Circuit Board (Stock No. 07092201 = A-9)

Component Side



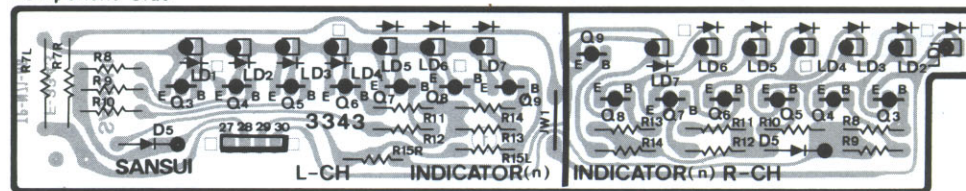
Parts List

Parts No.	Stock No.	Description
●Transistor		
jQ1	07206900, 1	2SC2001 M, L
jQ2	07206900, 1	2SC2001 M, L
jQ3	07206800, 1	2SA952 M, L
jQ4	07206800, 1	2SA952 M, L
jVR2	10054701 (46121700)	Variable Resistor 250 k Ω (B), balance Type I (II)
jVR3	10156301 (46121800)	Variable Resistor 20 k Ω (B) x 2, loudness Type I (II)

Parts No.	Stock No.	Description
jVR4	07253400 (46097300)	Variable Resistor 50 k Ω x 2, bass Type-I (II)
jVR5	07253400 (46097300)	Variable Resistor 50 k Ω x 2, treble Type I (II)
●Diode		
mD5	03117700	10E-2

2-7. F-3343 Power Ind. Circuit Board (Stock No. 00617501 = A-5)

Component Side



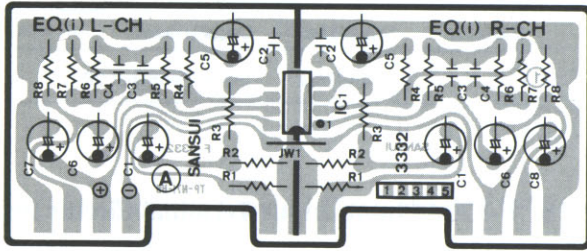
Parts List

Parts No.	Stock No.	Description
●Transistor		
nQ3	03012500, 1	2SA786 Q, R
nQ4	03012500, 1	2SA786 Q, R
nQ5	03012500, 1	2SA786 Q, R
nQ6	03012500, 1	2SA786 Q, R
nQ7	03012500, 1	2SA786 Q, R
nQ8	03012500, 1	2SA786 Q, R
nQ9	03012500, 1	2SA786 Q, R
●Diode		
nD5	07176400	1S2473HS

Parts No.	Stock No.	Description
nLD1	03193700	Light Emitting Diode SEL1110S
nLD2	03193700	Light Emitting Diode SEL1110S
nLD3	03193700	Light Emitting Diode SEL1110S
nLD4	03193700	Light Emitting Diode SEL1110S
nLD5	03193700	Light Emitting Diode SEL1110S
nLD6	03193700	Light Emitting Diode SEL1110S
nLD7	03193700	Light Emitting Diode SEL1110S
nR7	00183800	560 Ω 1W N.I.R.

2-8. F-3332 EQ Amp. Circuit Board (Stock No. 00616801 = A-5)

Component Side

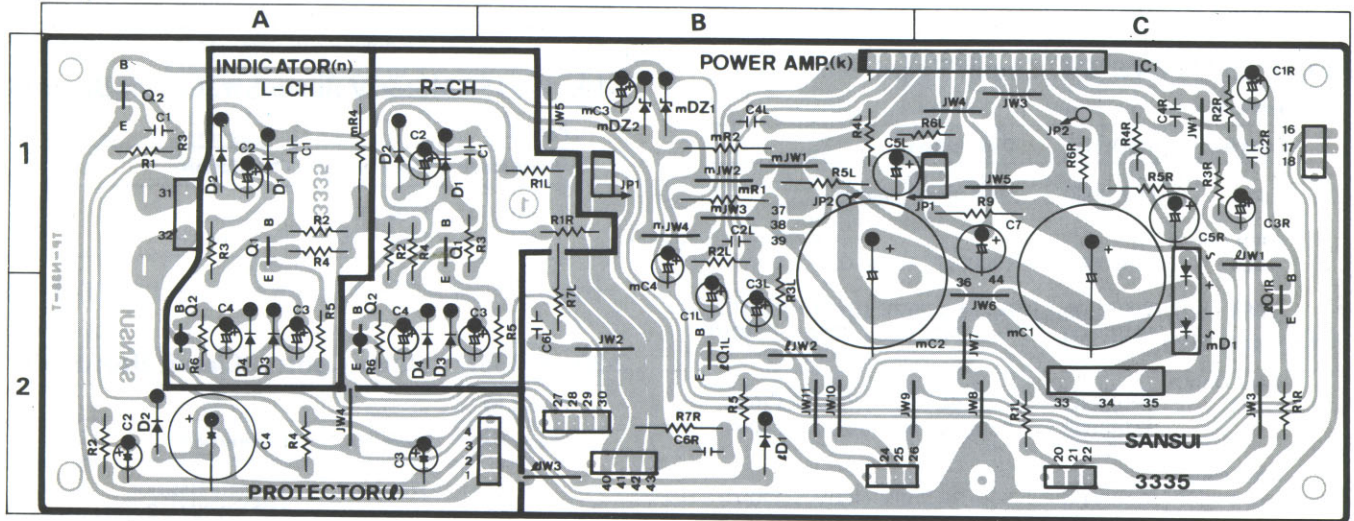


Parts List

Parts No.	Stock No.	Description
●IC		
iIC1	07208900	NJM4558D

2-9. F-3335 Main Amp. Circuit Board (Stock No. 00616901 = A-5)

Component Side



Parts List

Parts No.	Stock No.	Description
●IC		
kIC1	07254400	STK465A
kR6	07253600	0.33Ω 5W
●Diode		
mD1	03117000	RB-152
●Zener Diode		
mDZ1	03179800	RD20E-B
mDZ2	03179800	RD20E-B
mR4	00188400	270Ω 2W N.I.R.

Parts No.	Stock No.	Description
mC1	08301000	3300μF 42 V E.C.
mC2	08301000	3300μF 42 V E.C.
●Transistor		
nQ1	03068301, 2	2SC2320 E, F
nQ2	03012700, 1	2SA999 E, F
●Diode		
nD1	03117600	1S2473D
nD2	07225500	1N60
nD3	03117600	1S2473D
nD4	03117600	1S2473D

●Note: The circuit board, F-3334, F-3359, F-3337, F-3358, F-3339, F-3350, F-3351, F-3352, F-3354, F-3355, F-3356, F-3346, F-3347, F-3348, F-3349, F-3340, F-3341, F-3342, F-3344, F-3345 are not supplied as the assembled. However, the individual parts on the circuit board are provided by orders.

2-10. F-3334 Tone Control Circuit Board

(A-9/A-7/A-5)

Parts List

Parts No.	Stock No.	Description
jC5	07216800	68000 pF 25 V C.C.

2-11. F-3359 Mic Volume Control Circuit Board

(A-7)

Parts List

Parts No.	Stock No.	Description
gVR1	07253500	Variable Resistor 20 kΩ, mic level

2-12. F-3337 Bias Compensating Circuit Board

(A-9/A-7)

Parts List

Parts No.	Stock No.	Description
•Transistor kQ5	03068301, 2	2SC2320 E, F

2-13. F-3358 Speaker Terminal Circuit Board (A-9/A-7)

Parts List

Parts No.	Stock No.	Description
	07183300	8P Terminal Board, speaker

2-14. F-3339 Power SW. Circuit Board (A-9/A-7/A-5)

Parts List

Parts No.	Stock No.	Description
pS1	11319000	Push Switch, power
<A-9 Only> pC1	00386000	10000pF 150V C.C.
pF1	07189100 07188700	Fuse 5A 250V (100V ~ 120V) Fuse 2.5A 250V (220V ~ 240V)
<A-7 Only> pF1	07189000 07188600	Fuse 4A 250V (100V ~ 120V) Fuse 2A 250V (220V ~ 240V)
<A-5 Only> pF1	07188800 07188500	Fuse 3A 250V (100V ~ 120V) Fuse 1.5A 250V (220V ~ 240V)

2-15. F-3350 Input Circuit Board (A-9)

Parts List

Parts No.	Stock No.	Description
•Diode nD2 nD3	03401500 03401500	Varistor MV12 Varistor MV12
oS1 oS2 oS3	07252900 07258500 07258600	Push Switch, input selector Push Switch, rec selector Slide Switch, MC/MM selector
	07249100	Input Terminal Board 4P

2-16. F-3351 Input Source Ind. L.E.D. Circuit Board

(A-9)

Parts List

Parts No.	Stock No.	Description
	07581900	LED Holder
nLD1 nLD2 nLD3 nLD4 nLD5	07243200 07243200 07243200 07243200 07243200	Light Emitting Diode GL-5HD5 Light Emitting Diode GL-5HD5 Light Emitting Diode GL-5HD5 Light Emitting Diode GL-5HD5 Light Emitting Diode GL-5HD5

2-17. F-3352 Tape Terminal Circuit Board (A-9)

Parts List

Parts No.	Stock No.	Description
	07264500	Input Terminal 2P

2-18. F-3354 Phono Input Terminal Circuit Board

(A-9)

Parts List

Parts No.	Stock No.	Description
	07249000	Input Terminal 2P

2-19. F-3355 Motor Volume SW. Circuit Board (A-9)

Parts List

Parts No.	Stock No.	Description
oS4 oS5	11907000 11907000	Push Switch Push Switch

2-20. F-3356 Volume Control Circuit Board (A-9)

Parts List

Parts No.	Stock No.	Description
jVR1	07242100	Variable Resistor 150 k Ω (B) x 2, volume

2-21. F-3346 Input Selector Circuit Board (A-7)

Parts List

Parts No.	Stock No.	Description
oS1 oS2 oS3	07253000 07252800 07252600	Push Switch, input selector Push Switch, tape mon. Push Switch, rec selector
	07249100	Input Terminal Board 4P, tuner, aux, tape 1
	07249000	Input Terminal Board 2P, phono

2-22. F-3347 Input Source Ind. L.E.D. Circuit Board

(A-7)

Parts List

Parts No.	Stock No.	Description
	07581900	LED Holder
nLD1 nLD2 nLD3 nLD4 nLD5	07243200 07243200 07243200 07243200 07243200	Light Emitting Diode GL-5HD5 Light Emitting Diode GL-5HD5 Light Emitting Diode GL-5HD5 Light Emitting Diode GL-5HD5 Light Emitting Diode GL-5HD5

2-23. F-3348 Tape Terminal Circuit Board (A-7)

Parts List

Parts No.	Stock No.	Description
	07264500	Input Terminal Board 2P, tape 2

2-24. F-3349 Volume Control Circuit Board (A-7)

Parts List

Parts No.	Stock No.	Description
jVR1	07257400	Variable Resistor 150kΩ x 2, volume
jVR2	10054701 (46121700)	Variable Resistor 250kΩ (B), balance Type I (II)
jVR3	10156301 (46121800)	Variable Resistor 20kΩ (B) x 2, loudness Type I (II)
jVR4	07253400 (46097300)	Variable Resistor 50kΩ x 2, bass Type I (II)
jVR5	07253400 (46097300)	Variable Resistor 50kΩ x 2, treble Type I (II)

2-25. F-3340 Input Terminal & SW. Circuit Board (A-5)

Parts List

Parts No.	Stock No.	Description
oS1	07252500	Push Switch, tape mon.
oS2	07253000	Switch, input selector
oS3	07252600	Push Switch, high-filter
	07249100	Input Terminal Board 4P, tape
	07249000	Input Terminal Board 2P, phono

2-26. F-3341 Input Source Ind. L.E.D. Circuit Board (A-5)

Parts List

Parts No.	Stock No.	Description
nLD8	07246200	Light Emitting Diode SEL1710K
nLD9	07246200	Light Emitting Diode SEL1710K
nLD10	07246200	Light Emitting Diode SEL1710K
nLD11	07246200	Light Emitting Diode SEL1710K

2-27. F-3342 Control Volume Circuit Board (A-5)

Parts List

Parts No.	Stock No.	Description
jVR1	07257400	Variable Resistor 150 kΩ x 2, volume
jVR2	10054701 (46121700)	Variable Resistor 250 kΩ (B), balance Type I (II)
jVR3	07253400 (46097300)	Variable Resistor 50 kΩ, bass Type I (II)
jVR4	07253400 (46097300)	Variable Resistor 50 kΩ, treble Type I (II)

2-28. F-3344 Headphone Jack & Speaker SW. Circuit Board (A-5)

Parts List

Parts No.	Stock No.	Description
oS5	07252400	Push Switch, speaker
oJ2	46078100	Head Phone Jack

2-29. F-3345 Speaker Terminal Circuit Board (A-5)

Parts List

Parts No.	Stock No.	Description
	07183300	8P Terminal Board, speaker

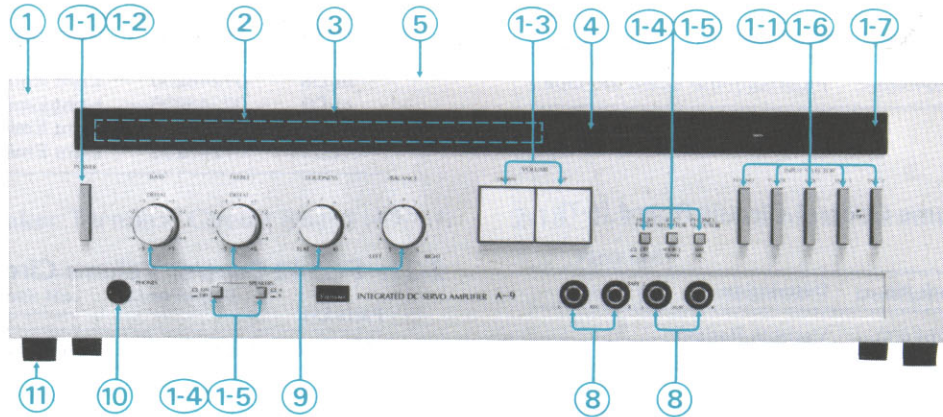
● Abbreviations

C.R.	Carbon Resistor	E.L.	Low Leak Electrolytic Capacitor
S.R.	Solid Resistor	E.B.	Bi-Polar Electrolytic Capacitor
Ce.R.	Cement Resistor	E.BL.	Low Leak Bi-Polar Electrolytic Capacitor
M.R.	Metal Film Resistor	Ta.C.	Tantalum Capacitor
F.R.	Fusing Resistor	F.C.	Film Capacitor
N.I.R.	Non-Inflammable Resistor	M.P.	Metalized Paper Capacitor
C.C.	Ceramic Capacitor	P.C.	Polystyrene Capacitor
C.T.	Ceramic Capacitor, Temperature Compensation	G.C.	Gimmic Capacitor
E.C.	Electrolytic Capacitor		

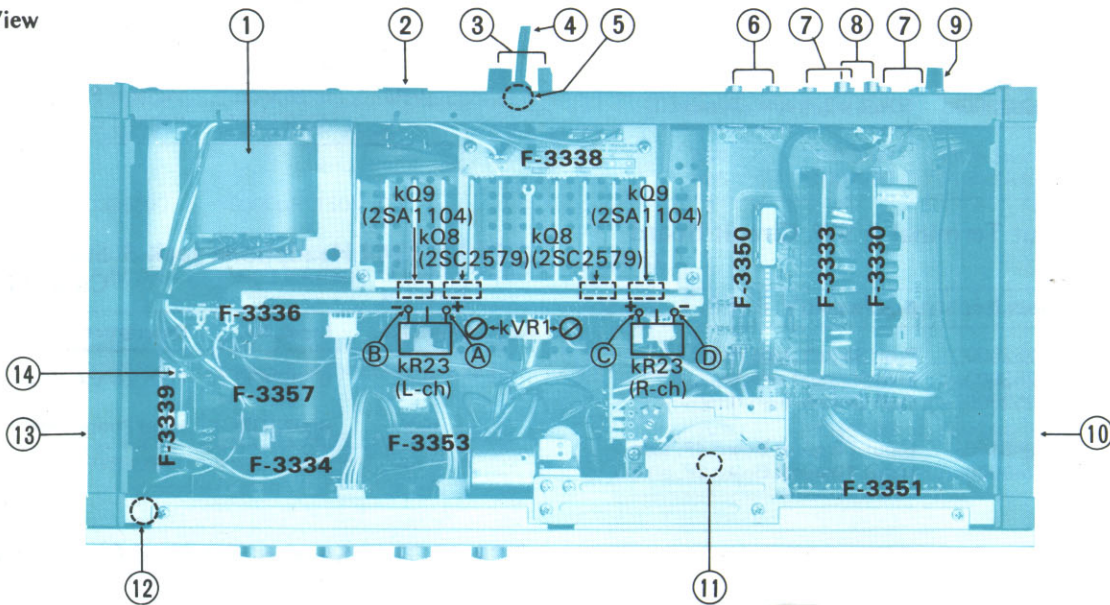
3. OTHER PARTS

3-1. A-9

A) Front View



B) Top View



Parts List <Front View>

Parts No.	Stock No.	Description
2	07253800	Light Emitting Diode (12-point)
3	07680100	Scale Plate
4	07600300	Indicator Film
5	07601300	Bonnet
8	07264500	2P Input Terminal, tape 2
10	46078100	Head Phone Jack
11	07601200	Leg
<Silver Model>		
1	07679120	Front Panel Ass'y <XX>
	07780900	Front Panel Ass'y
1-1	07580300	Push Knob, power
1-2	07628000	Push Knob Guide
1-3	07690400	Push Knob Ass'y, volume
1-4	07580100	Push Knob, speaker, high-filter
1-5	07580900	Push Knob Guide
1-6	07581300	Push Knob Guide
1-7	07738500	Smoked Plate <XX>
	07780700	Smoked Plate
9	07614200	Knob, bass, treble, loudness, balance (I)
	07777600	Knob, bass, treble, loudness, balance (II)
<Black Model>		
1	07679310	Front Panel Ass'y <XX>
	07781000	Front Panel Ass'y
1-1	07580500	Push Knob, power
1-2	07595700	Push Knob Guide
1-3	07663200	Push Knob Ass'y, volume
1-4	07580200	Push Knob, speaker, high-filter
1-5	07580800	Push Knob Guide
1-6	07581200	Push Knob Guide

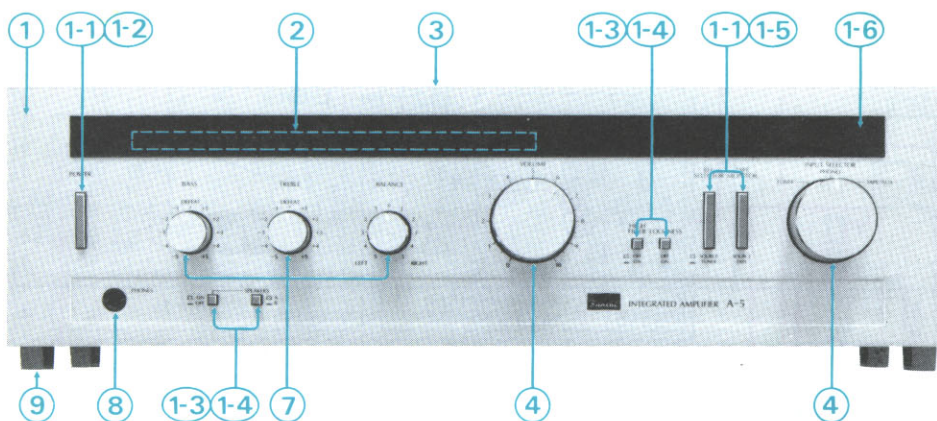
Parts No.	Stock No.	Description
1-7	07672200	Smoked Plate <XX>
	07780800	Smoked Plate
9	07614500	Knob, bass, treble, loudness, balance (I)
	07777800	Knob, bass, treble, loudness, balance (II)

Parts List <Top View>

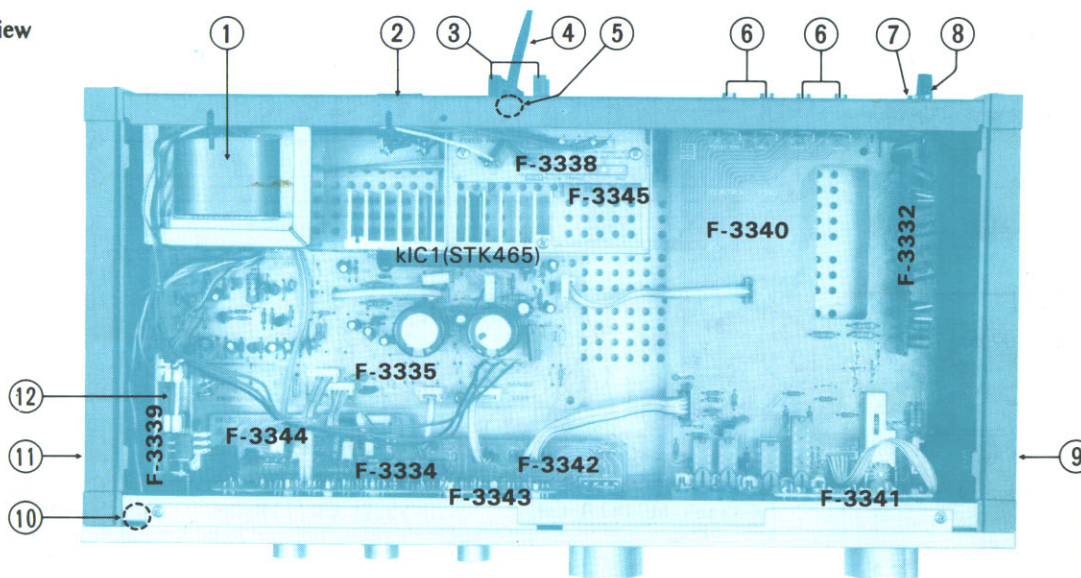
Parts No.	Stock No.	Description
1	15001701	Power Transformer
2	07189600	AC Outlet
3	07183300	Speaker Terminal
4	38004700	Power Supply Cord
5	39106000	Strain Relief
6	07249100	4P Input Terminal, tuner, tv/aux
7	07249100	4P Input Terminal, tape1, tape 2
8	07249000	2P Input Terminal, phono
9	22301500	Ground Terminal
10	07602010	Side Panel (R)
11	04006600	Pilot Lamp 8V 150mA
12	07261100	Pilot Lamp 8V 150mA
13	07601910	Side Panel (L)
14	07189100	Fuse 250V 5A (100V ~ 120V)
	07188700	Fuse 250V 2.5A (220V ~ 240V)
●Power Transistor		
kQ8	07259100, 1	2SC2579LB O, Y
kQ9	07258900, 1	2SA1104LB O, Y

3-3. A-5

A) Front View



B) Top View



Parts List <Front View>

Parts No.	Stock No.	Description
2	07680500	Scale Plate
3	07601300	Bonnet
8	46078100	Head Phone Jack
9	07601200	Leg
<Silver Model>		
1	07679720	Front Panel Ass'y <XX>
	07781300	Front Panel Ass'y
1-1	07580300	Push Knob, power
1-2	07628000	Push Knob Guide
1-3	07580100	Push Knob, speaker, high-filter, loudness
1-4	07580900	Push Knob Guide
1-5	07581300	Push Knob Guide
1-6	07738500	Smoked Plate <XX>
	07780700	Smoked Plate
4	07614100	Knob, volume, input-selector
7	07614200	Knob, bass, treble, balance (I)
	07777600	Knob, bass, treble, balance (II)
<Black Model>		
1	07679910	Front Panel Ass'y <XX>
	07781400	Front Panel Ass'y
1-1	07580500	Push Knob, power
1-2	07595700	Push Knob Guide
1-3	07580200	Push Knob, speaker, high-filter, loudness
1-4	07580800	Push Knob Guide
1-5	07581200	Push Knob Guide
1-6	07672200	Smoked Plate <XX>
	07780800	Smoked Plate

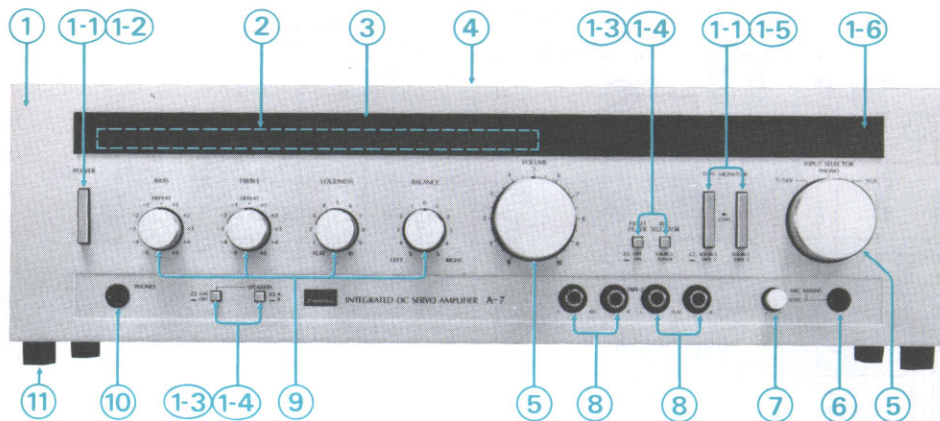
Parts No.	Stock No.	Description
4	07624700	Knob, volume, input-selector
7	07614500	Knob, bass, treble, balance (I)
	07777800	Knob, bass, treble, balance (II)

Parts List <Top View>

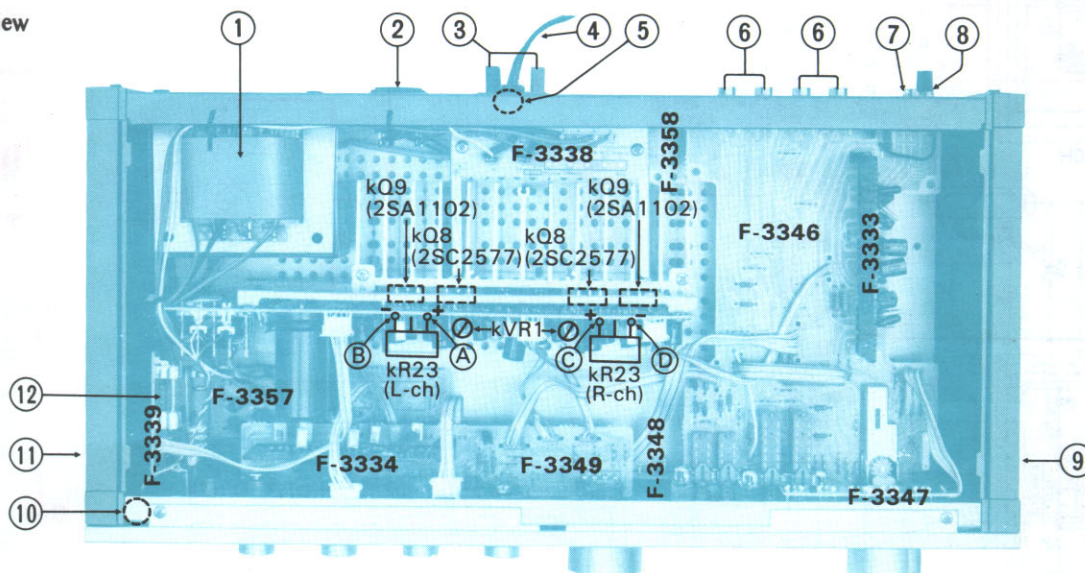
Parts No.	Stock No.	Description
1	15001901	Power Transformer
2	07189600	AC Outlet
3	07183300	Speaker Terminal
4	38004700	Power Supply Cord
5	39106000	Strain Relief
6	07249100	Input Terminal Board 4P, tape
7	07249000	Input Terminal Board 2P, phono
8	22301500	Ground Terminal
9	07602010	Side Panel (R)
10	07261100	Pilot Lamp 8V 150mA
11	07601910	Side Panel (L)
12	07188800	Fuse 250V 3A (100V ~ 120V)
	07188500	Fuse 250V 1.5A (220V ~ 240V)

3-2. A-7

A) Front View



B) Top View



Parts List <Front View>

Parts No.	Stock No.	Description
2	07253800	Light Emitting Diode (12-point)
3	07680300	Scale Plate
4	07601300	Bonnet
6	46078200	MIC Jack
8	07264500	Input Terminal Board 2P, tape 2
10	46078100	Head Phone Jack
11	07601200	Leg
<Silver Model>		
1	07679420	Front Panel Ass'y <XX>
	07781100	Front Panel Ass'y
1-1	07580300	Push Knob, power, tape mon.
1-2	07628000	Push Knob Guide
1-3	07580100	Push Knob, speaker, high-filter, rec
1-4	07580900	Push Knob Guide
1-5	07581300	Push Knob Guide
1-6	07738500	Smoked Plate <XX>
	07780700	Smoked Plate
5	07614100	Knob, volume, input-selector
7	07614300	Knob, mic level
9	07614200	Knob, bass, treble, loudness, balance (I)
	07777600	Knob, bass, treble, loudness, balance (II)
<Black Model>		
1	07679610	Front Panel Ass'y <XX>
	07781200	Front Panel Ass'y
1-1	07580500	Push Knob, power, tape mon.
1-2	07595700	Push Knob Guide
1-3	07580200	Push Knob, speaker, high-filter, rec.
1-4	07580800	Push Knob Guide
1-5	07581200	Push Knob Guide

Parts No.	Stock No.	Description
1-6	07672200	Smoked Plate <XX>
	07780800	Smoked Plate
5	07624700	Knob, volume, input-selector
7	07680600	Knob, mic level
9	07614500	Knob, bass, treble, loudness, balance (I)
	07777800	Knob, bass, treble, loudness, balance (II)

Parts List <Top View>

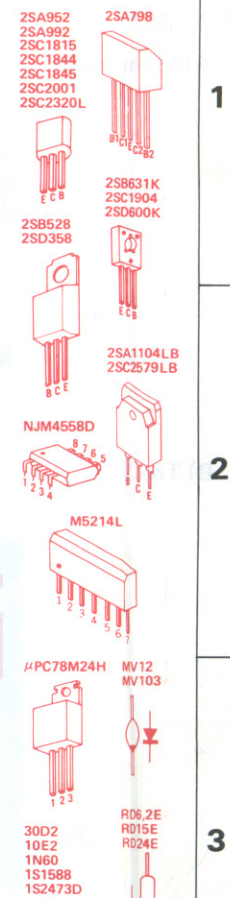
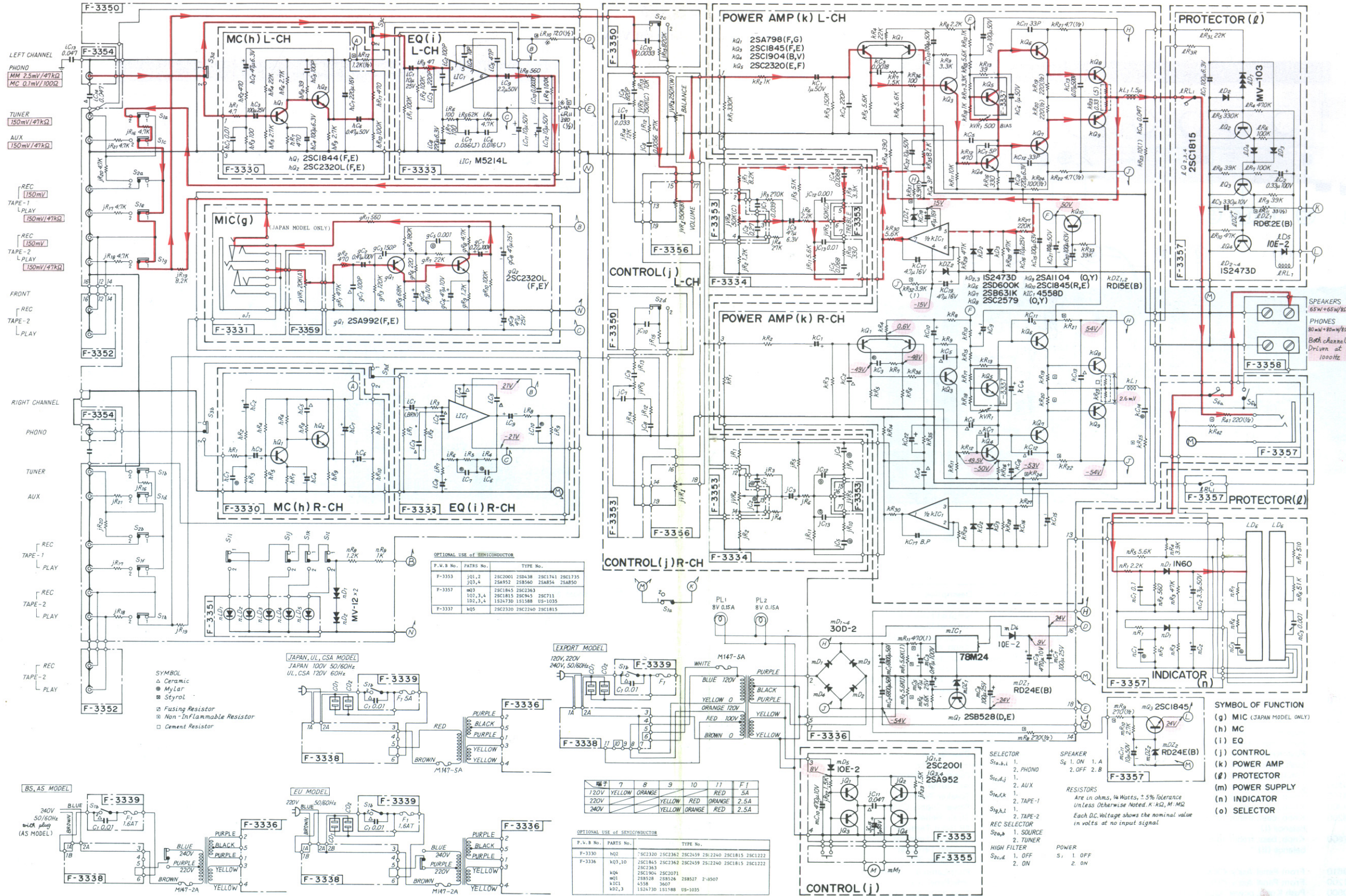
Parts No.	Stock No.	Description
1	15001801	Power Transformer
2	07189600	AC Outlet
3	07183300	Speaker Terminal
4	38004700	Power Supply Cord
5	39106000	Strain Relief
6	07249100	4P Input Terminal, tuner, aux, tape
7	07249000	2P Input Terminal, phono
8	22301500	Ground Terminal
9	07602010	Side Panel (R)
10	07261100	Pilot Lamp 8V 150mA
11	07601910	Side Panel (L)
12	07189000	Fuse 250V 4A (100V ~ 120V)
	07188600	Fuse 250V 2A (220V ~ 240V)
•Power Transistor		
kQ8	07259000, 1	2SC2577LB O, Y
kQ9	07258800, 1	2SA1102LB O, Y

La présentation et les spécifications sont susceptibles d'être modifiées sans préavis par suites d'améliorations éventuelles.
 Änderungen, die dem technischen Fortschritt dienen, bleiben vorbehalten.
 Design and specifications subject to change without notice for improvement.

4. SCHEMATIC DIAGRAM 4-1. A-9

※ JAPAN MODEL ONLY (R10 100 (1/2) Ω, R11 220 (1/2) Ω)

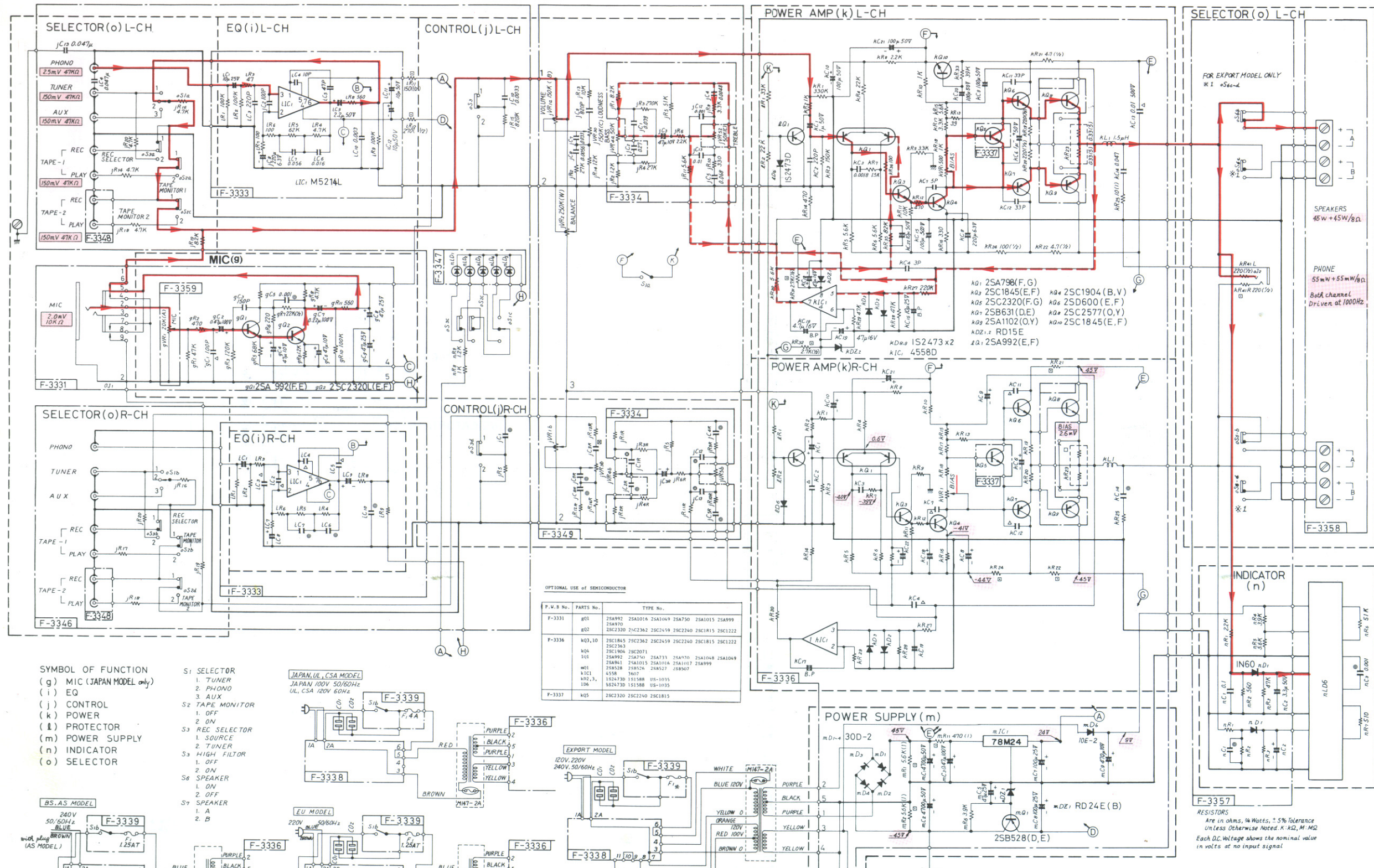
— Signal Line
 - - - N.F.B. Loop



1
 2
 3
 4
 5

La présentation et les spécifications sont susceptibles d'être modifiées sans préavis par suites d'améliorations éventuelles.
 Änderungen, die dem technischen Fortschritt dienen, bleiben vorbehalten.
 Design and specifications subject to change without notice for improvement.

4-2. A-7



— Signal Line
 - - - N.F.B. Loop

- 2SA992
- 2SC1845
- 2SC2320
- 2SA798
- 2SB631
- 2SC1904
- 2SD600
- 2SB528
- 2SD358
- 2SA1102LB
- 2SC2577LB
- M5214L
- MJM4558D
- μPC78M24H
- RD15E
- RD24E
- 1S2473D
- 30D2
- IN60

SYMBOL OF FUNCTION

- (g) MIC (JAPAN MODEL only)
- (i) EQ
- (j) CONTROL
- (k) POWER
- (m) POWER SUPPLY
- (n) INDICATOR
- (o) SELECTOR

S1 SELECTOR

- 1. TUNER
- 2. PHONO
- 3. AUX

S2 TAPE MONITOR

- 1. OFF
- 2. ON

S3 REC SELECTOR

- 1. OFF
- 2. TUNER
- 3. HIGH FILTER

S4 SPEAKER

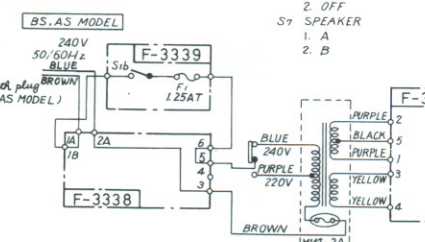
- 1. ON
- 2. OFF

S5 SPEAKER

- 1. A
- 2. B

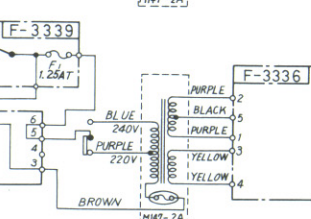
JAPAN, U.L. CSA MODEL

JAPAN 100V 50/60Hz
 U.L. CSA 120V 60Hz



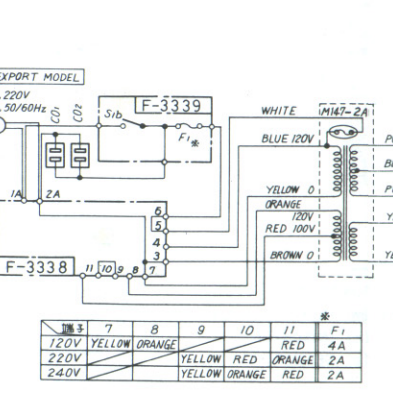
EU MODEL

220V 50/60Hz



OPTIONAL USE OF SEMICONDUCTOR

P.N. No.	PARTS No.	TYPE No.
F-3331	Q1	2SA992 2SA1014 2SA1049 2SA750 2SA1015 2SA899 2SA790
	Q2	2SC2320 2SC2362 2SC2459 2SC2240 2SC1815 2SC1222
F-3336	Q3, 10	2SC1845 2SC2362 2SC2459 2SC2240 2SC1815 2SC1222
	Q4	2SC1904 2SC2071
Q5	101	2SA992 2SA790 2SA751 2SA770 2SA1049 2SA1049 2SA891 2SA1015 2SA1049 2SA1117 2SA899 2SA828 2SA828 2SA827 2SA807 4558 3607
	106	1S2473D 1S1588 US-1015 1S2473D 1S1588 US-1015
F-3337	Q5	2SC2320 2SC2240 2SC1815



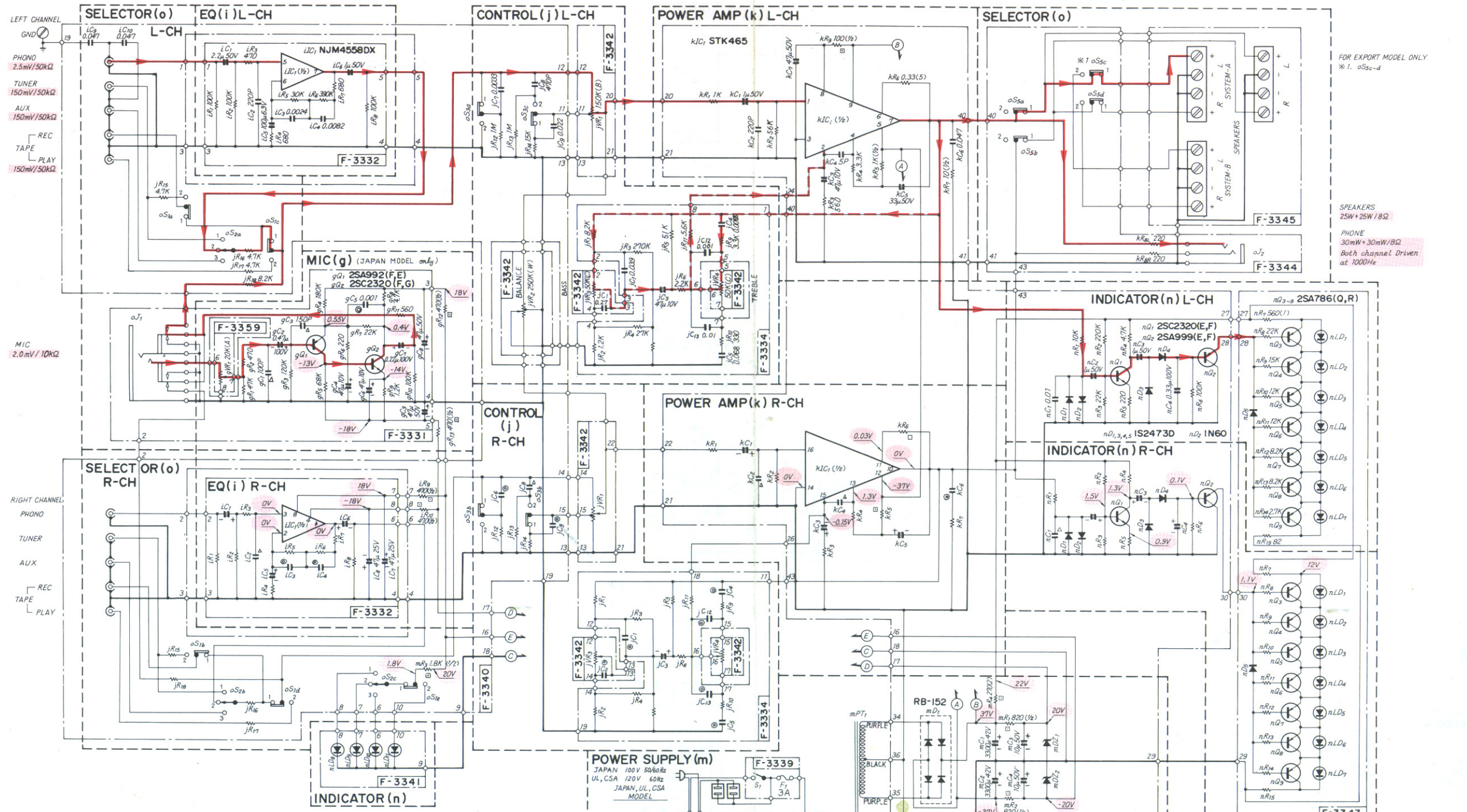
SYMBOL

- △ Ceramic
- Mylar
- ⊗ Non-Inflammable Resistor
- Cement Resistor

RESISTORS
 Are in ohms, in Watts, ±5% Tolerance
 Unless Otherwise Noted. K, M, MS
 Each D.C. Voltage shows the nominal value
 in volts at no input signal

La présentation et les spécifications sont susceptibles d'être modifiées sans préavis par suites d'améliorations éventuelles.
 Änderungen, die dem technischen Fortschritt dienen, bleiben vorbehalten.
 Design and specifications subject to change without notice for improvement.

4-3. A-5



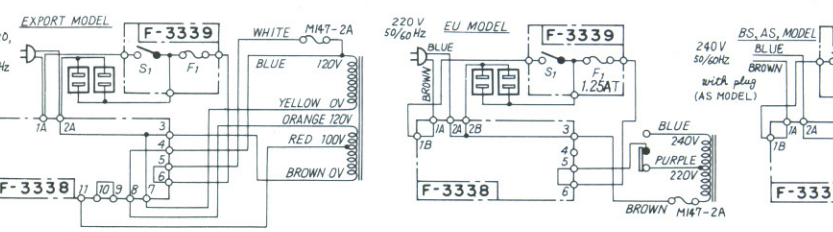
— Signal Line
 - - - N.F.B. Loop

- 2SA992
- 2SA999
- 2SC3020L
- 2SA786
- NJM4558D
- STK465A
- RB152
- 1S2473D
- 1N60
- RD20E

FOR EXPORT MODEL ONLY
 * 1. 0.5Sc-d

SPEAKERS
 25W+25W/8Ω

PHONE
 30mW+30mW/8Ω
 Both channel Driven
 at 1000Hz



7	8	9	10	11	F1
120V	YELLOW	ORANGE		RED	3A
220V	YELLOW	RED	ORANGE		1.5A
240V	YELLOW	ORANGE	RED		1.5A

P.W.B. No.	PARTS No.	TYPE No.
F-3335	nQ1	28C2320 28C945 28C1815 28C711
	nQ2	25A999 25A733 25A1015 25A628
	nQ1,3,4	1S2473D 1S1589 9S-1035
F-3343	nD5	1S2473D 1S1588 9S-1035

SYMBOL OF FUNCTION
 (g) MIC (JAPAN MODEL) (m) POWER SUPPLY
 (i) EQ (n) INDICATOR
 (j) CONTROL (o) SELECTOR
 (k) POWER

SYMBOL
 Δ Ceramic
 ● Film
 ⊖ Non-Inflammable Resistor
 □ Cement Resistor

RESISTORS
 Are in ohms, ¼ Watts, ±5% Tolerance
 Unless Otherwise Noted. K: kΩ, M: MΩ

Each D.C. Voltage shows the nominal value
 in volts at no input signal

SELECTOR
 S1c-d 1. SOURCE
 2. TAPE

2S2a-c 1. TUNER
 2. PHONO
 3. AUX

REC. SELECTOR
 S1a-b 1. SOURCE
 2. TUNER

HIGH FILTER
 S3a-b 1. OFF
 2. ON

LOUDNESS
 1. OFF
 2. ON

SPEAKER
 S5a,b 1. ON
 2. OFF

S5c,d 1. SYSTEM A
 2. SYSTEM B

1
 2
 3
 4
 5

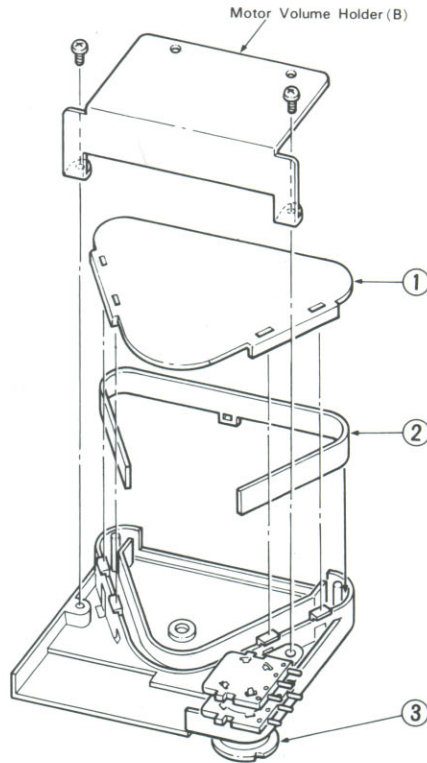
5. ADJUSTMENTS (See Top View on page 9 ~ 10)

- Notes: 1. Level Volume Minimum
 2. Room Temperature . . . 18°C ~ 28°C
 3. For this adjustment, run the unit for more than 3 minutes after the power is switched ON.

5-1. F-3336 Driver Circuit Adjustment (A-9/7)

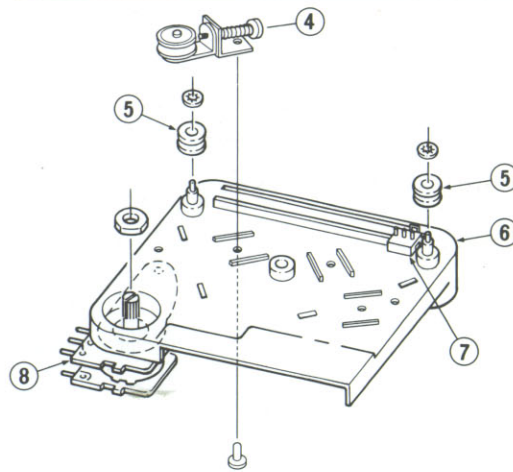
STEP	SUBJECT	MEASURE OUTPUT	ADJUST	ADJUST FOR
1.	Bias current Adj. (L-ch)	Between Point A & Point B	kVR1 (L-ch)	DC 2.6mV
2.	Bias current Adj. (R-ch)	Between Point C & Point D	kVR1 (R-ch)	DC 2.6mV

6. EXPLODED VIEW OF VOLUME CONTROL MECHANISM (A-9)



Parts List

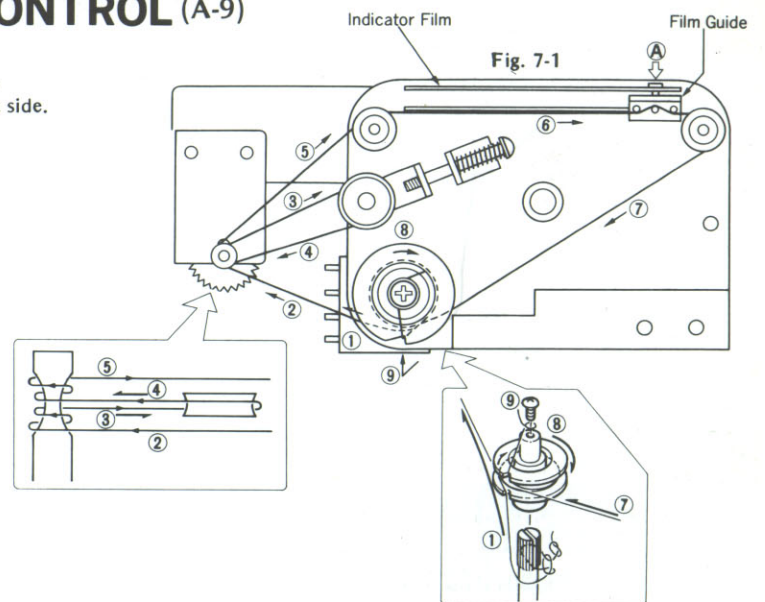
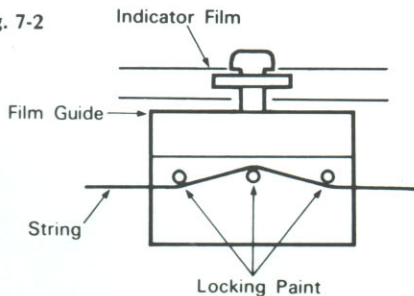
Parts No.	Stock No.	Description
1	07600400	Housing Cover
2	07600300	Indicator Film
3	07600500	Pulley D-17
4	07600910	Tension Ass'y
5	07233400	Pulley (Small)
6	07600210	Housing
7	07600600	Film Guide
8	07242100	Varialbe Resistor 150 kΩ (B) x 2
	07234000	Motor Unit (B)



7. THREADING OF VOLUME CONTROL (A-9)

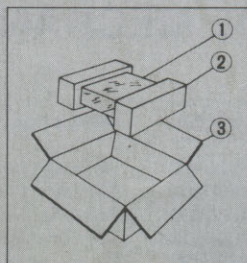
1. Turn the volume control fully clockwise.
2. Thread the string in numerical order from 1 to 9 as Fig. 7-1.
3. Position the indicator film & the film guide at end of right side.
4. Lock the string to the film guide with locking paint. (See Fig. 7-2).

Fig. 7-2



8. PACKING LIST

Parts No.	Stock No.	Description
1	91263810	Vinyl Cover
2	07641000	Styrofoam Packing
3	07680900	Carton Case (A-9, Black)
	07681000	Carton Case (A-9, Silver)
	07681700	Carton Case (A-7, Black)
	07681800	Carton Case (A-7, Silver)
	07682000	Carton Case (A-5, Black)
	07682100	Carton Case (A-5, Silver)



9. ACCESSORY LIST

Stock No.	Description
07668400	Operating Instruction (A-9)
07668600	Operating Instruction (A-7)
07668800	Operating Instruction (A-5)

Sansui

SANSUI ELECTRIC COMPANY LTD.:
SANSUI ELECTRONICS CORPORATION:

14-1, Izumi 2-chome, Suginami-ku, Tokyo 168 Japan PHONE:(03) 323-1111/TELEX:232-2076
1250 Valley Brook Ave. Lyndhurst, N.J. 07071 U.S.A.
333 West Alondra Blvd. Gardena, California 90247 U.S.A.
3036 Koapaka St. Honolulu, Hawaii 96819 U.S.A.

SANSUI ELECTRONICS (U.K.) LTD.:
SANSUI ELECTRONICS G.M.B.H.:

Unit 10A, Lyon Industrial Estate, Rockware Avenue, Greenford, Middx UB6, OAA, England
Arabella center, 6 Frankfurt AM Main, Lyoner Strasse 44-48, West Germany