

THIS DOCUMENT CONTAINS PROPRIETARY INFORMATION WHICH IS THE PROPERTY OF QSC AUDIO PRODUCTS, THAT MAY NOT BE DISCLOSED, REPRODUCED OR USED WITHOUT EXPRESS WRITTEN CONSENT FROM QSC AUDIO PRODUCTS.

- 5. J104, J204 ARE CONNECTED PIN TO PIN BY 13-LINE RIBBON CABLE.
- 4. PART NUMBERING SCHEME
PARTS IN COMMON TO BOTH CH: 1-99. CH 1 PARTS 101-199, CH 2 PARTS 201-299.
- 3. COMPONENTS MARKED WITH Δ ARE SAFETY CRITICAL PARTS.
- 2. COMPONENTS WITH VALUE PREFIXED WITH A "*" REPRESENT SMT COMPONENTS.
- 1. THIS DRAWING USED IN CONJUNCTION WITH ASSEMBLY WP-002451-00

NOTES: UNLESS OTHERWISE SPECIFIED

QTY	ITEM NO.	PART NO.	DESCRIPTION	VENDOR
PARTS LIST				
UNLESS OTHERWISE SPECIFIED DIMENSIONS ARE IN INCHES. DIMENSIONS PER ANSI Y14.5-1982 TOLERANCES ARE: DECIMALS DECIMALS ANGLES .xx ± .xxx ± 0			CONTRACT NO.	
DEBURR EDGES .XXX R MAX MATERIAL			APPROVALS	DATE
FINISH			DRAWN PAT QUILTER	2-25-00
NEXT ASSY USED ON			CHECKED	
APPLICATION			ISSUED	
DO NOT SCALE DRAWING			CAD SEED FILE NO.	PLOT DATE: Fri May 05, 2000
			SCALE NONE	CAD FILE NO. Sh2451R4.sch
			SHEET 1 OF 4	

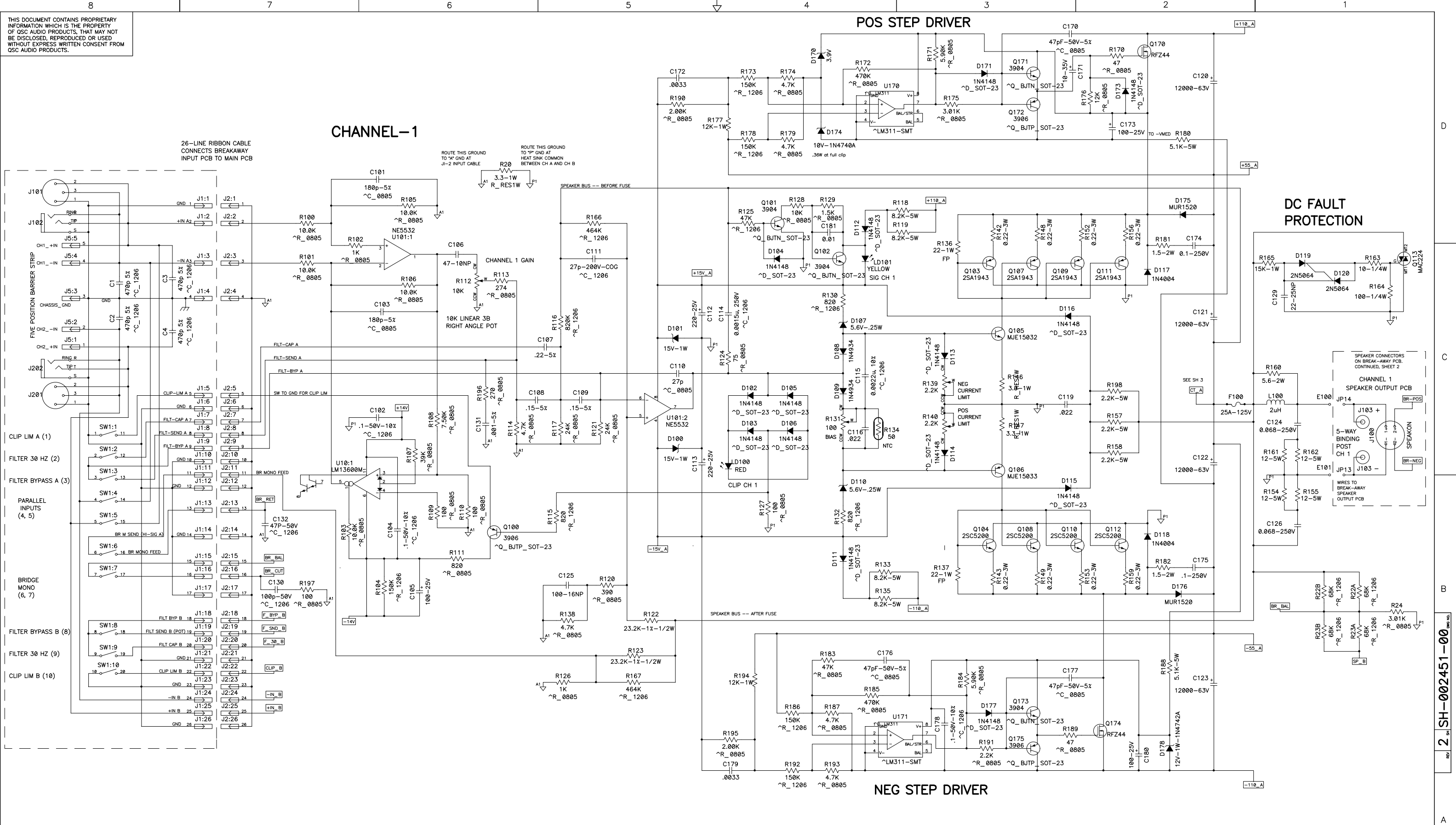
QSC AUDIO PRODUCTS, INC.
COSTA MESA, CALIFORNIA

SCHEMATIC DIAGRAM
RMX 2450

SIZE D FSCM NO. DWG NO. SH-002451-00 REV

2 SH-002451-00

THIS DOCUMENT CONTAINS PROPRIETARY INFORMATION WHICH IS THE PROPERTY OF QSC AUDIO PRODUCTS, THAT MAY NOT BE DISCLOSED, REPRODUCED OR USED WITHOUT EXPRESS WRITTEN CONSENT FROM QSC AUDIO PRODUCTS.



NOTES: UNLESS OTHERWISE SPECIFIED

SIZE	FSCM NO.	DWG NO.	REV
D		SH-002451-00	
SCALE	NONE	CAD FILE NO.	SHEET 2 OF 4
P:\NGPE PRODUCTS\RMX-SERIES\QSC\2450			PLOT DATE: Fri May 05, 2000

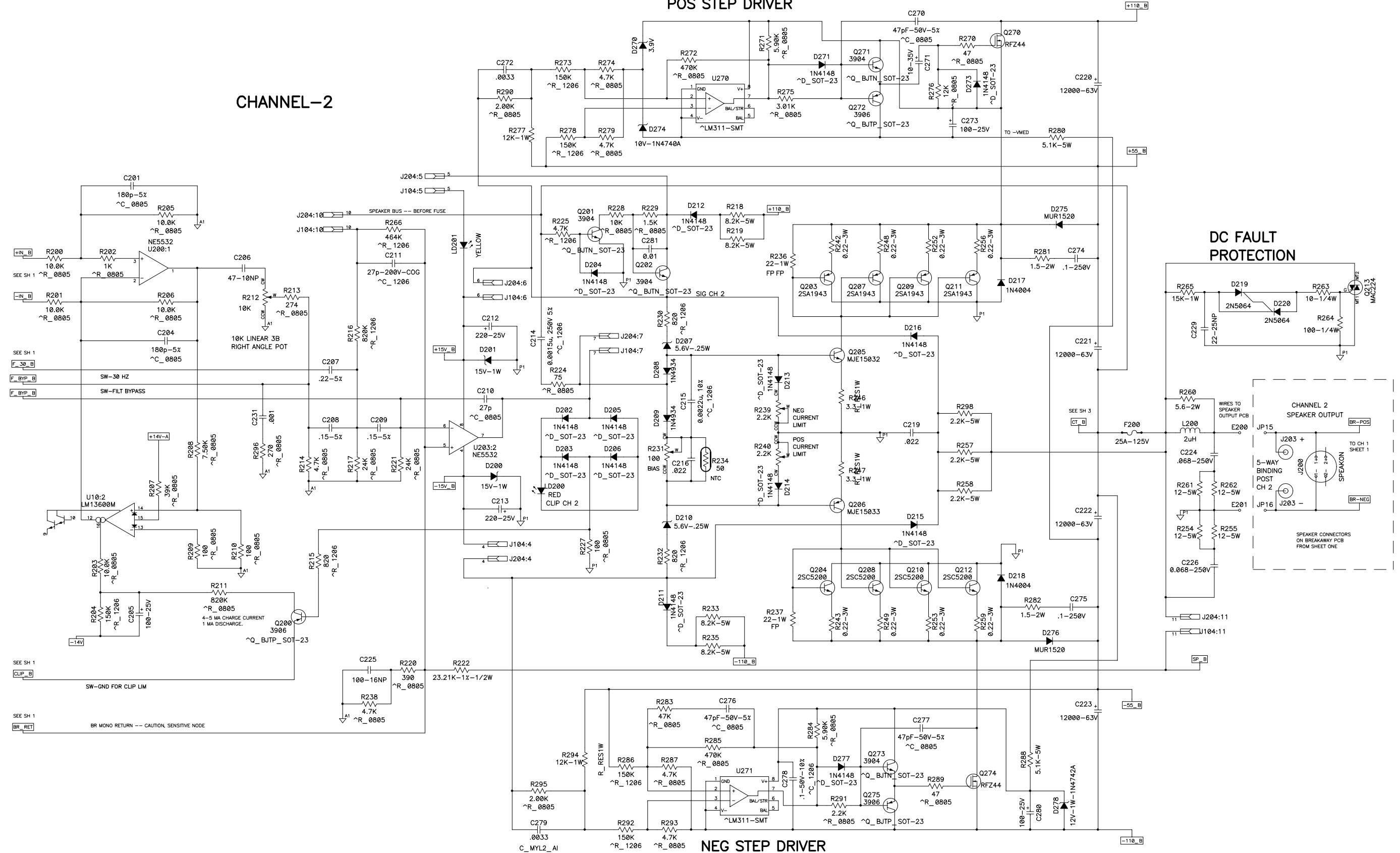
THIS DOCUMENT CONTAINS PROPRIETARY INFORMATION WHICH IS THE PROPERTY OF QSC AUDIO PRODUCTS, THAT MAY NOT BE DISCLOSED, REPRODUCED OR USED WITHOUT EXPRESS WRITTEN CONSENT FROM QSC AUDIO PRODUCTS.

POS STEP DRIVER

CHANNEL-2

NEG STEP DRIVER

DC FAULT PROTECTION



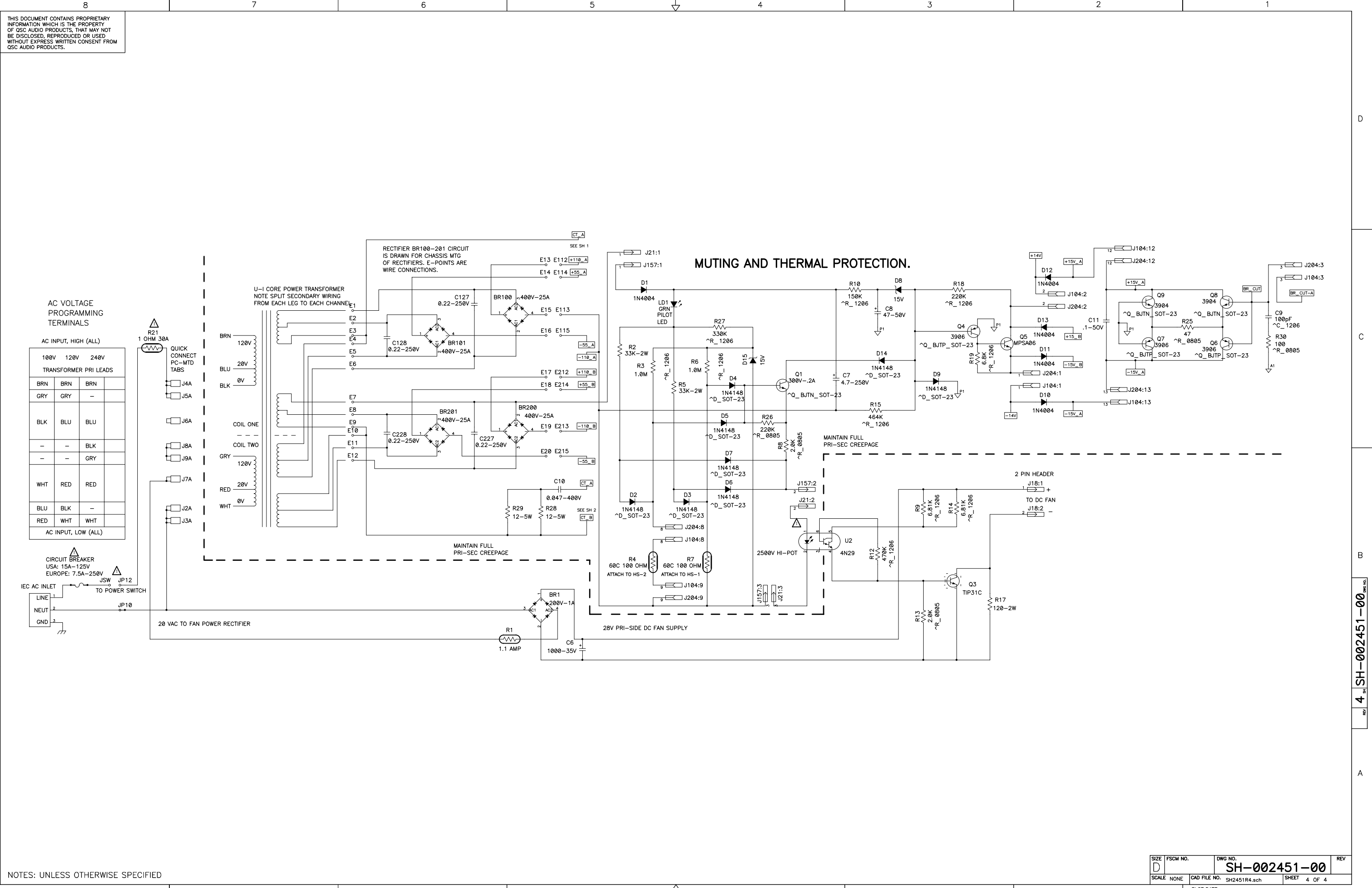
NOTES: UNLESS OTHERWISE SPECIFIED

SIZE	FSCM NO.	DWG NO.	REV
D		SH-002451-00	
SCALE	NONE	CAD FILE NO. SH2451R4.sch	SHEET 3 OF 4

PLOT DATE: Fri May 05, 2000

3 SH-002451-00

THIS DOCUMENT CONTAINS PROPRIETARY INFORMATION WHICH IS THE PROPERTY OF QSC AUDIO PRODUCTS, THAT MAY NOT BE DISCLOSED, REPRODUCED OR USED WITHOUT EXPRESS WRITTEN CONSENT FROM QSC AUDIO PRODUCTS.



NOTES: UNLESS OTHERWISE SPECIFIED

SIZE	FSCM NO.	DWG NO.	REV
D		SH-002451-00	
SCALE	NONE	CAD FILE NO. SH2451R4.sch	SHEET 4 OF 4
PLOT DATE: Fri May 05, 2000		1	

4 SH-002451-00

THIS DOCUMENT CONTAINS PROPRIETARY INFORMATION WHICH IS THE PROPERTY OF QSC AUDIO PRODUCTS, THAT MAY NOT BE DISCLOSED, REPRODUCED OR USED WITHOUT EXPRESS WRITTEN CONSENT FROM QSC AUDIO PRODUCTS.

REVISION				
REV	DESCRIPTION	EFF. DATE	CHK	APPROVED / DATE
A	PRODUCTION RELEASE PER ECO 4676 AA	9-26-01		DD 11-20-01
B	REVISED PER ECO 4820 AA	4-08-02		DD
C	REVISED PER ECO 4844 AA	4-08-02		DD
D	REVISED PER ECO 4849 AA	7-10-02		DD
E	REVISED PER ECO 4893 AA	4-25-03		DD
F	REVISED PER ECO 5958 AA	12-15-03		

- 11. ZENER TOLERANCE IS 5%
- 10. SMT CAPACITOR VOLTAGE IS 50V
- 9. SMT RESISTOR WATTAGE RATING IS 0.1W
- 8. RESISTOR WATTAGE RATING IS 1/4W
FOR RESISTOR WATTAGE RATINGS GREATER THAN 1W, TOLERANCE IS 5%
FOR RESISTOR WATTAGE RATINGS LESS THAN 1/2W, TOLERANCE IS 1%
- 7. THROUGH-HOLE FILM AND CERAMIC CAPACITOR TOLERANCE IS 10%, VOLTAGE IS 100V
- 6. ELECTROLYTIC CAPACITOR TOLERANCE IS 20%
- 5. J104, J204 ARE CONNECTED PIN TO PIN BY 13-LINE RIBBON CABLE.
- 4. PART NUMBERING SCHEME
PARTS IN COMMON TO BOTH CH: 1-99. CH 1 PARTS 101-199, CH 2 PARTS 201-299.
- 3. COMPONENTS MARKED WITH Δ ARE SAFETY CRITICAL PARTS.
- 2. COMPONENTS WITH VALUE PREFIXED WITH A "*" REPRESENT SMT COMPONENTS.
- 1. THIS DRAWING USED IN CONJUNCTION WITH ASSEMBLY WP-002451-00

NOTES: UNLESS OTHERWISE SPECIFIED

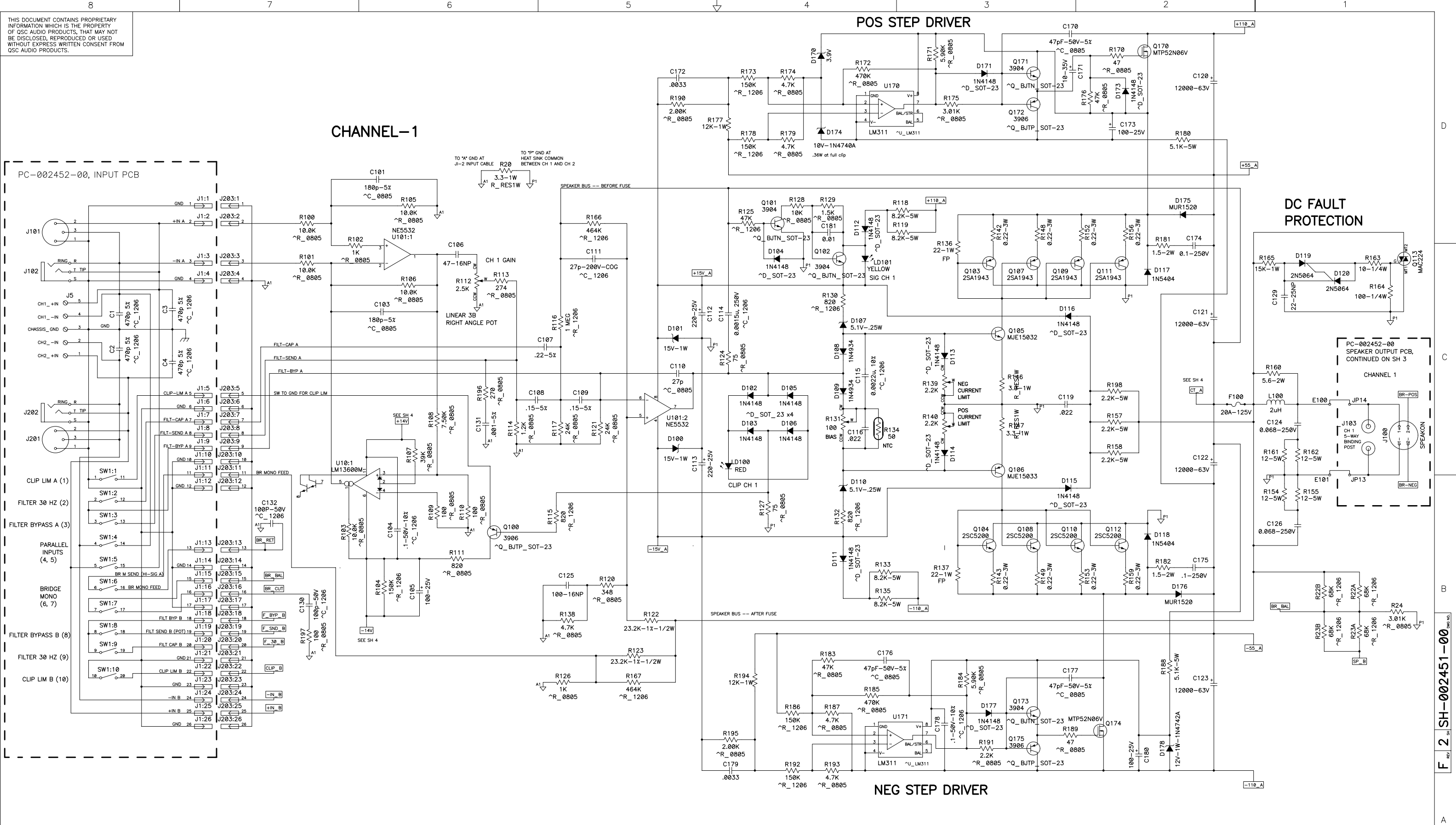
QTY	ITEM NO.	PART NO.	DESCRIPTION	VENDOR
PARTS LIST				
UNLESS OTHERWISE SPECIFIED DIMENSIONS ARE IN INCHES. DIMENSIONS PER ANSI Y14.5-1982 TOLERANCES ARE: DECIMALS DECIMALS ANGLES .XX ± .XXX ± °			CONTRACT NO.	
DEBURR EDGES .XXX R MAX MATERIAL			APPROVALS	DATE
FINISH			DRAWN P/Q	2-25-00
NEXT ASSY USED ON			CHECKED A. ARANDA	9-26-01
APPLICATION			ISSUED D. DELARM	12-12-01
DO NOT SCALE DRAWING			CAD SEED FILE NO.	PLOT DATE: Tue Dec 16, 2003
			SCALE NONE	CAD FILE NO. SH2451F.SCH
			SIZE FSCM NO.	DWG NO. SH-002451-00
			SHEET 1 OF 4	REV F

QSC AUDIO PRODUCTS, INC.
COSTA MESA, CALIFORNIA

SCHEMATIC DIAGRAM
RMX 2450

F REV 1 SH-002451-00

THIS DOCUMENT CONTAINS PROPRIETARY INFORMATION WHICH IS THE PROPERTY OF QSC AUDIO PRODUCTS, THAT MAY NOT BE DISCLOSED, REPRODUCED OR USED WITHOUT EXPRESS WRITTEN CONSENT FROM QSC AUDIO PRODUCTS.



NOTES: UNLESS OTHERWISE SPECIFIED

SIZE	FSCM NO.	DWG NO.	REV
D		SH-002451-00	F
SCALE	NONE	CAD FILE NO.	SHEET 2 OF 4
P:\GPE PRODUCTS\RMX-SERIES\QSC\2450			PLOT DATE: Tue Dec 16, 2003

F 2 SH-002451-00

THIS DOCUMENT CONTAINS PROPRIETARY INFORMATION WHICH IS THE PROPERTY OF QSC AUDIO PRODUCTS, THAT MAY NOT BE DISCLOSED, REPRODUCED OR USED WITHOUT EXPRESS WRITTEN CONSENT FROM QSC AUDIO PRODUCTS.

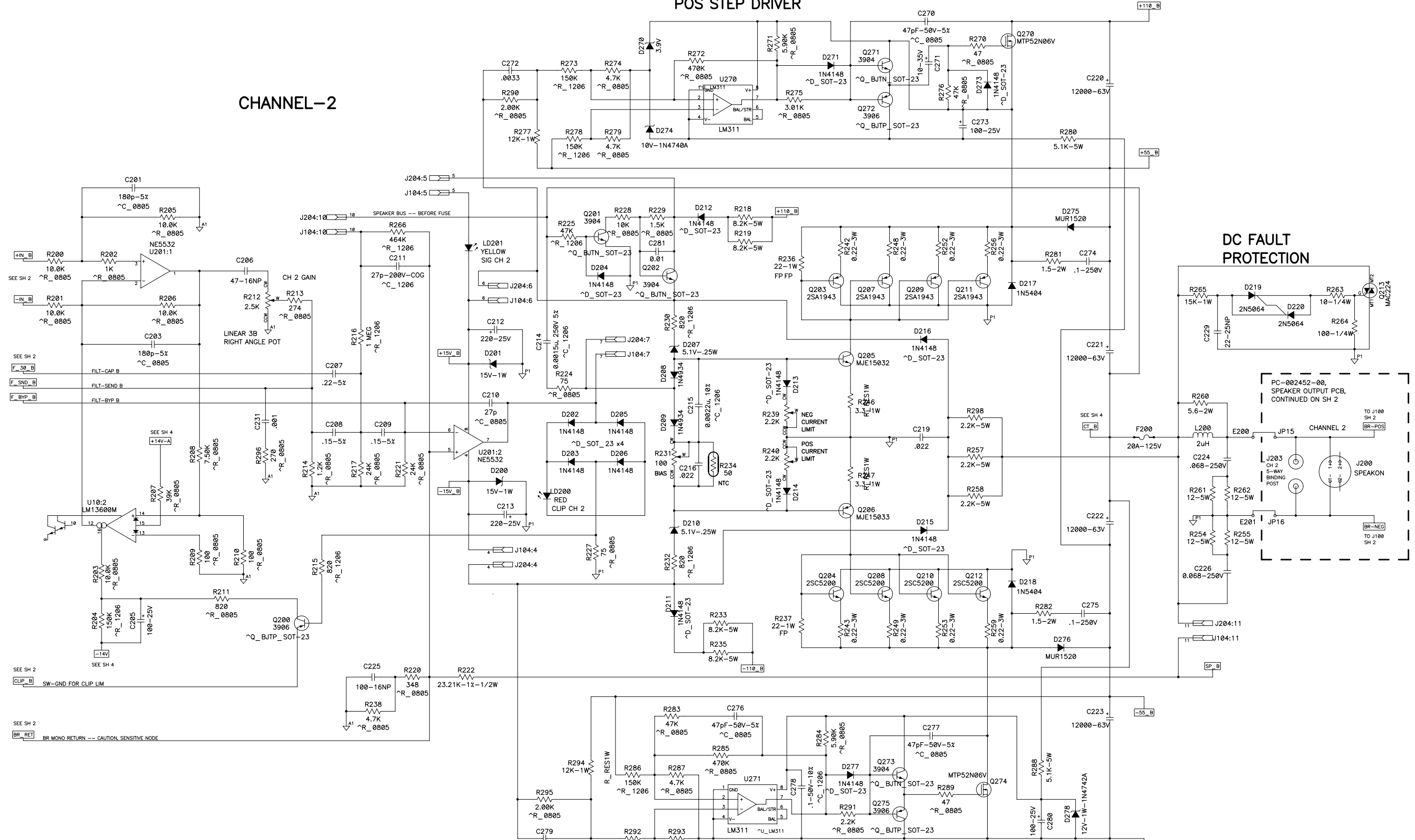
8 7 6 5 4 3 2 1

CHANNEL-2

POS STEP DRIVER

NEG STEP DRIVER

DC FAULT PROTECTION



NOTES: UNLESS OTHERWISE SPECIFIED

SIZE	FSCM NO.	DWG NO.	REV
D		SH-002451-00	F
SCALE	NONE	CAD FILE NO. SH2451rf.SCH	SHEET 3 OF 4

PLOT DATE: Tue Dec 16, 2003

8 7 6 5 4 3 2 1

F 3 SH-002451-00

THIS DOCUMENT CONTAINS PROPRIETARY INFORMATION WHICH IS THE PROPERTY OF OSC AUDIO PRODUCTS, THAT MAY NOT BE DISCLOSED, REPRODUCED OR USED WITHOUT EXPRESS WRITTEN CONSENT FROM OSC AUDIO PRODUCTS.

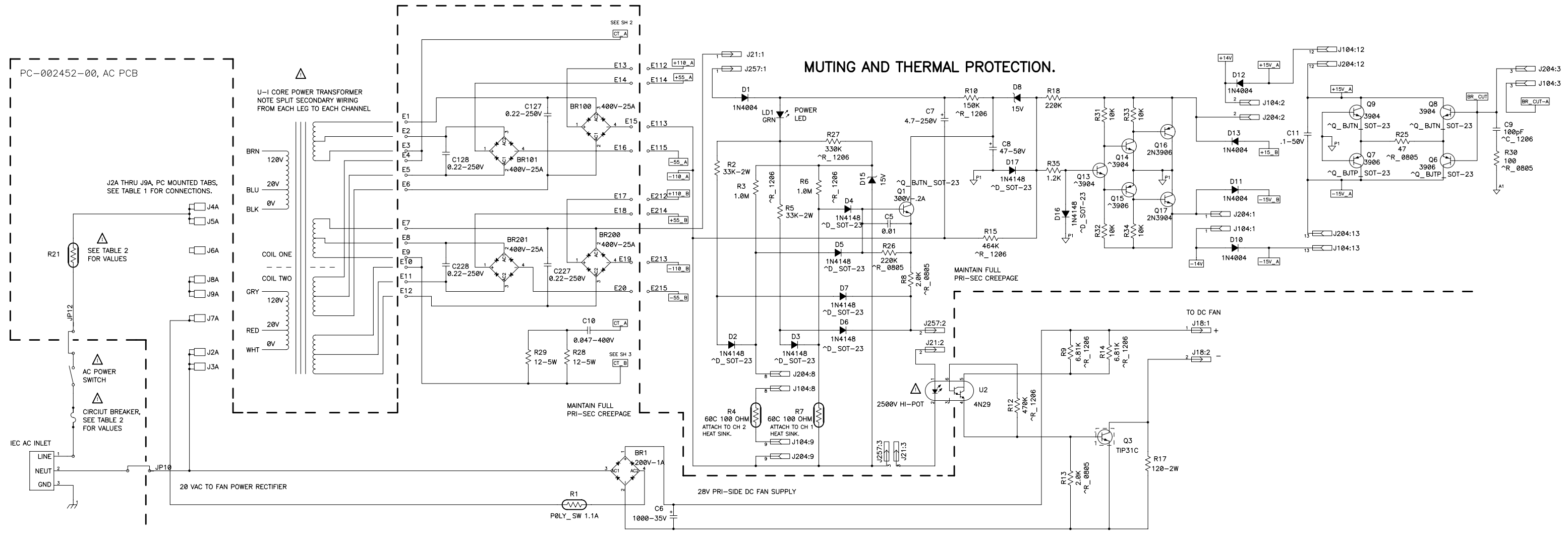


TABLE 1

TAB	AC LINE VOLTAGE			POWER TRANSFORMER PRIMARY LEAD COLOR
	100V	120V	240V	
J2A	BLU	BLK	--	
J3A	RED	WHT	WHT	
J4A	BRN	BRN	BRN	
J5A	GRY	GRY	--	
J6A	BLK	BLU	BLU	
J7A	WHT	RED	RED	
J8A	--	--	BLK	
J9A	--	--	GRY	

TABLE 2

	AC LINE VOLTAGE		
	100V	120V	240V
CIRCUIT BREAKER	15A-125V	15A-125V	7.5A-250V
R21	1 OHM 30A	1 OHM 30A	1 OHM 30A

NOTES: UNLESS OTHERWISE SPECIFIED

F 4 SH-002451-00