

SOLID AMPLIFIERS

Service Manual - May 2008

SOLID 2 Amplifier

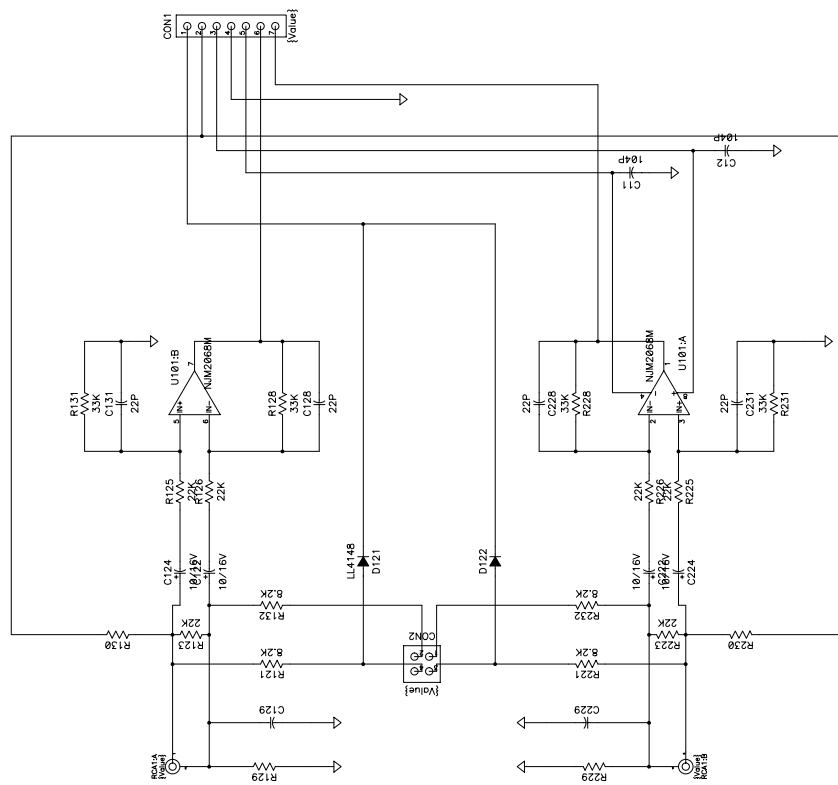



FOCAL[®]
the Spirit of Sound

Summary

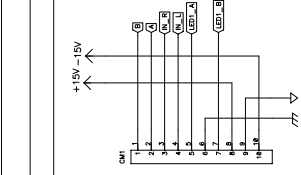
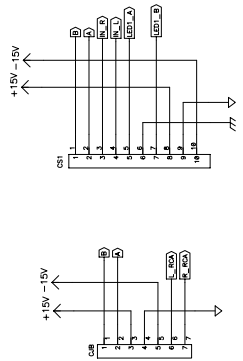
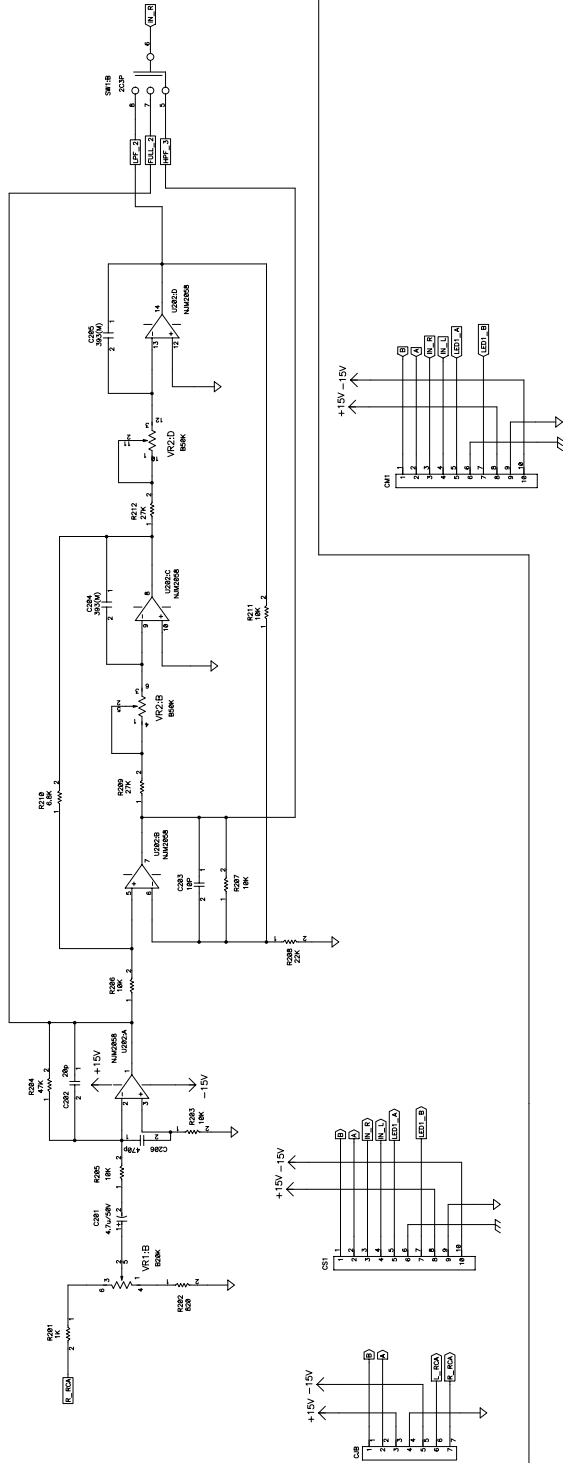
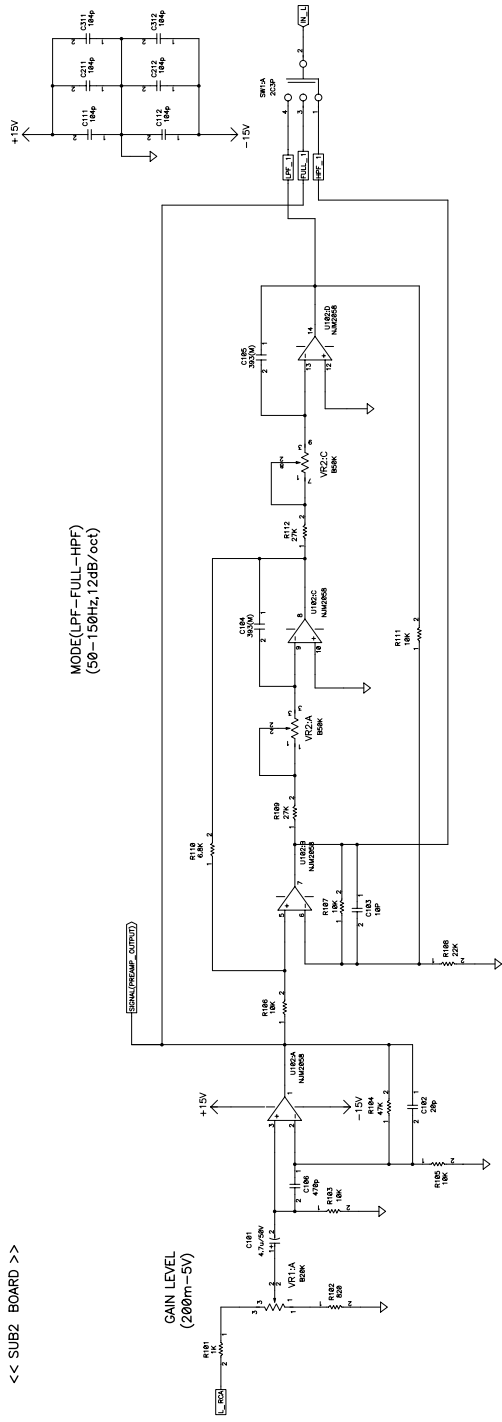


	page
Circuit diagram	3 to 6
Components layout	7 to 9
Parts list	10 to 13
List of spare parts	15

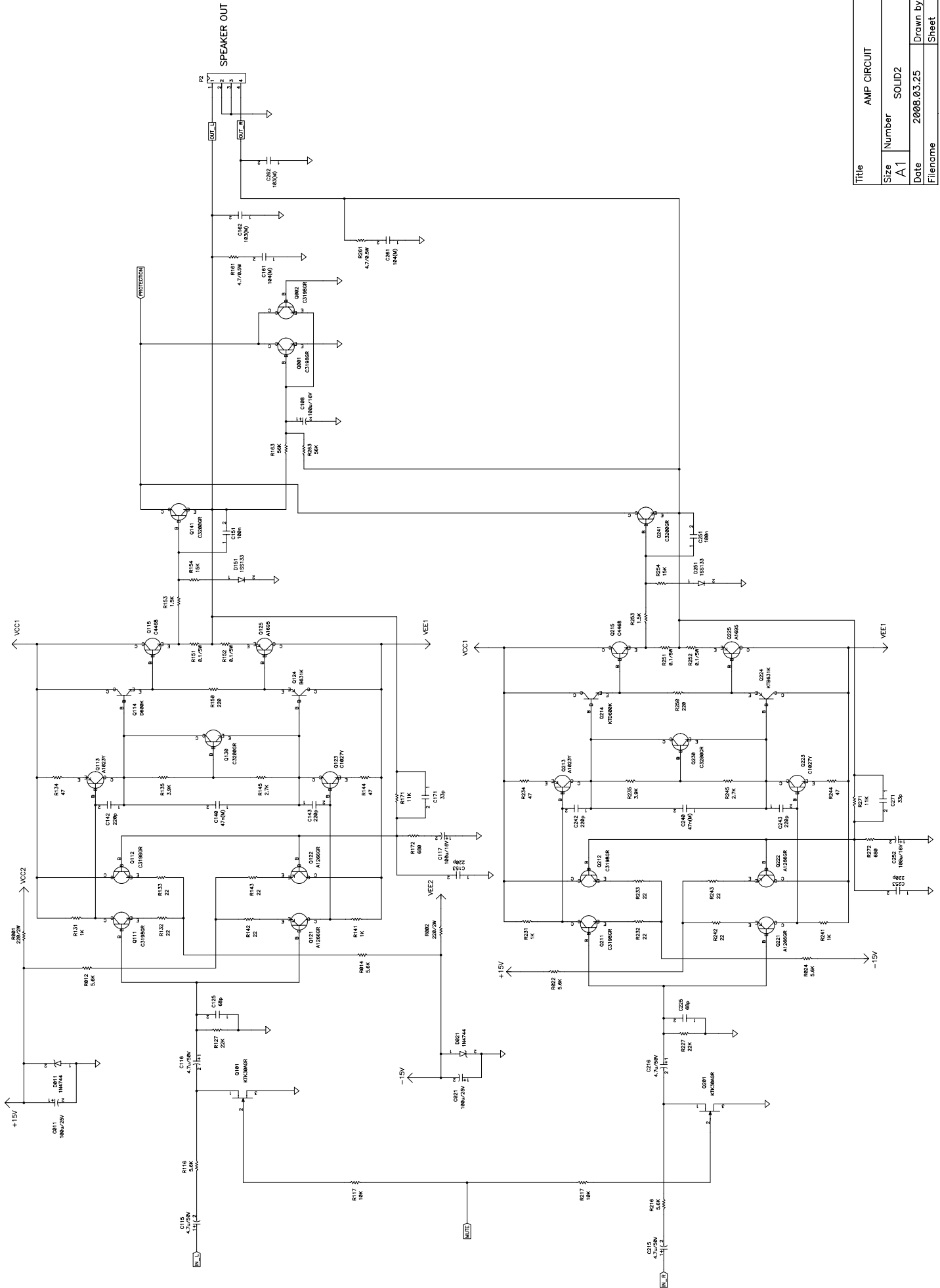


Title		SOLID2 SUB1	
Size	Number	Rev	
Date	2008.03.25	Drawn by	
Filename		Sheet	1 of 1

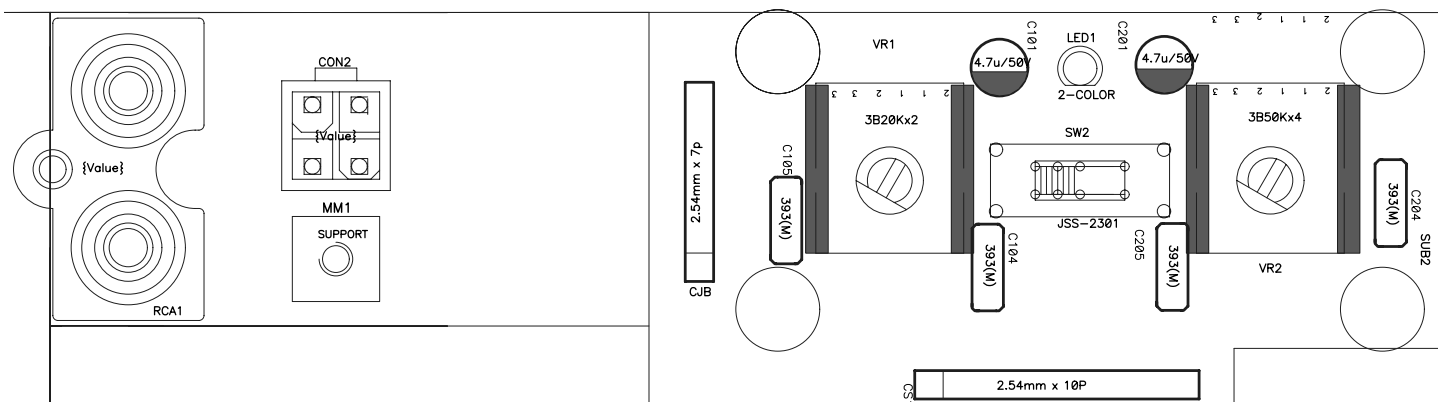
<< SUB2 BOARD >>



Title		SOLID2	
Size	Number	Rev	02
A1			
Date	2008.03.25	Drawn by	
Filename		Sheet	1 of 3



Title		AMP CIRCUIT	
Size	Number	SOLID2	Rev
A1			02
Date	2008.03.25		Drawn by
Filename	Sheet	2	of 3



CUSTOMER: FOCAL		MODEL: SOLID2 RED				
No	Material#	Material Name	Specifications	#of use	REFERENCE DESIGN NO	
MAIN PCB AI PART						
1	3,1	36.1.SOLID211121	PCB			
2	4,1	36.1.SOLID211111	SINGLE SIDE P.C.B	PENOLE FR-1 (1Oz 1.6T)"BLUE"单面 134x183mm	1	
3	4,1	05.111.05YA1023	AUDION	SMALL SIGNAL PNP,TO-92LKT1023Y	3	Q01,113,213
4	4,1	05.111.05YC1027	AUDION	SMALL SIGNAL PNP,TO-92LKT1027Y	2	Q123,223
5	4,1	05.811.03GRA1266	AUDION	SMALL SIGNAL PNP,TO-92LKT1266GR	9	Q12,13,22,23,33,121,122,221,222
6	4,1	05.811.03GRC3198	AUDION	SMALL SIGNAL NPN,TO-92KTC3198GR	11	Q001,02,002,03,04,05,21,111,112,211,212
7	4,1	05.811.03GRC3200	AUDION	SMALL SIGNAL NPN,TO-92KTC3200GR	2	Q141,241
8	4,1	04.111.31IN4148L	DIODE	SWITCHING SIGNALLL4148	8	D11,21,22,31,91,92,151,251
9	4,1	04.111.31IN4004	DIODE	RECOVERY DIODE1N4004	1	D1
10	4,1	04.111.31FR154	DIODE	FAST RECOVERYFR154/1504	4	D51,52,53,54
11	4,1	04.113.31IN4744A	DIODE	ZENER DIODE (1W 15V)1N4744	2	D011,021
12	4,1	01.1104.0940100	CARBON FILM RESISTOR	CARBON FILM 1/8W J10 OHM	1	R15
13	4,1	01.1104.0940220	CARBON FILM RESISTOR	CARBON FILM 1/8W J22 OHM	8	R132,133,142,143,232,233,242,243
14	4,1	01.1104.0940470	CARBON FILM RESISTOR	CARBON FILM 1/8W J47 OHM	4	R134,144,234,244
15	4,1	01.1104.0940221	CARBON FILM RESISTOR	CARBON FILM 1/8W220	4	R41,51,150,250
16	4,1	01.1104.0940681	CARBON FILM RESISTOR	CARBON FILM 1/8W680	2	R172,272
17	4,1	01.1104.0940821	CARBON FILM RESISTOR	CARBON FILM 1/8W820	1	R16
18	4,1	01.1104.0940102	CARBON FILM RESISTOR	CARBON FILM 1/8W J1K OHM	6	R31,52,131,141,231,241
19	4,1	01.1104.0940122	CARBON FILM RESISTOR	CARBON FILM 1/8W1.2K	1	R58
20	4,1	01.1104.0940152	CARBON FILM RESISTOR	CARBON FILM 1/8W J1.5K OHM	2	R153,253
21	4,1	01.1104.0940222	CARBON FILM RESISTOR	CARBON FILM 1/8W2.2K	1	R59
22	4,1	01.1104.0940272	CARBON FILM RESISTOR	CARBON FILM 1/8W J2.7K OHM	2	R145,245
23	4,1	01.1104.0940392	CARBON FILM RESISTOR	CARBON FILM 1/8W J3.9K OHM	2	R135,235
24	4,1	01.1104.0940472	CARBON FILM RESISTOR	CARBON FILM 1/8W J4.7K OHM	4	R01,02,12,17
25	4,1	01.1104.0940562	CARBON FILM RESISTOR	CARBON FILM 1/8W J5.6K OHM	6	R012,014,022,024,116,216
26	4,1	01.1104.0940103	CARBON FILM RESISTOR	CARBON FILM 1/8W J10K OHM	9	R04,05,13,14,56,92,93,117,217
27	4,1	01.1104.0940113	CARBON FILM RESISTOR	CARBON FILM 1/8W11K	2	R171,271
28	4,1	01.1104.0940153	CARBON FILM RESISTOR	CARBON FILM 1/8W J15K OHM	5	R11,34,35,154,254
29	4,1	01.1104.0940223	CARBON FILM RESISTOR	CARBON FILM 1/8W J22K OHM	5	R22,32,57,127,227
30	4,1	01.1104.0940333	CARBON FILM RESISTOR	CARBON FILM 1/8W J33K OHM	1	R33
31	4,1	01.1104.0940473	CARBON FILM RESISTOR	CARBON FILM 1/8W J47K OHM	1	R21
32	4,1	01.1104.0940563	CARBON FILM RESISTOR	CARBON FILM 1/8W J56K OHM	2	R163,263
33	4,1	01.1104.0940104	CARBON FILM RESISTOR	CARBON FILM 1/8W J100K OHM	1	R06
34	4,1	01.1104.0940224	CARBON FILM RESISTOR	CARBON FILM 1/8W J220K OHM	1	R91
35	4,1	01.1104.0140470	CARBON FILM RESISTOR	CARBON FILM 1/4WJ47	2	R43,53
36	4,1	01.1104.0140102	CARBON FILM RESISTOR	CARBON FILM 1/4WJ1K	1	R42
37	4,1	01.1101.02204R7	METAL FILM RESISTOR	METAL FILM 1/2WJ4.7 OHM	2	R161,261
38	4,1	01.1101.0220100	METAL FILM RESISTOR	METAL FILM 1/2WJ10 OHM	1	R03
39	4,1	03.1103.0805040310501R02	ELECTROLYTIC CAPACITOR	ELECTROLYTIC"MHA/SD"1/50V	1	C19
40	4,1	03.1103.0811050310502R22	ELECTROLYTIC CAPACITOR	ELECTROLYTIC "SHL"2.2uF/50V	3	C06,57,67
41	4,1	03.1103.0811050310504R72	ELECTROLYTIC CAPACITOR	ELECTROLYTIC "SHL"4.7uF/50V	4	C115,116,215,216
42	4,1	03.1103.0811050310251002	ELECTROLYTIC CAPACITOR	ELECTROLYTIC "SHL"10uF/25V	1	C15
43	4,1	03.1103.0811050310164702	ELECTROLYTIC CAPACITOR	ELECTROLYTIC "SHL"47uF/16V	5	C11,12,13,14,16
44	4,1	03.1103.0811050310354702	ELECTROLYTIC CAPACITOR	ELECTROLYTIC"MHA/SD"47/35V	1	C92
45	4,1	03.1103.0811050310161012	ELECTROLYTIC CAPACITOR	ELECTROLYTIC "SHL"100uF/16V	3	C108,152,217
46	4,1	03.1103.0805080310251012	ELECTROLYTIC CAPACITOR	ELECTROLYTIC"MHA/SD"100/25V	1	C011
47	4,1	03.1103.0811050310161002	ELECTROLYTIC CAPACITOR	ELECTROLYTIC "SHL"10uF/16V	1	C17
48	4,1	03.1104.061001022	MYLAR CAPACITOR	MYLAR 5% 100V102(M)	1	C21
49	4,1	03.1104.061001032	MYLAR CAPACITOR	MYLAR,100V 5%103(M)	1	C33
50	4,1	03.1104.061002222	MYLAR CAPACITOR	MYLAR 5% 100V222(M)	1	C41
51	4,1	03.1104.061004732	MYLAR CAPACITOR	MYLAR,100V 5%473(M)	2	C140,240
52	4,1	03.1104.061001042	MYLAR CAPACITOR	MYLAR 5% 100V104(M)	3	C03,161,261
53	4,1	03.1101.061002242	MYLAR CAPACITOR	MYLAR,100V 5%,BOX or TL224(M)	1	C32
54	4,1	03.1101.060631052	MYLAR CAPACITOR	MYLAR,63V 5%,BOX or TL105(M)	1	C01
55	4,1	03.1102.060502202	CERAMIC CAPACITOR	CERAMIC DISK 50V "NPO"22 pF	1	C91
56	4,1	03.1102.060503302	CERAMIC CAPACITOR	CERAMIC DISK 50V "NPO"33 pF	2	C171,271
57	4,1	03.1102.060506802	CERAMIC CAPACITOR	CERAMIC DISK 50V "NPO"68 pF	2	C125,225
58	4,1	03.1102.060502212	CERAMIC CAPACITOR	DISK TYPE, CERAMIC, 50V"NPO"220P	6	C142,143,153,242,243,253
59	4,1	03.1102.070504732	CERAMIC CAPACITOR	DISK TYPE, CERAMIC, 50V473P	3	C31,53,63
60	4,1	03.1111.070501042	CERAMIC CAPACITOR	DISK TYPE, CERAMIC, 50V104P	3	C22,151,251
61	4,1	16.11.0R70006	JUMPER WIRE	"0" OHM JUMPER6 m/m	10	J20,21,26,42,43,64,72,80,84
62	4,1	16.11.0R707R5	JUMPER WIRE	"0" OHM JUMPER7.5 m/m	14	J1,17,19,22,24,27,34,35,38,49,54,57,59,75
63	4,1	16.11.0R70010	JUMPER WIRE	"0" OHM JUMPER10 m/m	11	J18,29,32,51,53,58,65,67,70,78,83
64	4,1	16.11.0R712R5	JUMPER WIRE	"0" OHM JUMPER12.5 m/m	5	J52,55,62,68,76
65	4,1	16.11.0R713R5	JUMPER WIRE	0 OHM JUMPER13.5m/m	2	J37,50
66	4,1	16.11.0R70015	JUMPER WIRE	"0" OHM JUMPER15 m/m	10	J3,4,5,6,13,39,40,60,61,74
67	4,1	16.11.0R717R5	JUMPER WIRE	"0" OHM JUMPER17.5 m/m	4	J9,36,63,71
68	4,1	16.11.0R70013	JUMPER WIRE	0 OHM JUMPER18m/m	2	J28,73
69	4,1	16.11.0R70020	JUMPER WIRE	"0" OHM JUMPER20 m/m	5	J16,23,25,48,56,
70	4,1	16.11.0R70025	JUMPER WIRE	"0" OHM JUMPER25 m/m	6	J14,15,30,31,33,41

CUSTOMER: FOCAL		MODEL: SOLID2 RED			
No	Material#	Material Name	Specifications	#of use	REFERENCE DESIGN NO
MAIN PCB MI PART					
71	3,1	36.1.SOLID211131			
72	4,1	36.1.SOLID211121	PCB	1	
73	4,1	01.1104.0940683	CARBON FILM RESISTOR	1	R40
74	4,1	03.1101.061002242	MYLAR CAPACITOR	1	C04
75	4,1	03.1103.0805080310251012	ELECTROLYTIC CAPACITOR	1	C021
76	4,1	04.111.31IN4148L	DIODE	1	和R40串联插入R40位置
77	4,1	05.114.032SK30ATM	FET	3	Q91,101,201
78	4,1	16.11.0R70010	JUMPER WIRE	2	J46. 47
79	4,1	16.11.0R712R5	JUMPER WIRE	2	J44. 45
80	4,1	06.11.208TL494CN	IC	1	U01
81	4,1	05.114.01FQP50N06	AUDION	2	Q43,53
82	4,1	05.811.13GRC3200	AUDION	2	Q130,230
83	4,1	05.811.07YB631K	AUDION	2	Q124,224
84	4,1	05.811.07YD600K	AUDION	2	Q114,214
85	4,1	05.111.02YC4468	AUDION	2	Q115,215
86	4,1	05.111.03YA1695	AUDION	2	Q125,225
87	4,1	04.111.31IN5404	DIODE	1	D01
88	4,1	04.815.33YG225D2	DIODE	2	D41,42
89	4,1	01.1101.0420101	METAL FILM RESISTOR	1	R71
90	4,1	01.1101.0420221	METAL FILM RESISTOR	2	R001,002
91	4,1	01.1102.0780R10	CEMENT RESISTOR	4	R151,152,251,252
92	4,1	02.111.5032	THERMISTOR	1	TH01
93	4,1	03.8103.082518042025332102	ELECTROLYTIC CAPACITOR	1	C07
94	4,1	03.8103.082516041035222101	ELECTROLYTIC CAPACITOR	2	C52,62
95	4,1	08.12.ZX550R32	INDUCTOR	1	L01
96	4,1	07.12.SOLID20	TRANSFORMER	1	T01
97	4,1	17.11.220602008	GROUND WIRE	2	W01,02
98	4,1	23.11.102R50	10 PIN	1	CM1
99	4,1	50.13.ZX2500R114	JUMPER WIRE	3	JP1,2,3
100	4,1	48.152.2000060R50	PAPER PAD	0,4	垫功率管使用,RCA底部使用
101	4,1	48.152.2000070R50	PAPER PAD	0,25	垫场效应管,二极管使用
102	4,1	17.12.162151000	LEAD	2	w01-w01A,w02-W02A
103	4,1	50.13.ZX2500R110	COPPER POST	2	BJ1,3
MAIN PCB RETOUCH PART					
104	4,1	25.141.002901902510	FUSE HOLDER	1	FUSE1
105	4,1	27.112.03045030110220	POWER TERMINAL	1	P1
106	4,1	27.112.04051030110220	OUTPUT TERMINAL	1	P2
SUB1 SMT PART					
107	4,1	36.1.SOLID220622	PCB		
108	4,1	36.1.SOLID220612	SUB1 PCB	1	SUB1 PCB
109	4,1	06.82.203NJM2068M	IC	1	U101
110	4,1	04.121.24IN4148L	DIODE	1	D121
111	4,1	03.1203.08101610022	CAPACITOR	4	C122,124,222,224
112	4,1	01.1211.0900822	RESISTOR	4	R121,132,221,232
113	4,1	01.1211.0900223	RESISTOR	6	R123,223,125,126,225,226
114	4,1	01.1211.0900333	RESISTOR	4	R128,131,228,231
115	4,1	03.1202.060502204	CAPACITOR	4	C128,131,228,231
116	4,1	03.1202.070501044	CAPACITOR	2	C11,12
SUB1 PCB RETOUCH PART					
117	4,1	36.1.SOLID220632	SUB1		
118	4,1	36.1.SOLID220622	PCB	1	
119	4,1	21.112.044R200	HIGH LEVEL TERMINAL	1	CON2
120	4,1	50.15.SOLID10	PCB BRACKET	1	MM1
121	4,1	18.1071.2407060	CONNECT WIRE	1	CON1
122	4,1	26.141.211122	RCA	1	RCA1

CUSTOMER: FOCAL		MODEL: SOLID2 RED			
No	Material#	Material Name	Specifications	#of use	REFERENCE DESIGN NO
SUB2 SMT PART					
123	4,1	36.1.SOLID220623	PCB		
124	4,1	36.1.SOLID220613	PCB	GLASS EPOXY,FR-4 DOUBLE LAYER,1.6I/1Oz57x52m/m	1 SUB PCB
125	4,1	06.82.203NJM2058M	IC	QUAD OP AMP,SSOP-14NJM2058M	2 U102,202
126	4,1	01.1219.1500821	CHIP RESISTOR	SMD"0603" 1/16WJ820	2 R102,202
127	4,1	01.1219.1500102	CHIP RESISTOR	SMD"0603" 1/16WJ1K	2 R101,201
128	4,1	01.1219.1500682	CHIP RESISTOR	SMD"0603" 1/16WJ6.8K	2 R110,210
129	4,1	01.1219.1500103	CHIP RESISTOR	SMD"0603" 1/16WJ10K	9 R103,105,106,107,111,203,206,207,211
130	4,1	01.1220.1508251	CHIP RESISTOR	SMD"0603" 1/16W F 47K	1 R205
131	4,1	01.1219.1500223	CHIP RESISTOR	SMD"0603" 1/16WJ22K	2 R108,208
132	4,1	01.1219.1500273	CHIP RESISTOR	SMD"0603" 1/16WJ27K	4 R109,112,209,212
133	4,1	01.1220.1304702	CHIP RESISTOR	SMD"0603" 1/16WJ47K ±1%	2 R104,204
134	4,1	03.1202.060501007	CHIP CERAMIC CAPACITOR	SMD"0603" CERAMIC , 50V"NPO"10P	2 C103,203
135	4,1	03.1202.060502007	CHIP CERAMIC CAPACITOR	SMD"0603" CERAMIC , 50V"NPO"20P	2 C102,202
136	4,1	03.1202.070501047	CHIP CERAMIC CAPACITOR	SMD"0603" CERAMIC , 50V104P	4 C211,212,311,312
137	4,1	03.1202.060504717	CHIP CERAMIC CAPACITOR	SMD"0603" CERAMIC , 50V471P	2 C106,206
SUB2 AI PART					
138	4,1	03.1103.0805040310504R72	ELECTROLYTIC CAPACITOR	ELECTROLYTIC"DSA/SE"4.7/50V	2 C101,201
139	4,1	03.1108.061003932	MYLAR CAPACITOR	MYLAR,100V 5%393M	4 C104,105,204,205
SUB2 MI PART					
140	4,1	36.1.SOLID220633	SUB2		
141	4,1	36.1.SOLID220623	PCB		1
142	4,1	10.132.2032142011	POT	20KBx2,41-CLICKV123H C41 20F-B20Kx2	1 VR1
143	4,1	10.132.5032094011	POT	50KBx4,41-CLICKV124H C41 20F-B50Kx4	1 VR2
144	4,1	29.112.30140	SWITCH	SLIDE SW立式 柄长14MM 2	1 SW2
145	4,1	04.112.33L-319VE4WW	LED	2COLOR(white& RED)	1 LED
146	4,1	22.111.102R502	10 PIN	STRAIGHT TYPE,10P	1 CS1
SUB2 RETOUCH PART					
147	4,1	21.121.072R590	7P HEADER	STRAIGHT TYPE WAFER,7P	1 CJB

CUSTOMER: FOCAL		MODEL: SOLID2 RED			
No	Material#	Material Name	Specification	#of Use	REFERENCE DESIGN NO
158	1	99.1SOLID2R			
PCB					
159	2,1	36.1.SOLID211131	MAIN BOARD	1	
160	2,1	36.1.SOLID220632	SUB1	1	
161	2,1	36.1.SOLID220633	SUB2	1	
ASSEMBLY PART					
162	4,1	41.1.SOLID2R70	HEAT SINK	AL/Die-Casting L=220.0mm	1 RED SPRAY
163	4,1	41.1.SOLID2R71	TOP COVER	AL/EXTRUSION L=170.5mm 0.46g/mm	1 RED SPRAY
164	4,1	43.11.SOLID20	ACRYL	ACRYL 3.7t	1 SMOKE COLOR
165	4,1	44.11.SOLID2R70	FRONT PANEL	SECC,1.0t	1 RED SPRAY /BLACK SILK
166	4,1	42.1.SOLID2R70	BOTTOM COVER	SECC,1.0t	1 RED POWER SPRAY
167	4,1	44.11.SOLID271	FUNCTION TOP COVER	SECC,0.5t	1 BLACK SPRAY / SILVER SILK
168	4,1	53.14.030001500371	CLAMP	SPCC 30.0x15.0x3.0t	2 带纸垫48.152.0280130011
169	4,1	53.14.046001500371	CLAMP	SPCC 46.0x15.0x3.0t	2 带纸垫48.152.0450140011
170	4,1	48.171.0120070R30	FELT	FELT 12.0x7.0x0.3t	1
171	4,1	35.1.SOLID30	KNOB	ABSXR401	2 VOLUME
172	4,1	33.15.2R5006R201	PAD	P.C 0.2t	4 TOP WINDOW
173	4,1	48.132.0100100020	RUBBER PAD	RUBBER,10.0x10.0x2.0t	2
174	4,1	48.142.030023R201	SILICON PAD	30.0x23.0x0.2t	1
175	4,1	48.142.095023R201	SILICON PAD	95.0x23.0x0.2t	1
176	4,1	31.13.0563R00800	SCREW	STT2 BH 3x8 BK	3 RCA(1),TERMINAL(2)
177	4,1	31.13.0222R01000	SCREW	自攻 P2 φ2mm 10mm 黑	1 锁保险丝座
178	4,1	31.11.0513R00600	SCREW	SMB 3x6 BK	1 PCB SUPPORT(1)
179	4,1	31.11.0513R00610	SCREW	SMB 3x6 NI-P	6 PCB(6),
180	4,1	31.11.0213R00610	SCREW	SMP 3x6 NI-P	8 铜柱
181	4,1	31.11.0413R00600	SCREW	SMF 3x8 BK	5 BOTTOM COVER (5)
182	4,1	31.11.0863R00810	SCREW	SML 3x8 NI-P	4 TOP WINDOW+TOP PANEL+HEATSINK
183	4,1	31.11.0564R01411	SCREW	SMB 4X14 NI-P LOCK HEAD	4 TR BRACKET
184	4,1	31.13.0563R00610	SCREW	STT2 BH 3x6 NI-P	1 用于热敏电阻(1)
185	4,1	48.152.1830200010	PAPER PAD	单面背胶183*20*1.0t	3
186	4,1	48.152.0500060R50	PAPER PAD	50*6*0.5t	2
187	4,1	48.152.1200060R50	PAPER PAD	120*6*0.5t	2
188	4,1	48.152.0800060R50	PAPER PAD	80*6*0.5t	1
189	4,1	48.132.0126R60020	RUBBER PAD	RUBBER PHI12.0xPHI6.6x2.0T	4 ACCESSORY
190	4,1	34.19.0142R40054	ALUMINIUM POST	H5,L=14MM;M3 本色铝	4
PACKING					
191	4,1	55.11.320300R0321	PLASTIC BAG	VINYL, 320x300x0.03T开通气孔	1 SET/包装产品
192	4,1	56.11.SOLID10	BRAND LABEL		1
193	4,1	56.18.SOL2R1	CARTON LABEL		2/6
194	4,1	56.18.SOL2R0	GIFT BOX LABEL		2
195	4,1	56.13.SOLID20	SERIAL NUMBER LABEL		1
196	4,1	89.11.0250052	LABEL		1 打印56.13.SOLID21
197	4,1	55.11.300120R0321	PLASTIC BAG		1
198	4,1	57.12.SOLID10	EPS	EPS, 246.0x93.0x90.0 / :50	2
199	4,1	59.11.SOLID2R	GIFT BOX	SW#1(B TYPE) 334*251*101	1 装功放使用
200	4,1	58.11.SOLID21	MASTER CARTON	646*349*276	1/6 装礼盒使用
201	4,1	38.11.SOLID10	USER MANUAL	ART PAPER	1 系列机种共用
202	4,1	39.103.0001	DRYER	3g	1
203	4,1	80.19.SOLID0	RUBBER BAND		1
ACCESSORY					
204	4,1	24.11.002590	FUSE	FUSE AUTO FUSE : 25A	1 ACCESSORY
205	4,1	65.1.022	WRENCH	HEXA 2.0 mm (NI-P)	1 ACCESSORY
206	4,1	65.1.032	WRENCH	HEXA 3.0 mm (NI-P)	1 ACCESSORY
207	4,1	65.1.042	WRENCH	HEXA 4.0 mm (NI-P)	1 ACCESSORY
208	4,1	65.1.052	WRENCH	HEXA 5.0 mm (NI-P)	1 ACCESSORY
209	4,1	31.13.0856R05210	SCREW	STT1 LH 6x52 NI-P	4 ACCESSORY
210	4,1	55.11.120080R0331	PLASTIC BAG	VINYL, 120.0x80.0x0.3t不开通气孔	1 附件包/ACC'Y
211	4,1	18.1042.2029010	HIGH LEVEL WIRE	1015 AWG20# 290MM 一端带插头	1



LIST OF SPARE PARTS

SOLID2		
REFERENCE DESIGN NO	DESCRIPTION	REFERENCE
Q43;53	FET TRANSISTOR	FQP50N06
U01	INTEGRATED CIRCUIT	TL494CN
D41;42	DIODE	YG225D2
Q115;215	TRANSISTOR	2SC4468
Q125;225	TRANSISTOR	2SA1695
Q124;224	TRANSISTOR	2SB631K
Q114;214	TRANSISTOR	KTD600K
	REMOTE CONTROL	



Focal® is a registered trademark of Focal-JMLab® - www.focal-fr.com
Focal-JMLab® - BP 374 - 108, rue de l'Avenir - 42353 La Talaudière cedex - France
Tel. (+33) 04 77 43 57 00 - Fax (+33) 04 77 43 57 04 - SCBD080513/1

Due to constant technological advances, Focal reserves its right to modify specifications without notice. Images may not conform exactly to specific product.