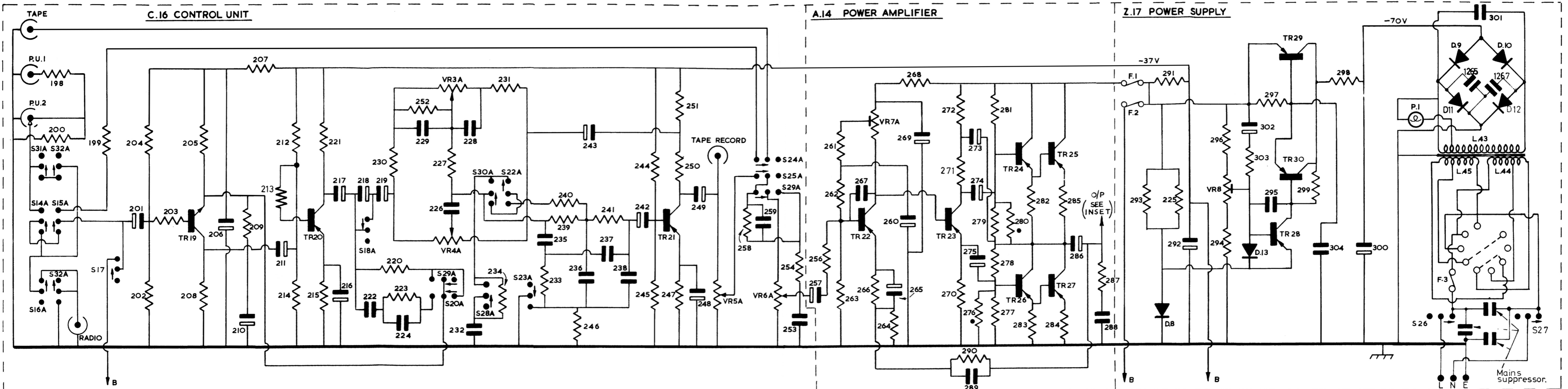
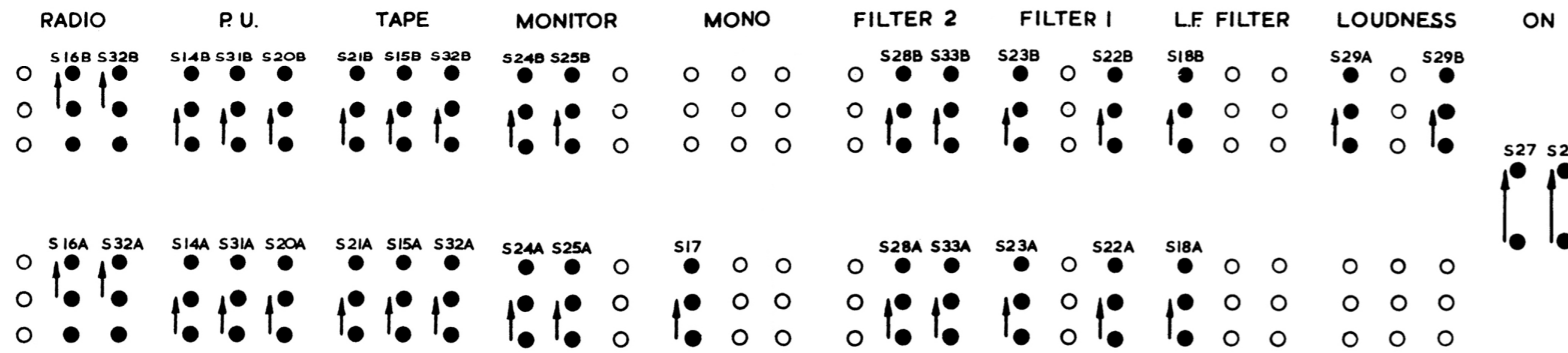


CIRCUIT DIAGRAM & COMPONENT LAYOUT 521 STEREO AMPLIFIER



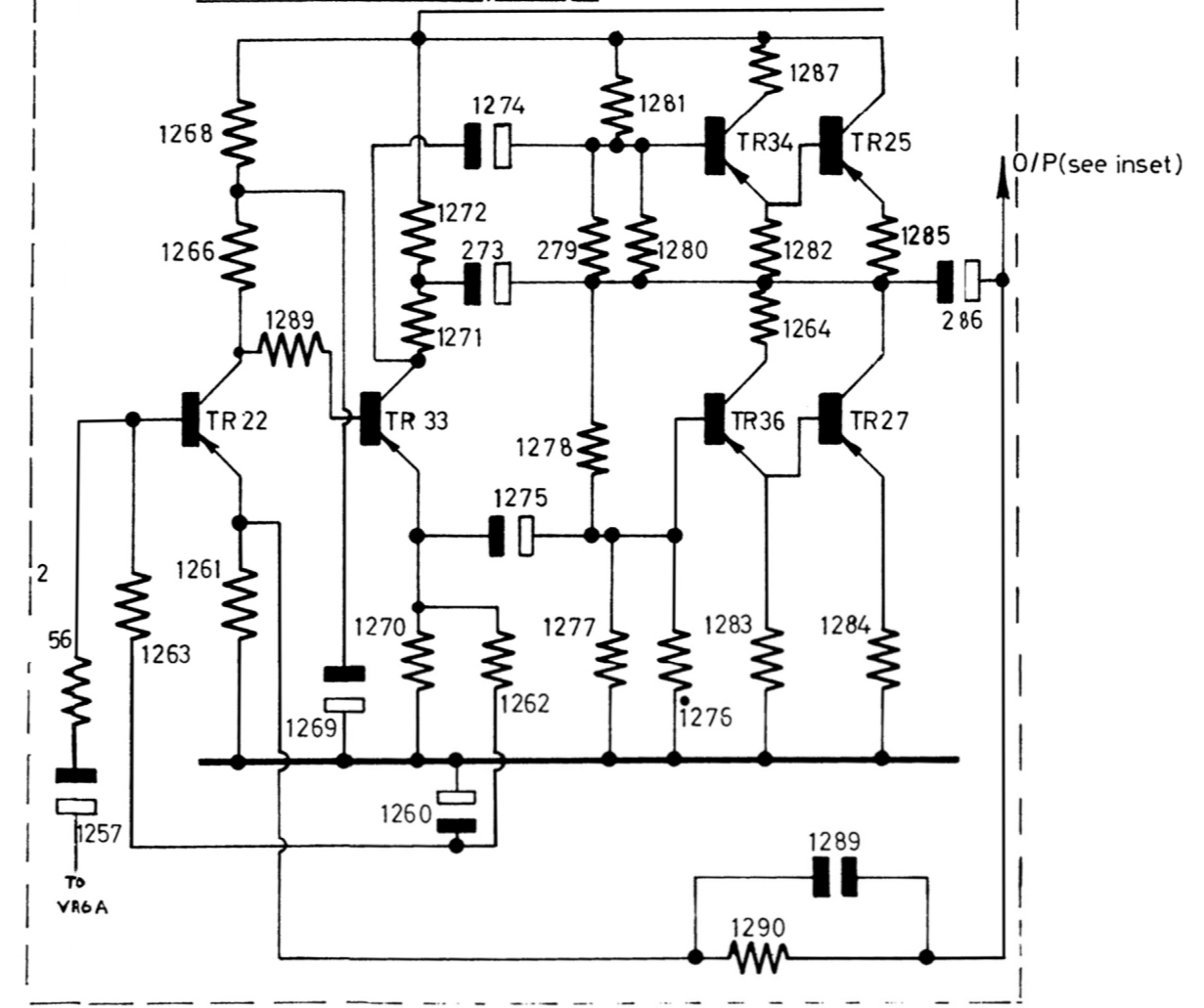
PUSH-BUTTON SWITCHING



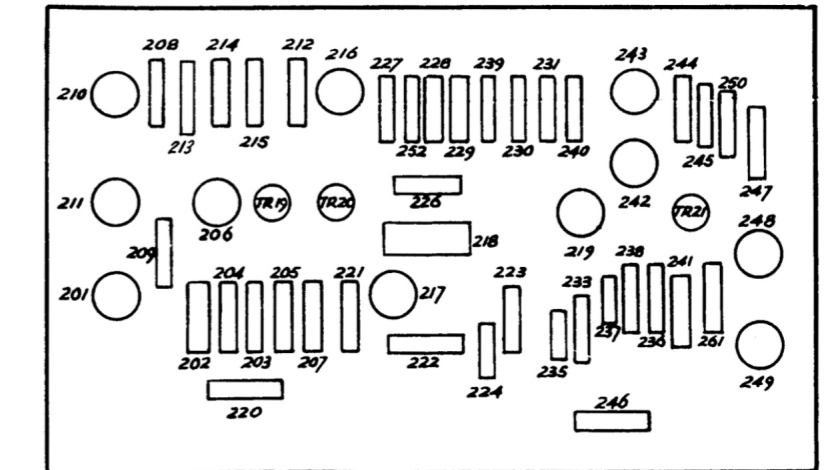
SWITCHES SHOWN LOOKING FROM FRONT
(SWITCHED TO RADIO)

NOTE: CIRCUIT DIAGRAM SHOWS CHANNEL 'A' ONLY.
CHANNEL 'B' IS DUPLICATED EXACTLY.
A15 POWER AMPLIFIER BOARD FITTED
FROM SERIAL NO 417650 ONWARDS.

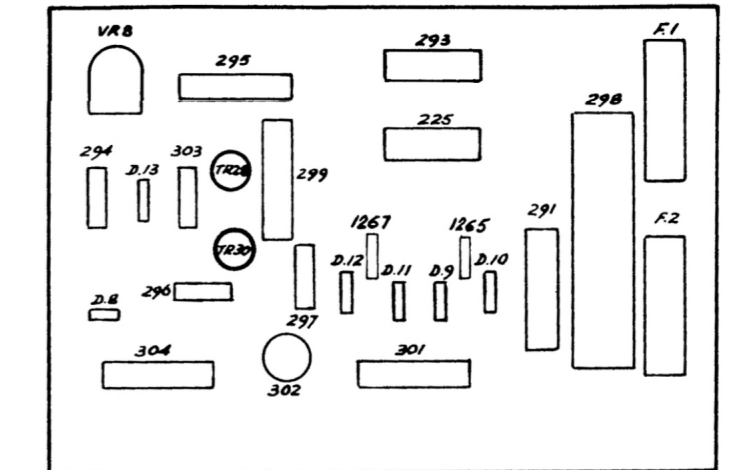
A15 Power Amplifier



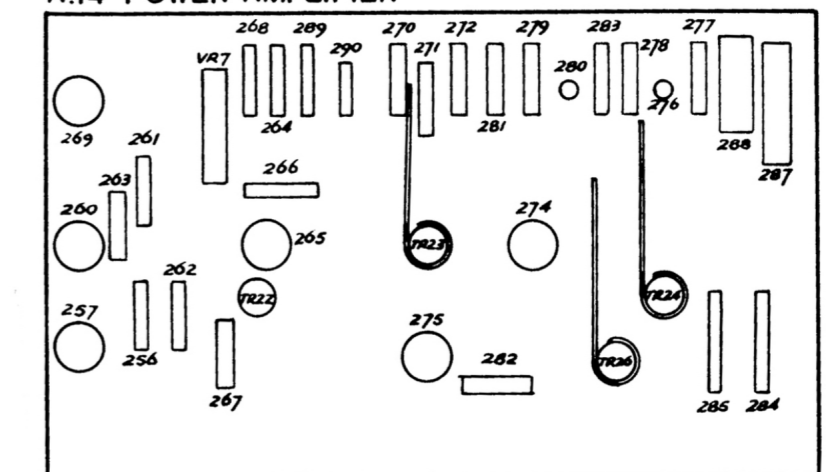
C.16 CONTROL UNIT



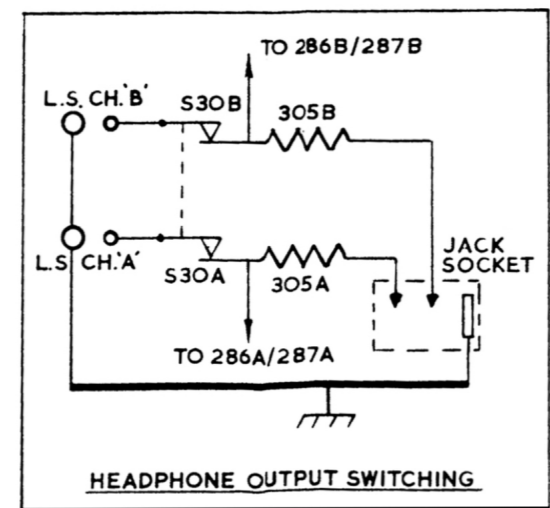
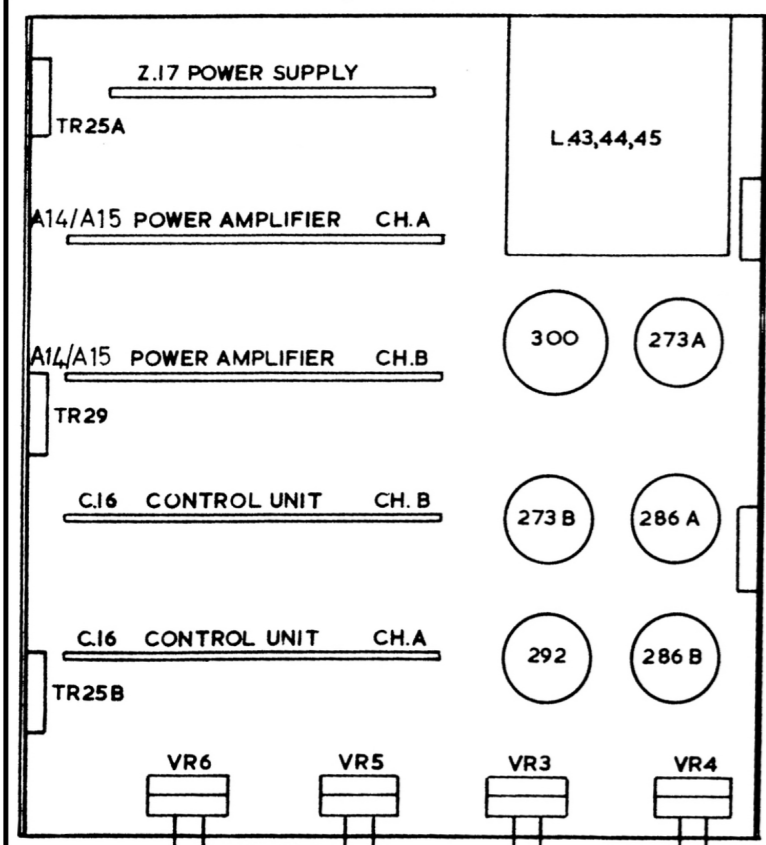
Z.17 POWER SUPPLY



A.14 POWER AMPLIFIER



TOP VIEW



TRANSISTOR CONNECTIONS

