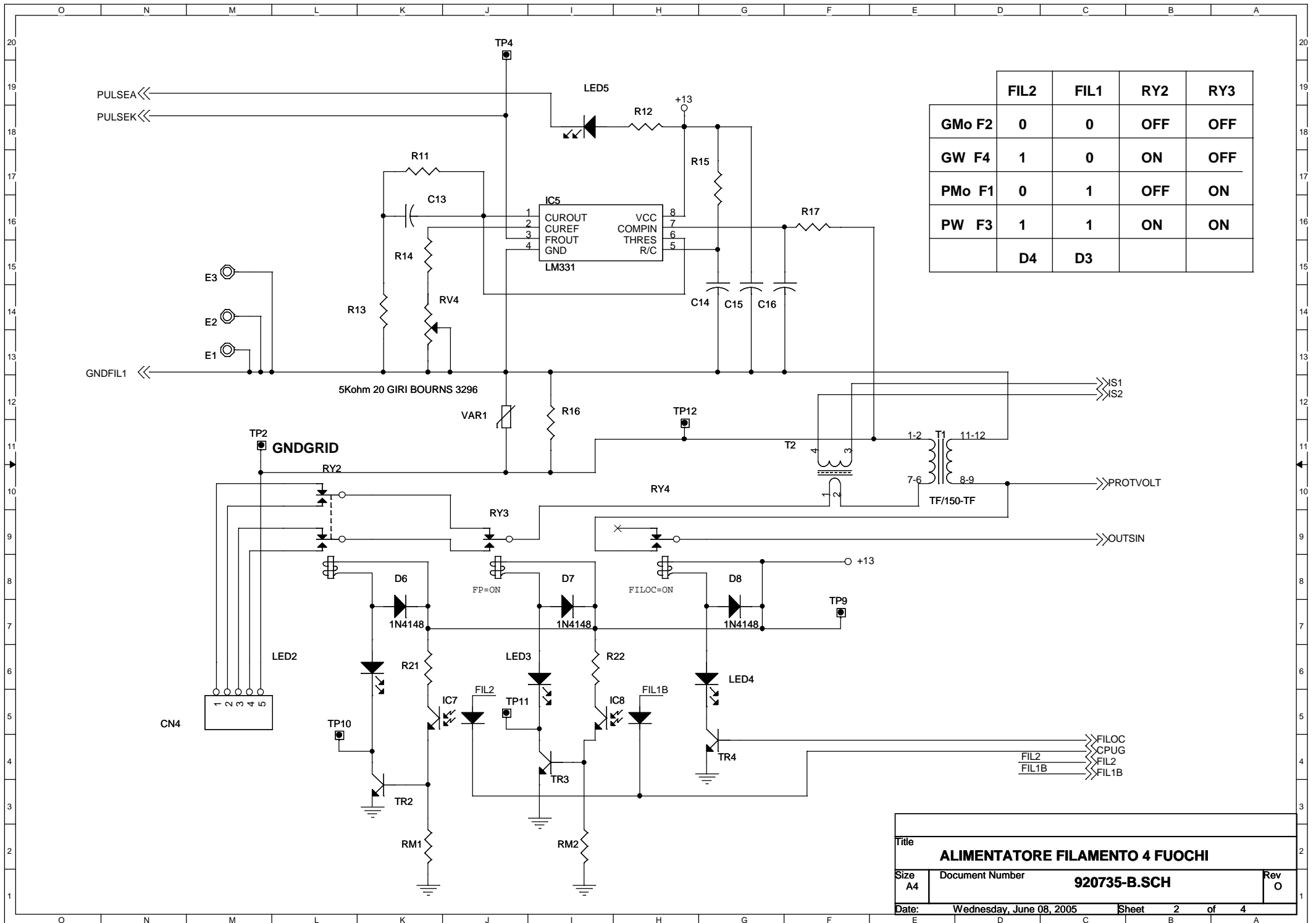


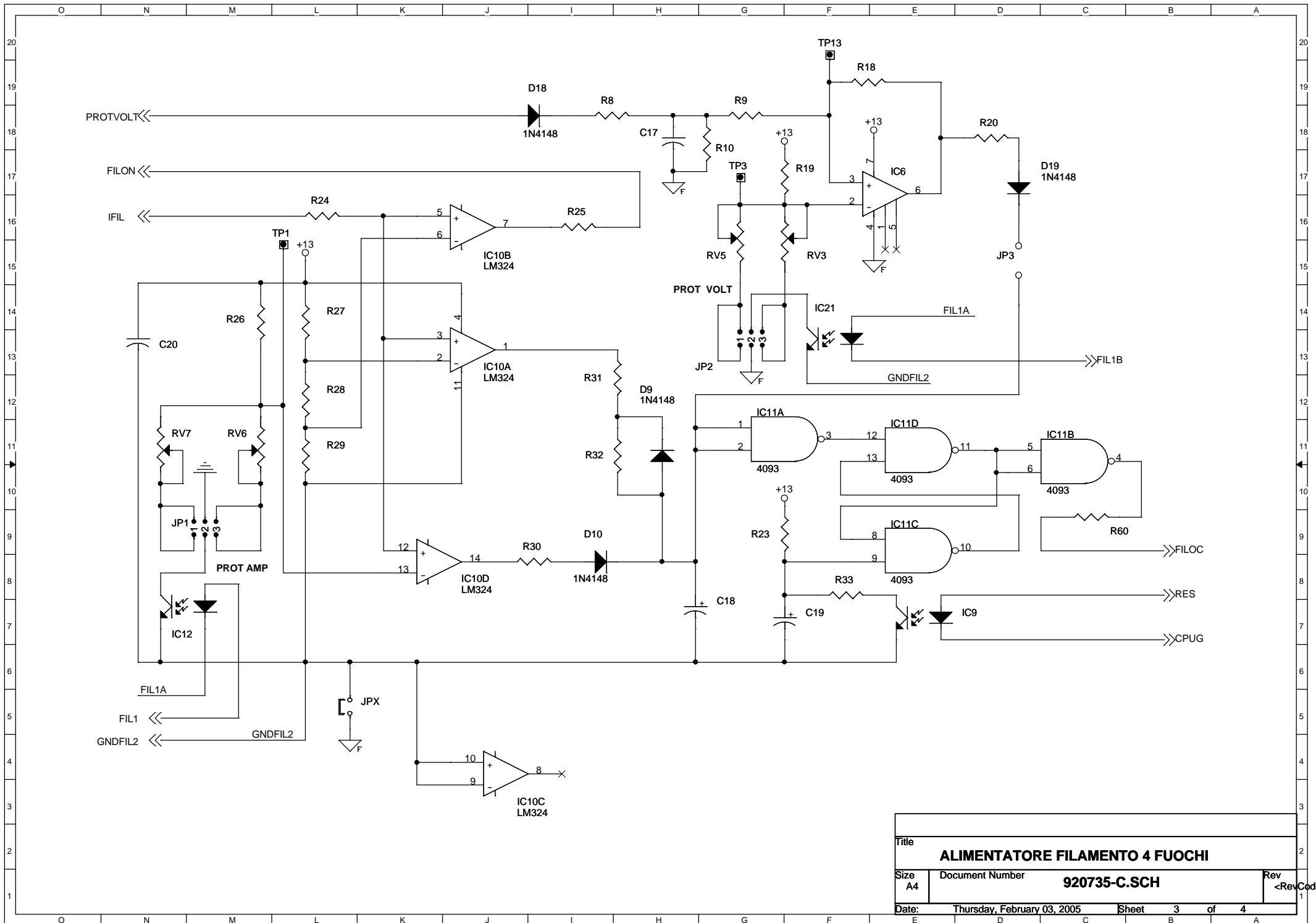
METALTRONICA		
Title		
<b>ALIMENTATORE FILAMENTO 4 FUOCHI</b>		
Size A4	Document Number <b>920735-A.SCH</b>	Rev
Date: Wednesday, June 08, 2005	Sheet	1 of 4

BC547 NPN 100mA

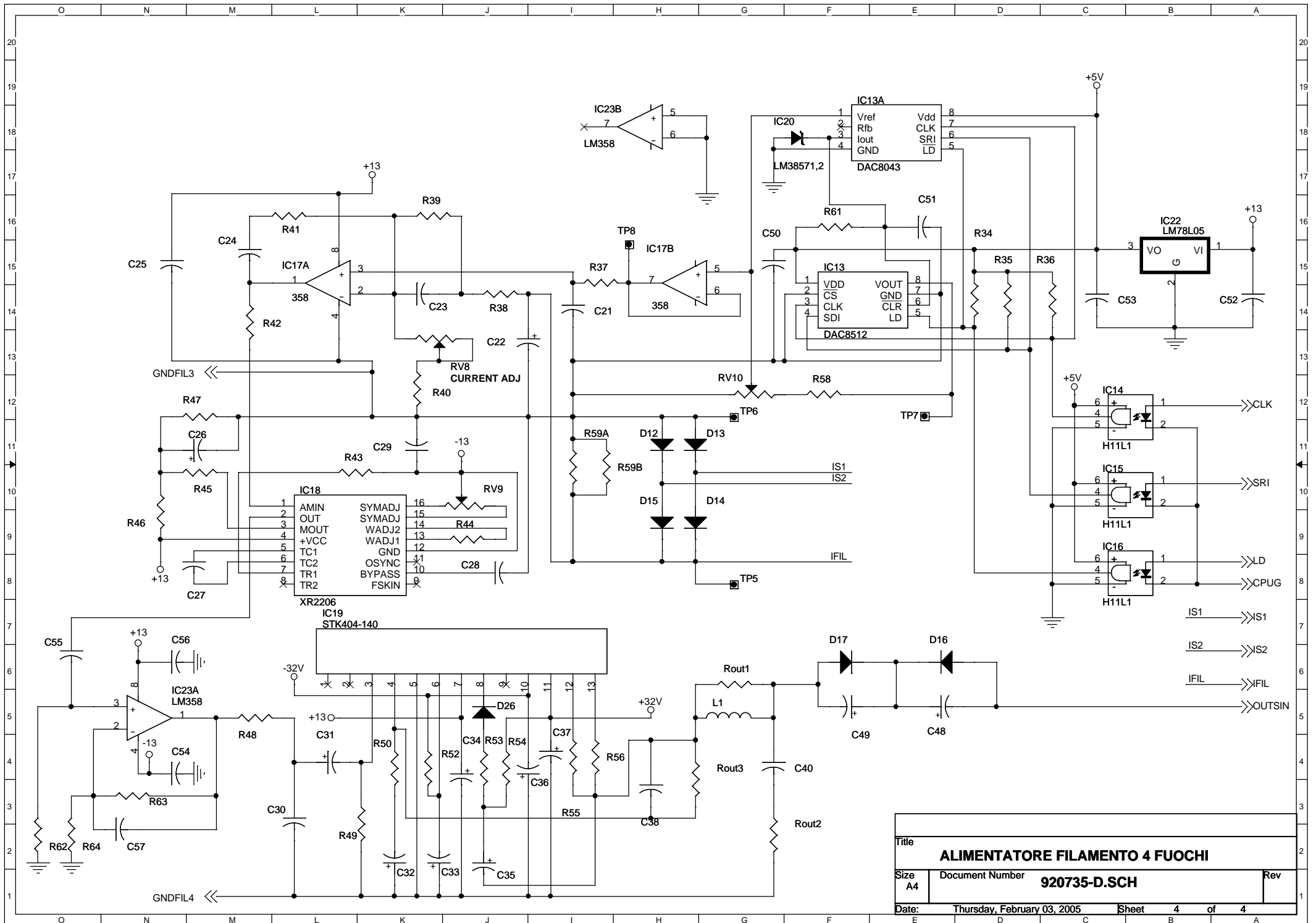


	FIL2	FIL1	RY2	RY3
<b>GMo F2</b>	0	0	OFF	OFF
<b>GW F4</b>	1	0	ON	OFF
<b>PMo F1</b>	0	1	OFF	ON
<b>PW F3</b>	1	1	ON	ON
	<b>D4</b>	<b>D3</b>		

Title		
<b>ALIMENTATORE FILAMENTO 4 FUOCHI</b>		
Size A4	Document Number	Rev O
	<b>920735-B.SCH</b>	
Date:	Wednesday, June 08, 2005	Sheet 2 of 4



Title		
<b>ALIMENTATORE FILAMENTO 4 FUOCHI</b>		
Size A4	Document Number <b>920735-C.SCH</b>	Rev <RevCode> 1
Date:	Thursday, February 03, 2005	Sheet 3 of 4



Title		
<b>ALIMENTATORE FILAMENTO 4 FUOCHI</b>		
Size A4	Document Number <b>920735-D.SCH</b>	Rev
Date:	Thursday, February 03, 2005	Sheet 4 of 4