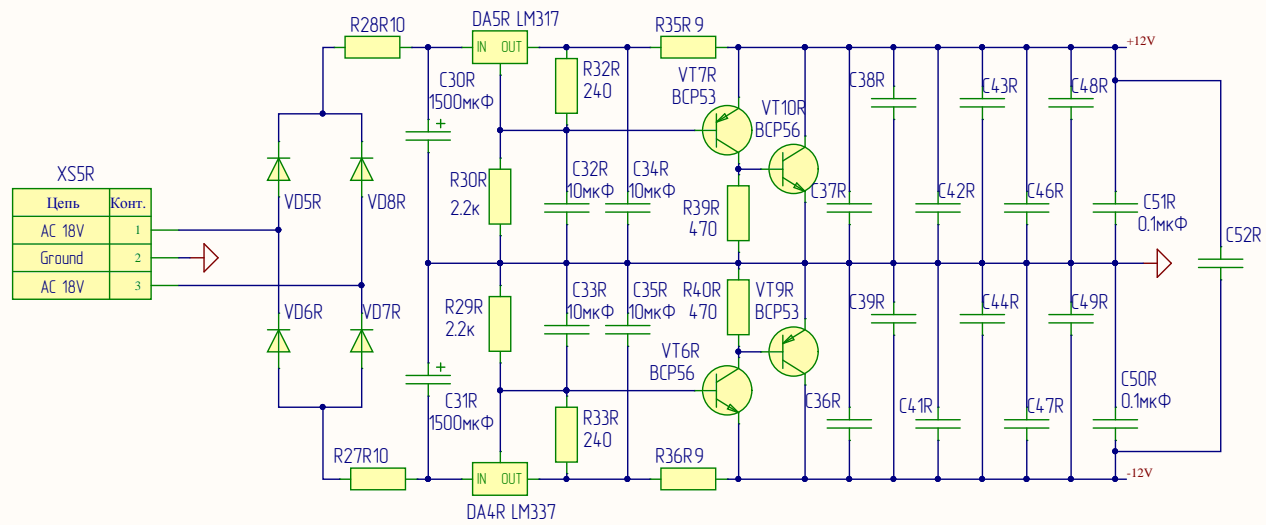
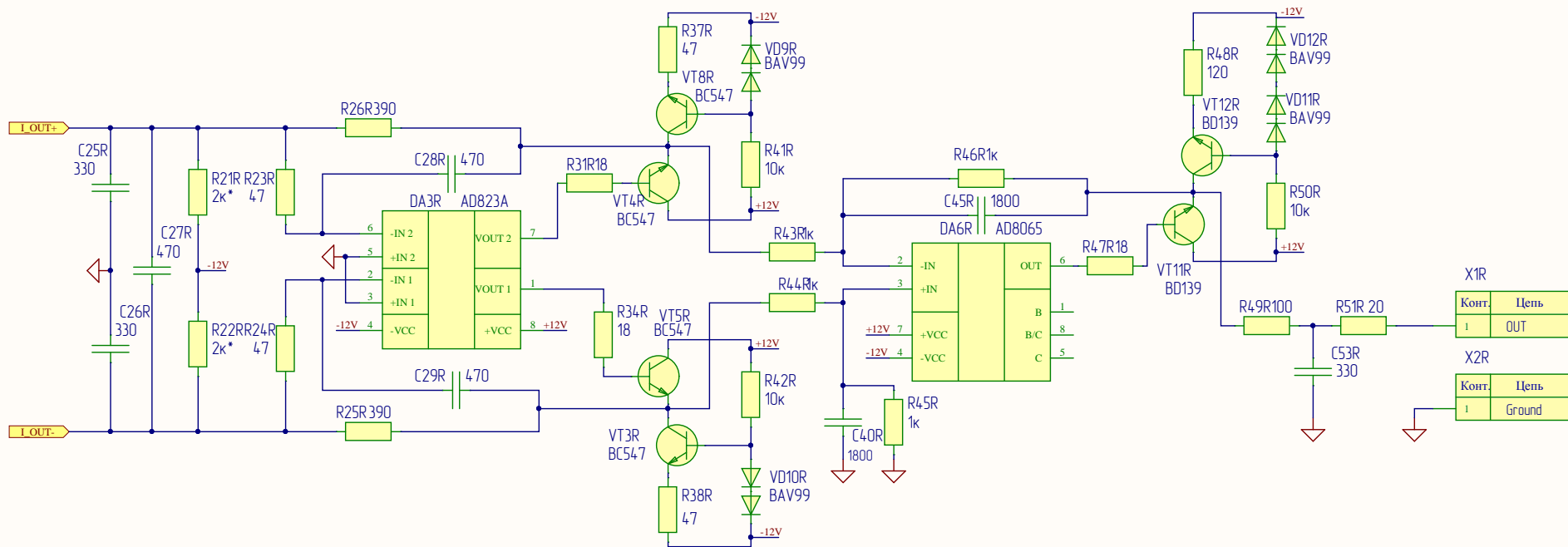


XS5L	
Цепь	Конт.
AC 18V	1
Ground	2
AC 18V	3

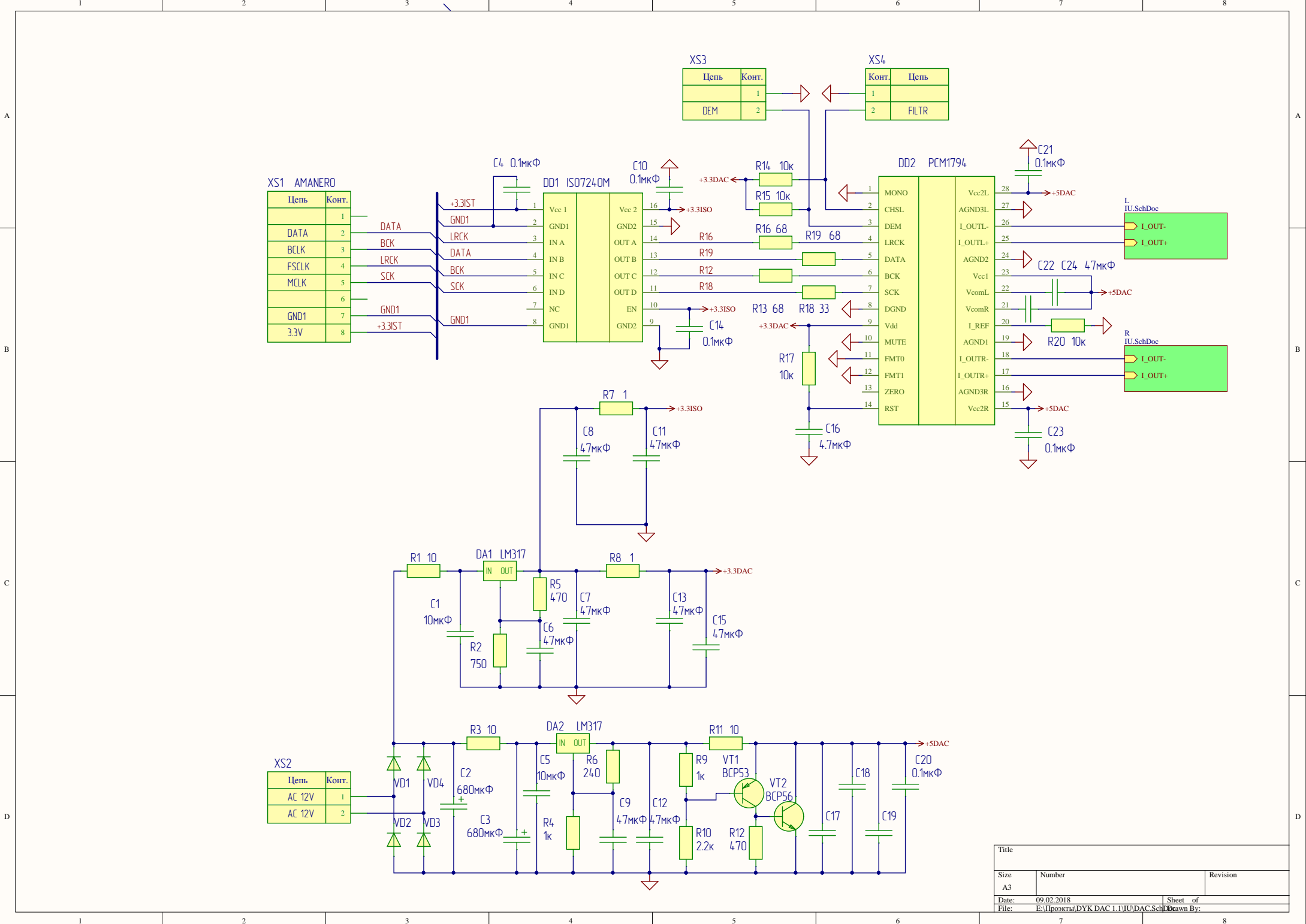
X1L	
Конт.	Цепь
1	OUT

X2L	
Конт.	Цепь
1	Ground

Title		
Size	Number	Revision
A3		
Date:	09.02.2018	Sheet of
File:	E:\Проекты\DYK DAC 1.1\UIU_SchDed	Drawn By:



Title		
Size	Number	Revision
A3		
Date:	09.02.2018	Sheet of
File:	E:\Проекты\DYK DAC 1.1\UIU_SchDed	Drawn By:



XS1 AMANERO

Цепь	Конт.
1	
DATA	2
BCLK	3
FSCLK	4
MCLK	5
GND1	6
GND1	7
3.3V	8

XS3

Цепь	Конт.
1	
DEM	2

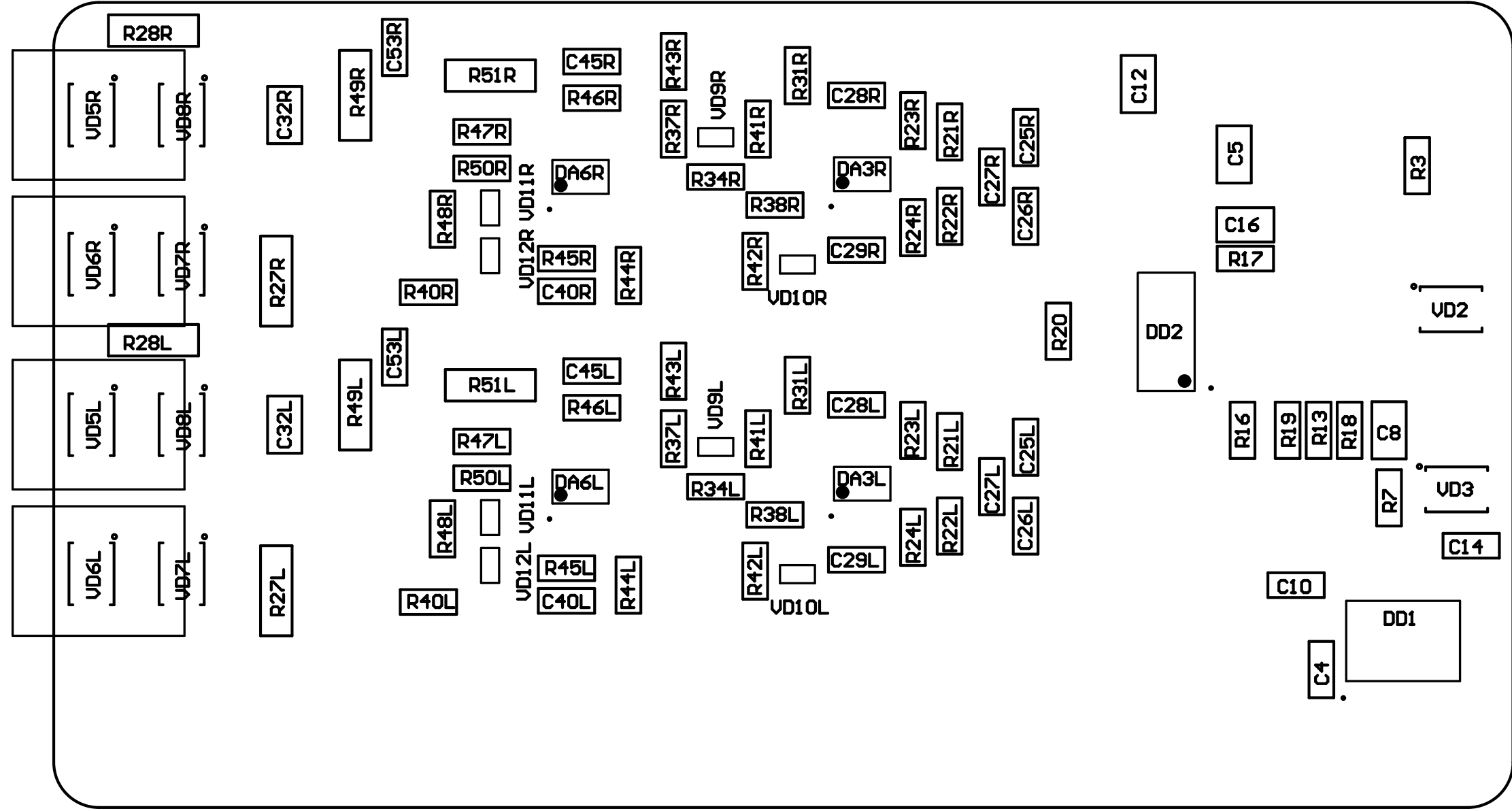
XS4

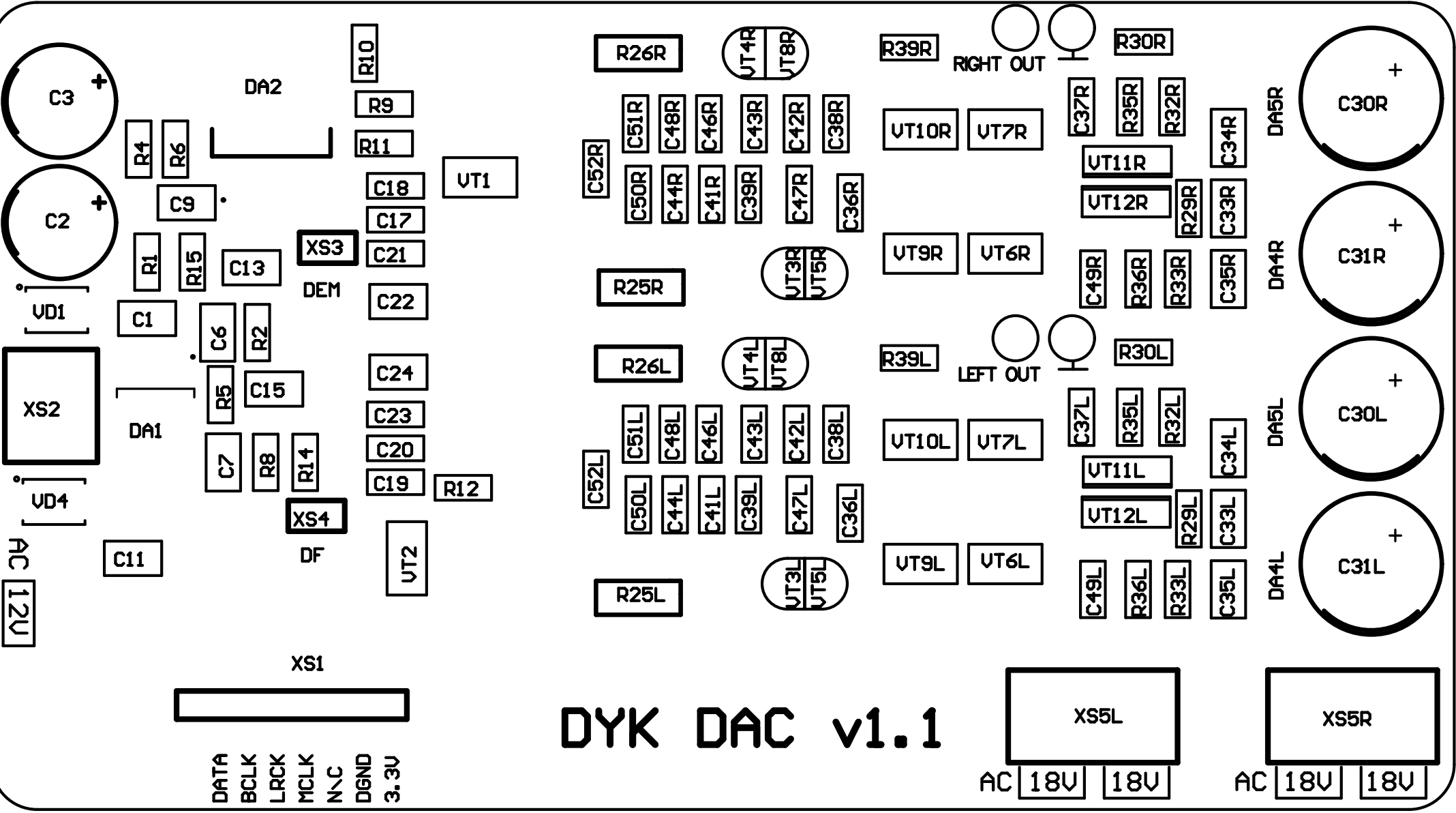
Конт.	Цепь
1	
2	FILTR

XS2

Цепь	Конт.
1	AC 12V
2	AC 12V

Title		
Size A3	Number	Revision
Date: 09.02.2018	Sheet of	
File: E:\Проекты\DYK DAC 1.1\UUDAC.Sch	Drawn By:	





Bill of Materials

DYK DAC

Source Data From:

Variant:

версия платы V1.1

Creation Date: 29.11.2017

Designator	Comment	Footprint	LibRef	Quantity
C1, C5, C32L, C32R, C33L, C33R, C34L, C34R, C35L, C35R	10мкФ x 25В	1210 X7R	Capacitat	10
C2, C3	680мкФ x 25В	C10x20	Cap Polar	2
C4, C10, C14, C17, C18, C19, C20, C21, C23, C36L, C36R, C37L, C37R, C38L, C38R, C39L, C39R, C41L, C41R, C42L, C42R, C43L, C43R, C44L, C44R, C46L, C46R, C47L, C47R, C48L, C48R, C49L, C49R, C50L, C50R, C51L, C51R, C52L, C52R	0.1мкФ x 25В	1206 C0G	Capacitat	39
C6, C7, C8, C9, C11, C12, C13, C15, C22, C24	47мкФ x 6.3В	1210 X7R	Capacitat	10
C16	4.7мкФ x 25В	1210 X7R	Capacitat	1
C25L, C25R, C26L, C26R	330	1206 C0G	Capacitat	4
C40L, C40R, C45L, C45R	1800	1206 C0G	Capacitat	4
C27L, C27R	470	1206 C0G	Capacitat	2
C28L, C28R, C29L, C29R	470	1206 C0G	Capacitat	4
C30L, C30R, C31L, C31R	1500мкФ x 35В	C12x35	Cap Polar	4
C53L, C53R	330	1206 C0G	Capacitat	2
DA1	LM317	DPAK	LM317	1
DA2	LM317	D2PAK	LM317	1
DA3L, DA3R	AD823A	SOIC 8	2 OU	2
DA4L, DA4R	LM337	TO-220-3	LM337	2
DA5L, DA5R	LM317	TO-220-3	LM317	2
DA6L, DA6R	AD8065	SOIC 8	1 OU	2
DD1	ISO7240M	SOIC 16B	ISO7240M	1
DD2	PCM1794	SSOP28	PCM1794	1
R1, R3, R11	10	1206	Resistor	3
R2	750	1206	Resistor	1
R4, R9, R43L, R43R, R44L, R44R, R45L, R45R, R46L, R46R	1к	1206	Resistor	10
R5, R12, R39L, R39R, R40L, R40R	470	1206	Resistor	6
R6, R32L, R32R, R33L, R33R	240	1206	Resistor	5
R7, R8	1	1206	Resistor	2
R10, R29L, R29R, R30L, R30R	2.2к	1206	Resistor	5
R13, R16, R19	68	1206	Resistor	3
R14, R15, R17, R20, R41L, R41R, R42L, R42R, R50L, R50R	10к	1206	Resistor	10
R18	33	1206	Resistor	1
R21L, R21R, R22L, R22R	2к	1206	Resistor	4
R23L, R23R, R24L, R24R, R37L, R37R, R38L, R38R, R48L, R48R	47	1206	Resistor	10
R25L, R25R, R26L, R26R	390 металлопленка или фольговый	0.25..0.5Вт	Resistor	4
R27L, R27R, R28L, R28R	20	0207	Resistor	4
R31L, R31R, R34L, R34R, R47L, R47R	18	1206	Resistor	6
R35L, R35R, R36L, R36R	9	1206	Resistor	4
R49L, R49R	100	0207	Resistor	2
R51L, R51R	20	0207	Resistor	2
VD1, VD2, VD3, VD4, VD5L, VD5R, VD6L, VD6R, VD7L, VD7R, VD8L, VD8R	SS24 диод Шоттки	SMB (DO-214AA)	Diод	12
VD9L, VD9R, VD10L, VD10R, VD11L, VD11R, VD12L, VD12R	BAV99	SOT23	2 DIOD	8
VT1, VT9L, VT9R	BСP53	SOT223	PNP	3
VT2	BСP56	SOT223	NPN	1
VT3L, VT3R, VT4L, VT4R, VT5L, VT5R, VT8L, VT8R	BC547 (лучше зеркально 2SC9018)	TO-92	NPN	8
VT6L, VT6R, VT10L, VT10R	BСP56	SOT223	NPN	4
VT7L, VT7R	BСP53	SOT223	PNP	2
VT11L, VT11R, VT12L, VT12R	BD139 или 2SC3421	SOT-32H	NPN	4
X1L, X1R, X2L, X2R	Pin	Pin 1.2	Pin	4
XS1	AMANERO	PLD1-8	X8	1
XS2	X2	MKDSN 1.5-5.08(2)	X2	1
XS3, XS4	X2	PLC-2	X2	2
XS5L, XS5R	X3	MKDSN 1.5-5.08(3)	X3	2