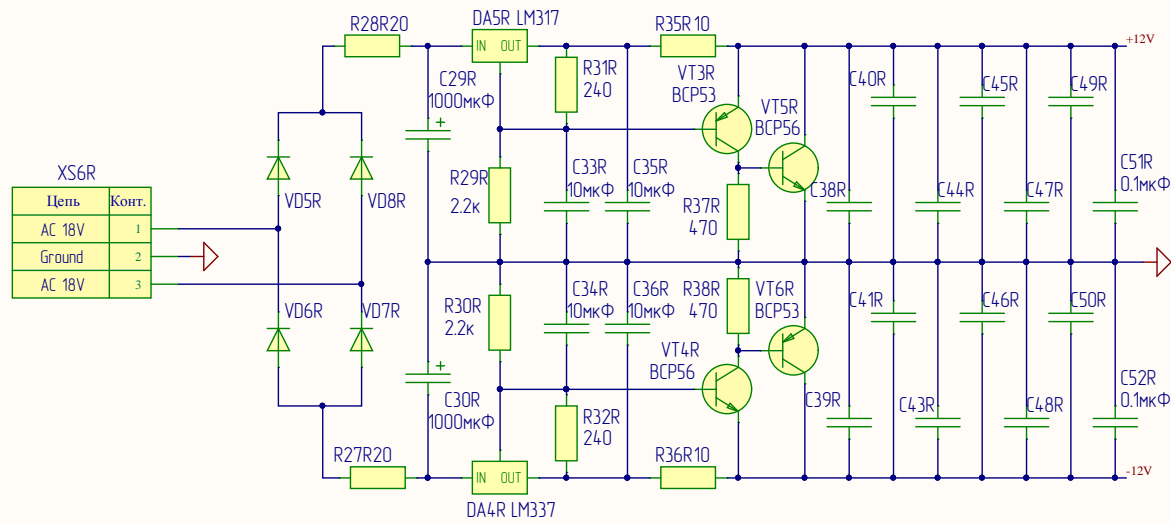
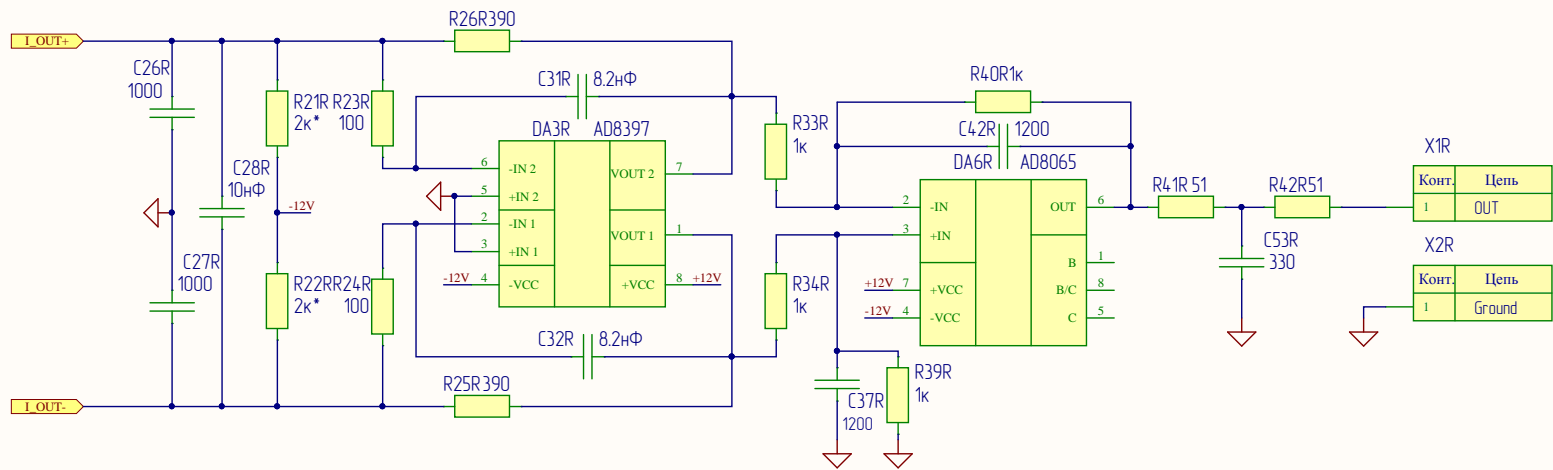


Цепь	Конт.
AC 18V	1
Ground	2
AC 18V	3

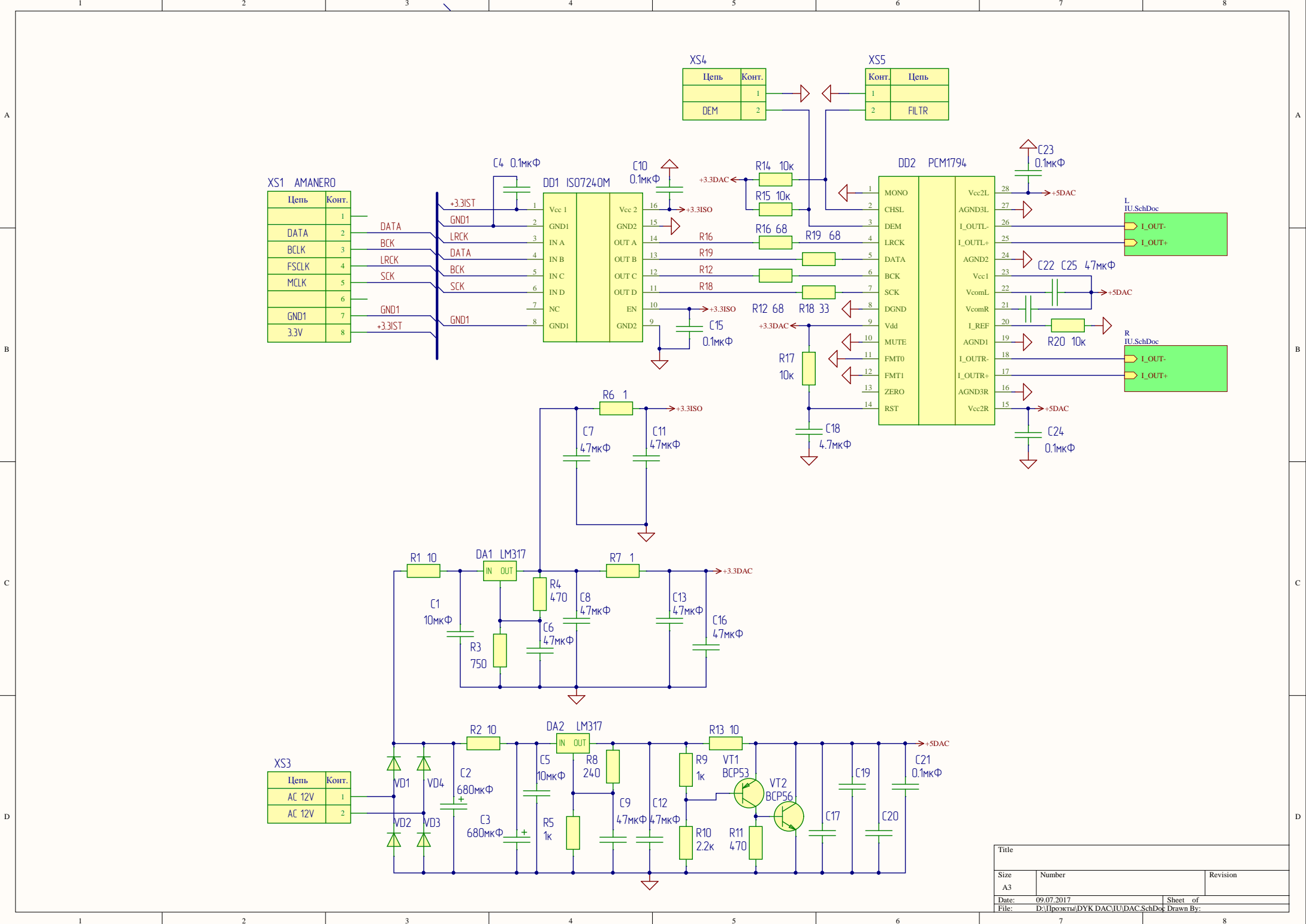
Конт.	Цепь
1	OUT

Конт.	Цепь
1	Ground

Title		
Size	Number	Revision
A3		
Date:	09.07.2017	Sheet of
File:	D:\Проекты\DYK DAC\IU\IU.SchDoc	Drawn By:



Title		
Size A3	Number	Revision
Date: 09.07.2017	Sheet of	
File: D:\Проекты\DYK DAC\IU\IU.SchDoc	Drawn By:	



XS1 AMANERO

Цепь	Конт.
	1
DATA	2
BCLK	3
FSCLK	4
MCLK	5
GND1	6
GND1	7
3.3V	8

XS4

Цепь	Конт.
	1
DEM	2

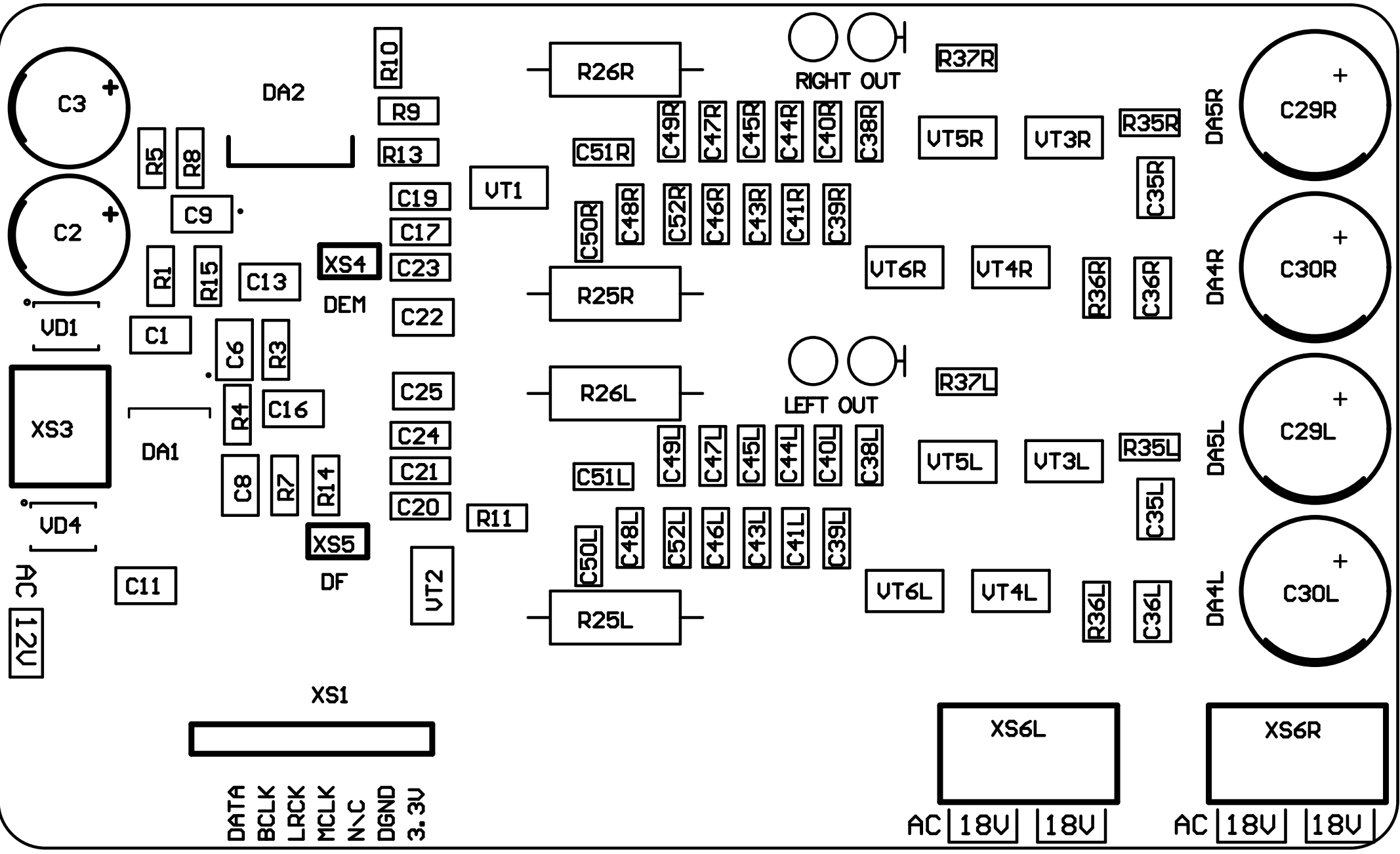
XS5

Конт.	Цепь
1	
2	FILTR

XS3

Цепь	Конт.
AC 12V	1
AC 12V	2

Title		
Size A3	Number	Revision
Date: 09.07.2017	Sheet of	
File: D:\Проекты\DYK DAC\IU\DAC.SchDot	Drawn By:	



DATA
 BCLK
 LRCK
 MCLK
 N/C
 DGND
 3.3V

AC 18V 18V

AC 18V 18V

Bill of Materials

DYK DAC

Source Data From:

Project:

Variant:

Creation Date: 05.07.2017

Print Date: 42925

Designator	Comment	Footprint	LibRef	Quantity
C1, C5, C33L, C33R, C34L, C34R, C35L, C35R, C36L, C36R	10мкФx25В	1210 X7R	Capacitat	10
C2, C3	680мкФx25В	C10x20	Cap Polar	2
C4, C10, C15, C17, C19, C20, C21, C23, C24, C38L, C38R, C39L, C39R, C40L, C40R, C41L, C41R, C43L, C43R, C44L, C44R, C45L, C45R, C46L, C46R, C47L, C47R, C48L, C48R, C49L, C49R, C50L, C50R, C51L, C51R, C52L, C52R	0.1мкФx25В	1206 C0G	Capacitat	37
C6, C7, C8, C9, C11, C12, C13, C16, C22, C25	47мкФx6.3В	1210 X7R	Capacitat	10
C18	4.7мкФx10В	1210 X7R	Capacitat	1
C26L, C26R, C27L, C27R	1000	1206 C0G	Capacitat	4
C28L, C28R	10нФ	1206 C0G	Capacitat	2
C29L, C29R, C30L, C30R	1000мкФx35В	C12x20	Cap Polar	4
C31L, C31R, C32L, C32R	8.2нФ	1206 C0G	Capacitat	4
C37L, C37R, C42L, C42R	1200	1206 C0G	Capacitat	4
C53L, C53R	330	1206 C0G	Capacitat	2
DA1	LM317	DPAK	LM317	1
DA2	LM317	D2PAK	LM317	1
DA3L, DA3R	AD8397	R-PDSO-G8	2 OU	2
DA4L, DA4R	LM337	TO-220-3 Bend Mirro	LM337	2
DA5L, DA5R	LM317	TO-220-3 Bend Mirro	LM317	2
DA6L, DA6R	AD8065	R-PDSO-G8	AD8610	2
DD1	ISO7240M	SOIC 16B	ISO7240M	1
DD2	PCM1794	SSOP28	PCM1794	1
R1, R2, R13, R35L, R35R, R36L, R36R	10	1206	Resistor	7
R3	750	1206	Resistor	1
R4, R11, R37L, R37R, R38L, R38R	470	1206	Resistor	6
R5, R9, R33L, R33R, R34L, R34R, R39L, R39R, R40L, R40R	1к	1206	Resistor	10
R6, R7	1	1206	Resistor	2
R8, R31L, R31R, R32L, R32R	240	1206	Resistor	5
R10, R29L, R29R, R30L, R30R	2.2к	1206	Resistor	5
R12, R16, R19	68	1206	Resistor	3
R14, R15, R17, R20	10к	1206	Resistor	4
R18	33	1206	Resistor	1
R21L, R21R, R22L, R22R	не устанавливать	1206	Resistor	4
R23L, R23R, R24L, R24R	100	1206	Resistor	4
R25L, R25R, R26L, R26R	390 металлопленка или фольговый	от 0.5Вт	Resistor	4
R27L, R27R, R28L, R28R	20	0207	Resistor	4
R41L, R41R, R42L, R42R	51	1206	Resistor	4
VD1, VD2, VD3, VD4, VD5L, VD5R, VD6L, VD6R, VD7L, VD7R, VD8L, VD8R	SS24 диод Шоттки	SMB (DO-214AA)	Diod	12
VT1, VT6L, VT6R	BСР53	SOT223	PNP	3
VT2	BСР56	SOT223	NPN	1
VT3L, VT3R	BСР53	SOT223	PNP	2
VT4L, VT4R, VT5L, VT5R	BСР56	SOT223	NPN	4
XS1	AMANERO	PLD1-8	X8	1
XS3	X2	MKDSN 1.5-5.08(2)	X2	1
XS4, XS5	X2	PLC-2	X2	2
XS6L, XS6R	X3	MKDSN 1.5-5.08(3)	X3	2
				184