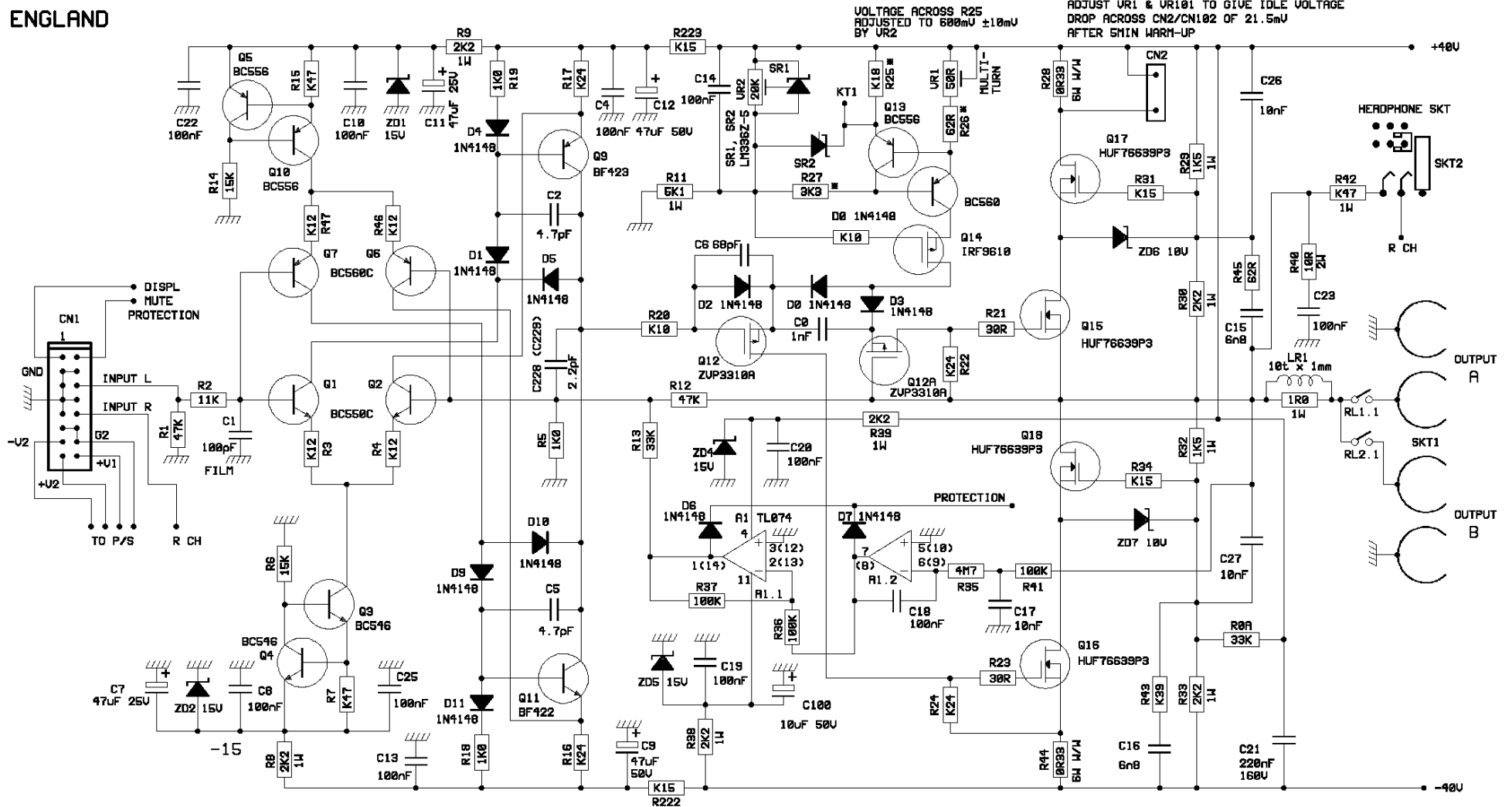


CREEK AUDIO Ltd.
 2 BELLEVUE ROAD
 LONDON N11 3ER
 ENGLAND

SCHMATIC DIAGRAM OF CREEK 5350mk2 SE PART 1
 INTEGRATED AMPLIFIER V1.0



© CREEK AUDIO LTD 2002
 TEL: 020-8361-4133
 FAX: 020-8361-4136
 EMAIL: info@ creekaudio.co.uk

NOTE 1: DRAWING SHOWS LEFT HAND COMPONENTS ONLY
 FOR RIGHT HAND PART NOS ADD 100 EXCEPT
 WHERE SHOWN IN BRACKETS

Version 3.0
 05.08.2002
 FILE: 5350M2SE.SCH