

MIXER

MM **1805x**

SERVICE MANUAL



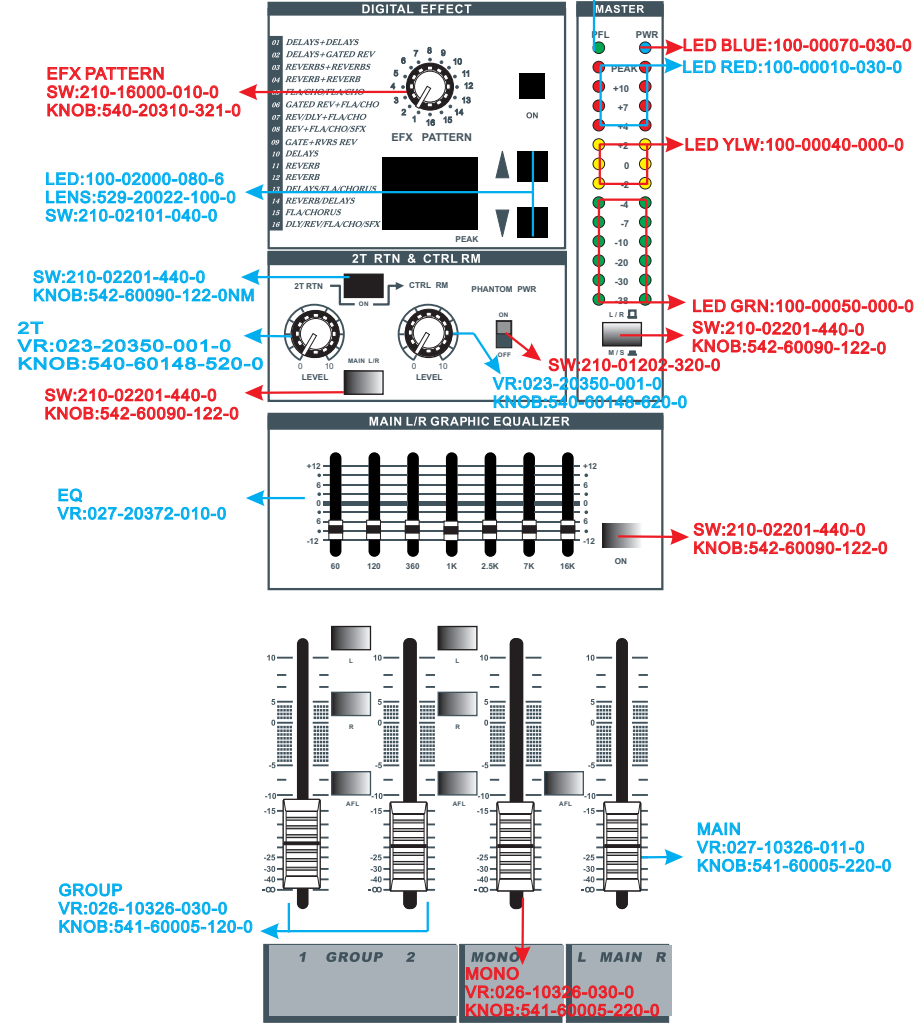
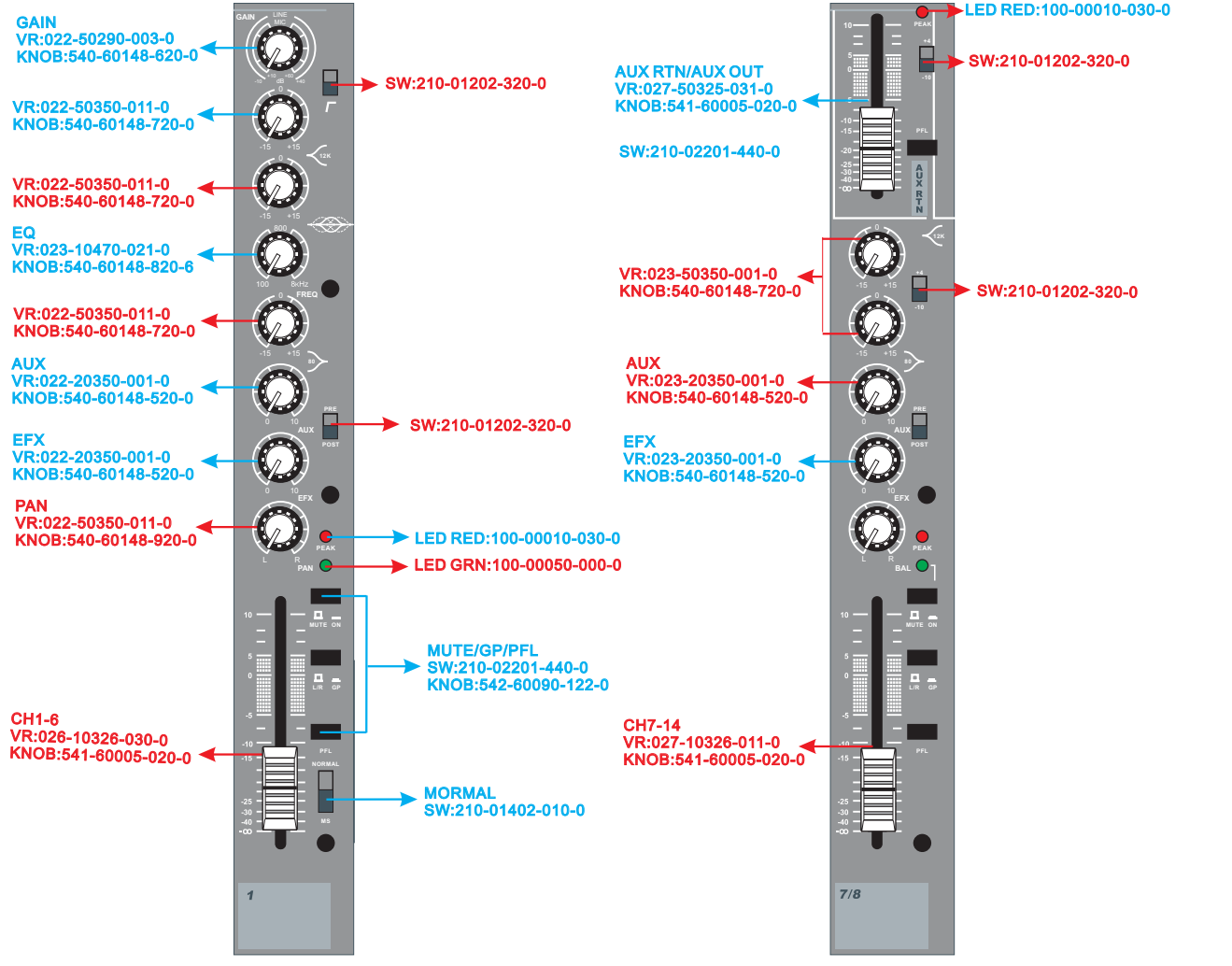
CONTENTS

PANEL LAYOUT.....	3
SYSTEM BLOCK DIAGRAM.....	4
PCB	
MAIN BOARD PCB.....	5
DSP & POWER PCB.....	6
SCHEMATIC	
MASTER_1 SCHEMATIC.....	7
MASTER_2 SCHEMATIC.....	8
MASTER_3 SCHEMATIC.....	9
CHANNEL_1 SCHEMATIC.....	10
CHANNEL_2 SCHEMATIC.....	11
CHANNEL_3 SCHEMATIC.....	12
CHANNEL_4 SCHEMATIC.....	13
CHANNEL_5 SCHEMATIC.....	14
CHANNEL_6 SCHEMATIC.....	15
CHANNEL_7_8 SCHEMATIC.....	16
CHANNEL_9_10 SCHEMATIC.....	17
CHANNEL_10_11 SCHEMATIC.....	18
CHANNEL_12_13 SCHEMATIC.....	19
DISPLAY & POWER SCHEMATIC.....	20
EQ SCHEMATIC.....	21
REV_1 SCHEMATIC.....	22
REV_2 SCHEMATIC.....	23
RTN_IN SCHEMATIC.....	24
PART LIST	
MAIN PCB-PART LIST.....	25
REVERB PCB-PART LIST.....	32
SMD PCB-PART LIST.....	35
MISCELLANEOUS ITEMS.....	36
POWER REQUIREMENT CLASSIFICATION.....	39
IC LIST.....	40
DIMENSIONS.....	41
EXPLODED VIEW.....	42

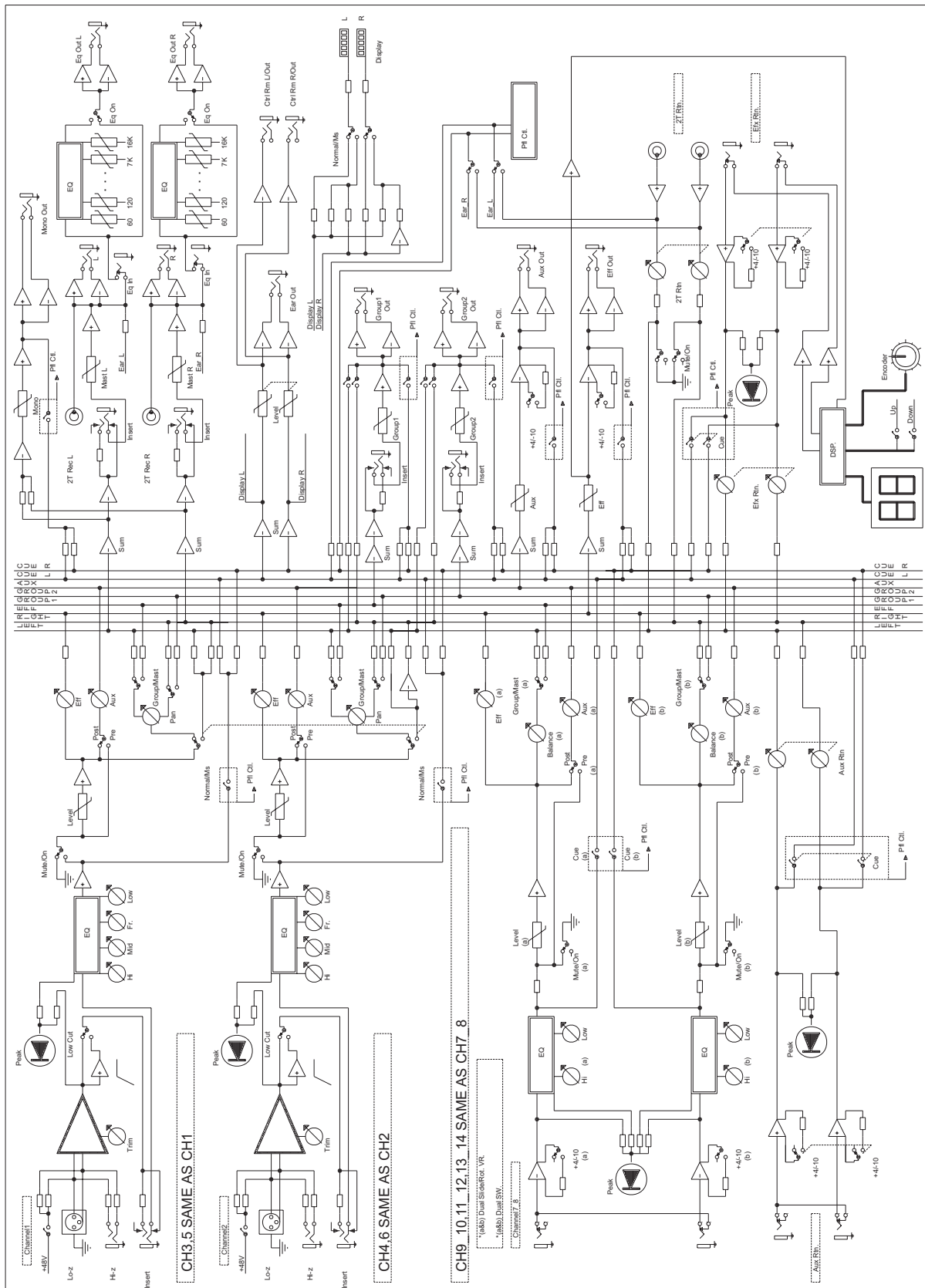
Phonic reserves the right to improve or alter any information supplied within this document without prior notice.

V2.1 May,19.2003

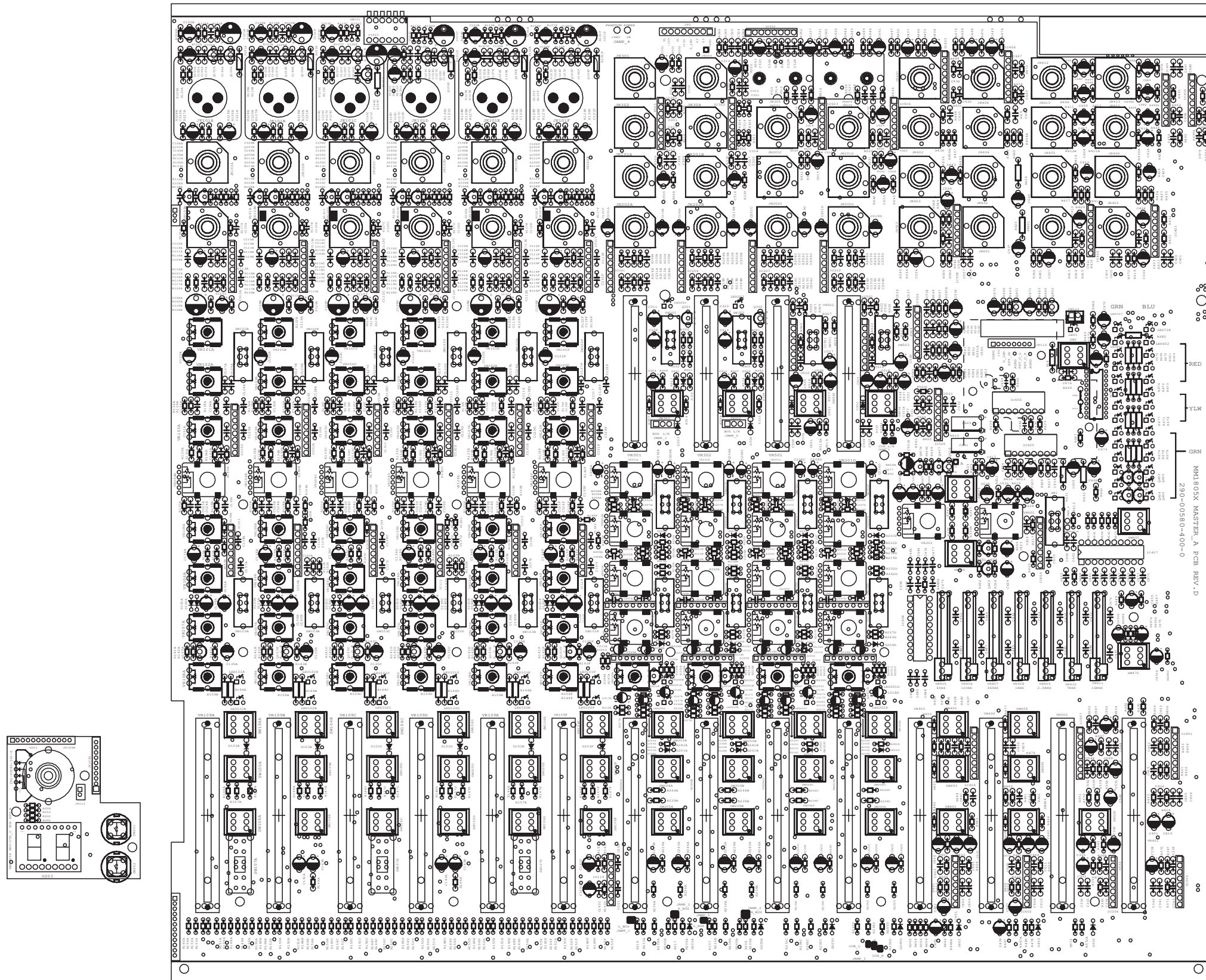
PANEL LAYOUT



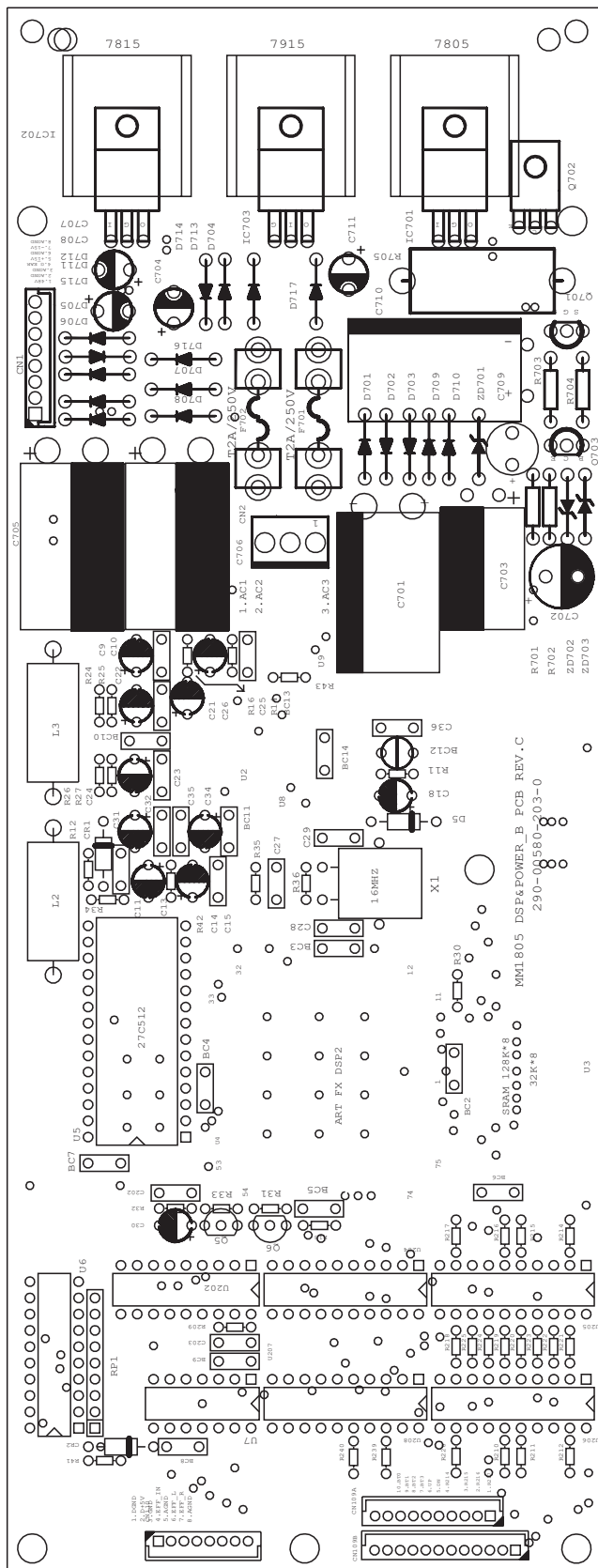
SYSTEM BLOCK DIAGRAM



MAIN BOARD PCB

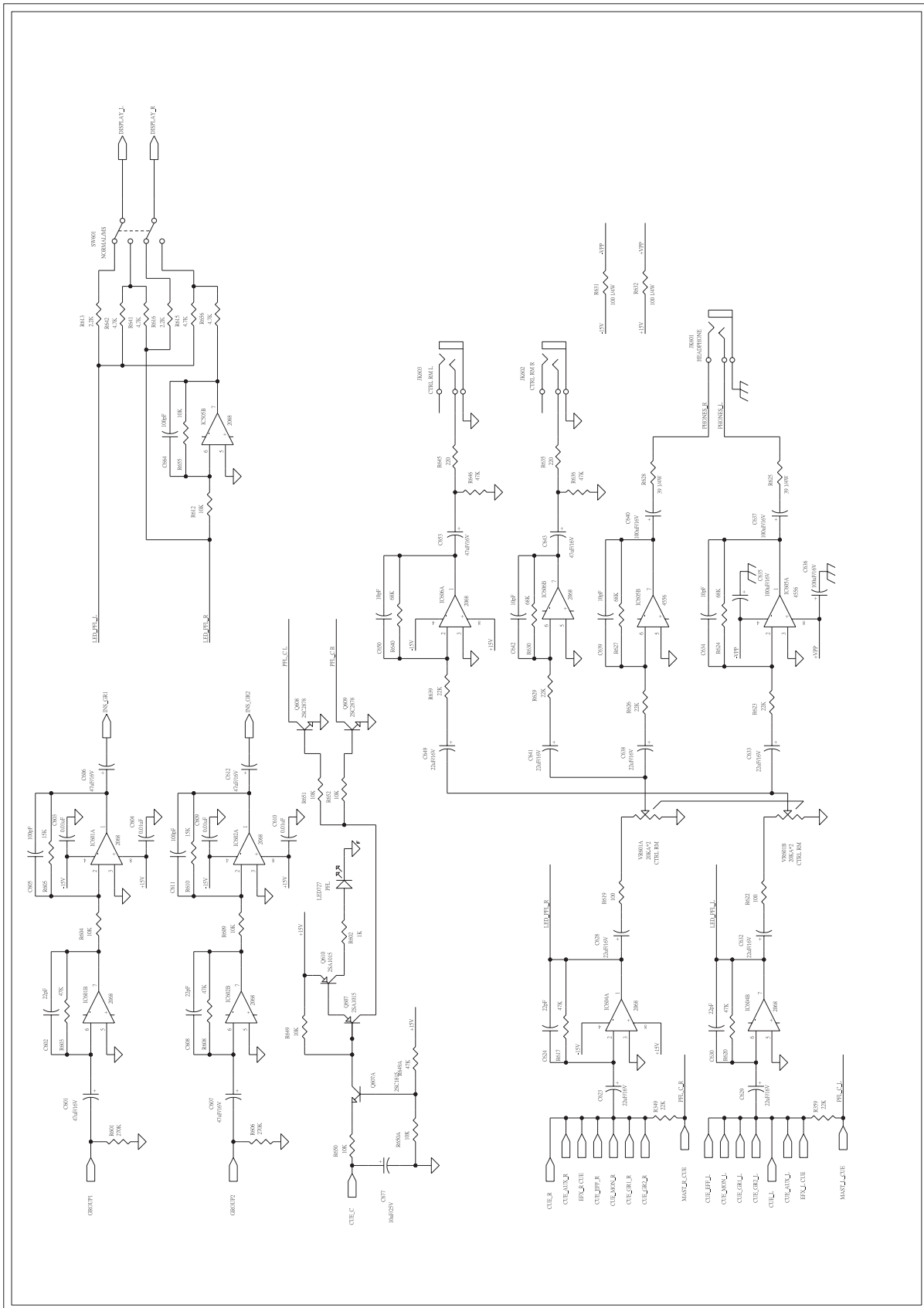


DSP & POWER PCB

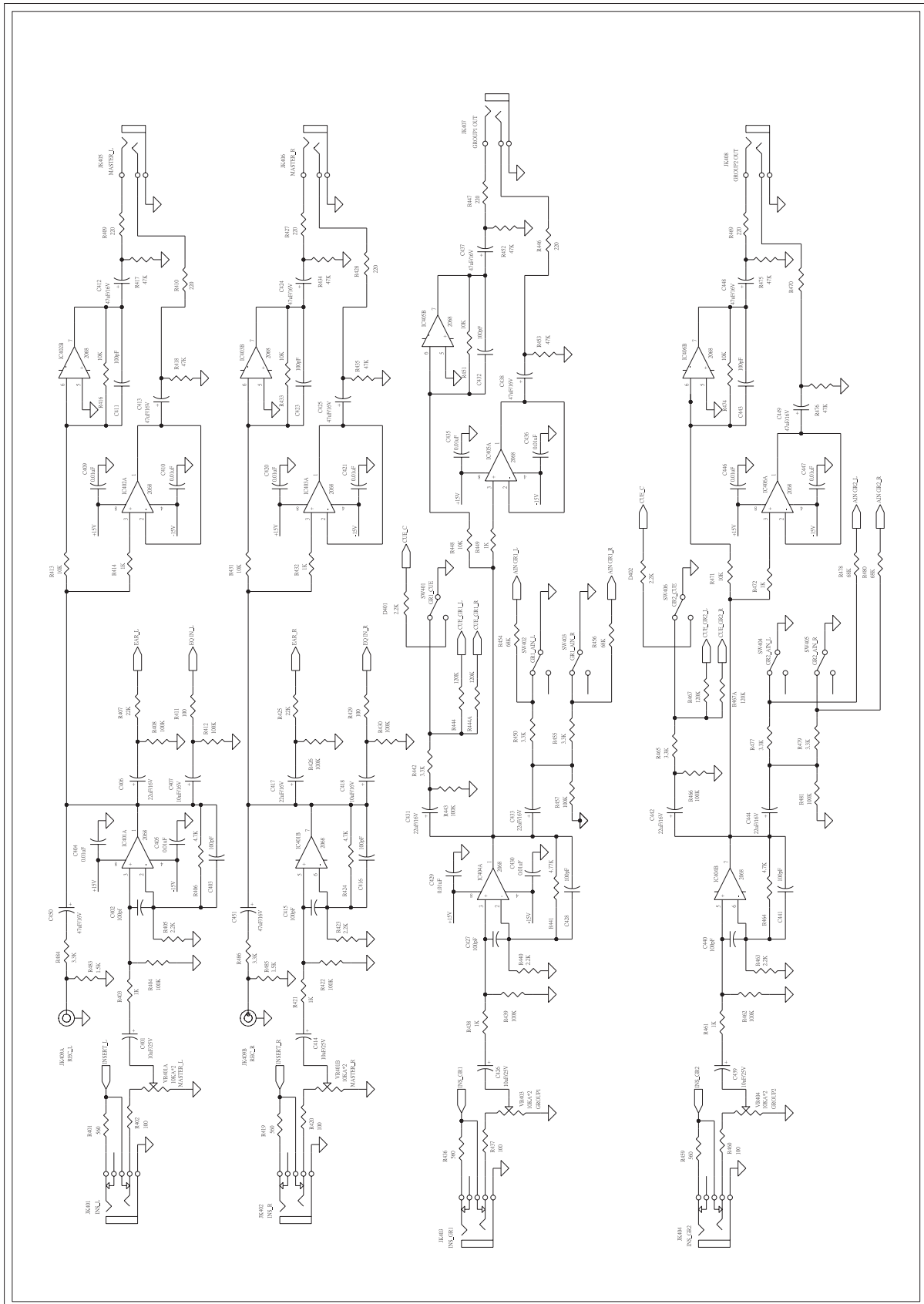


MM1805 DSP&POWER_B_PCB REV.C
290-00580-203-0

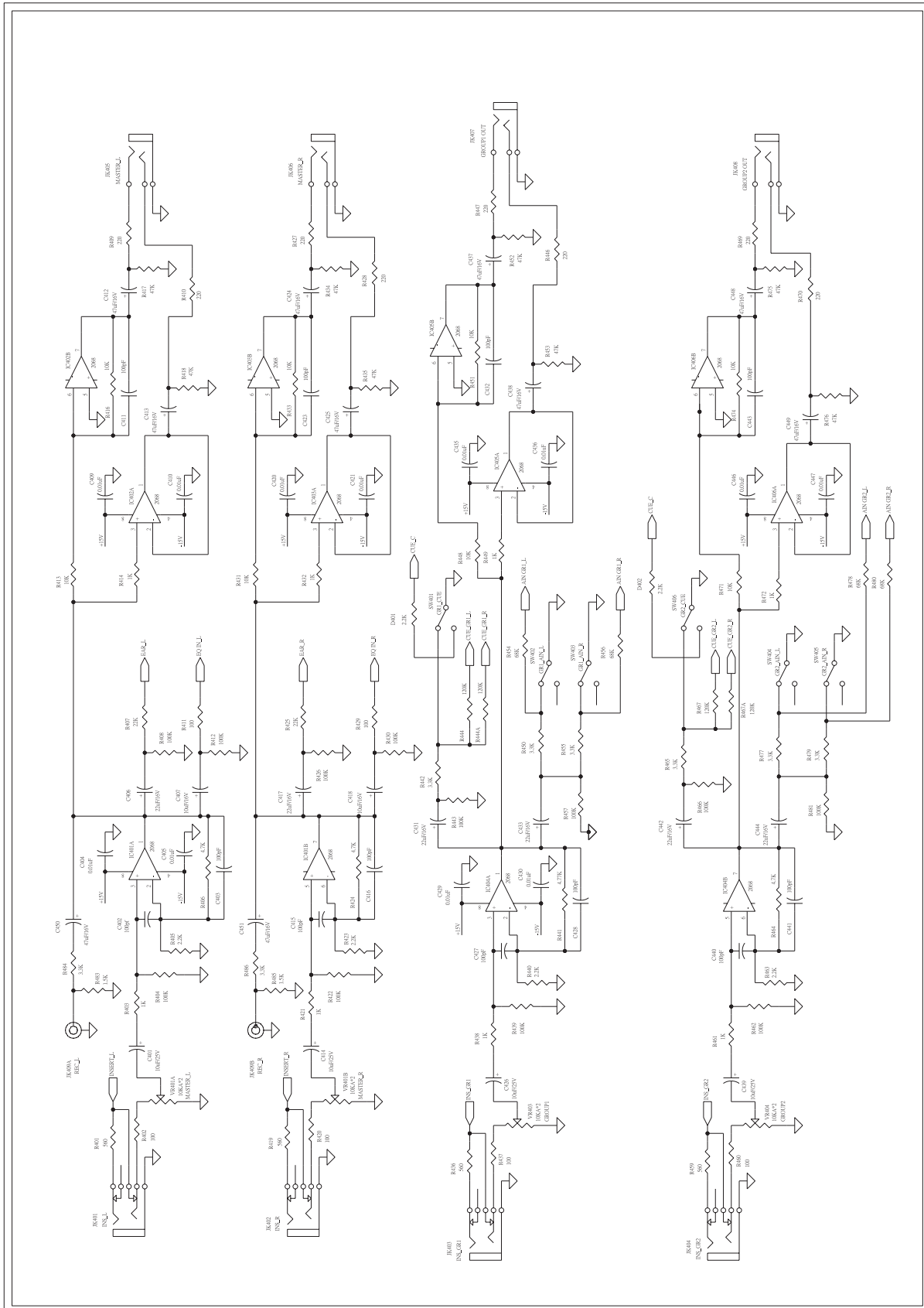
MASTER_1 SCHEMATICS



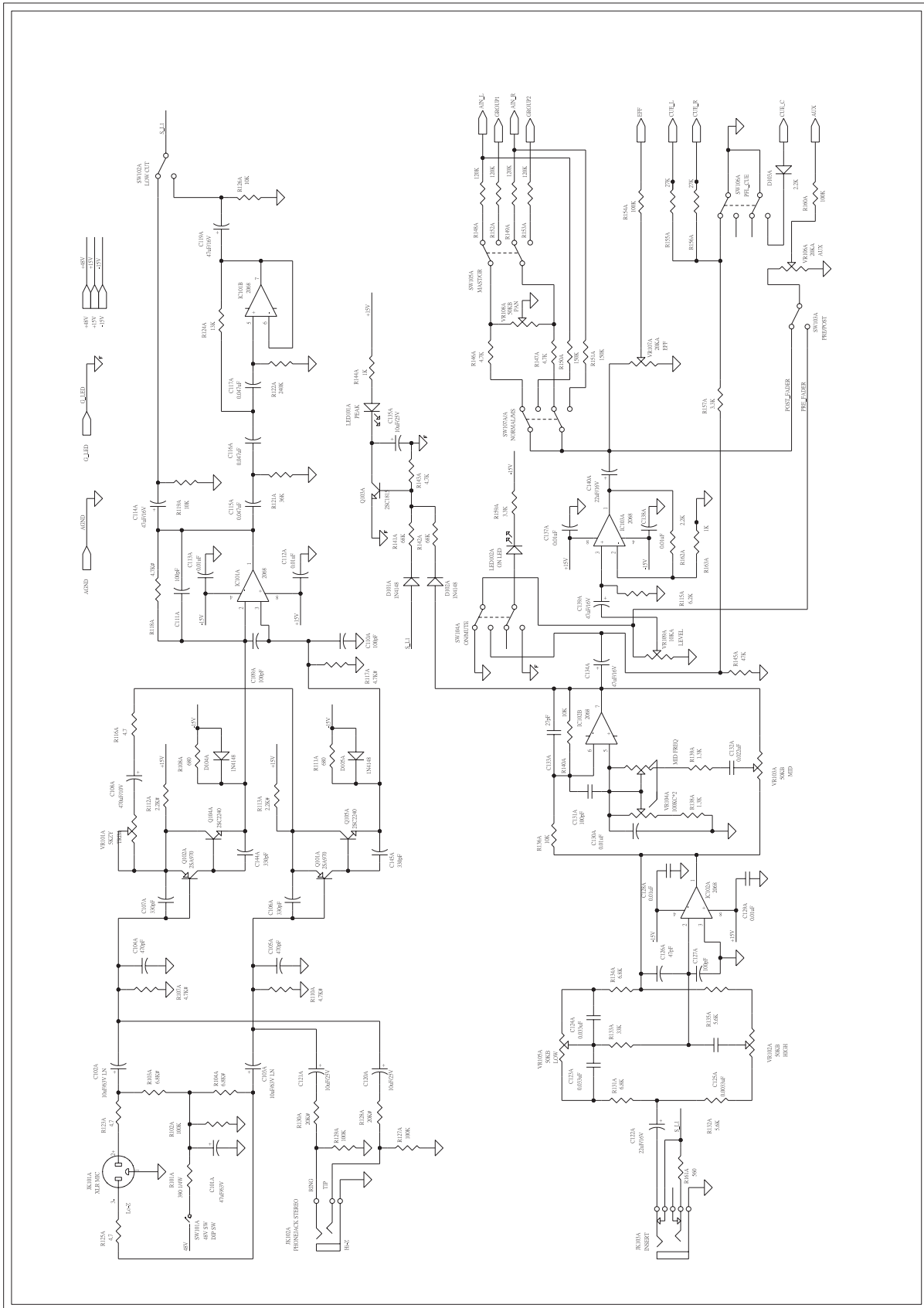
MASTER_2 SCHEMATICS



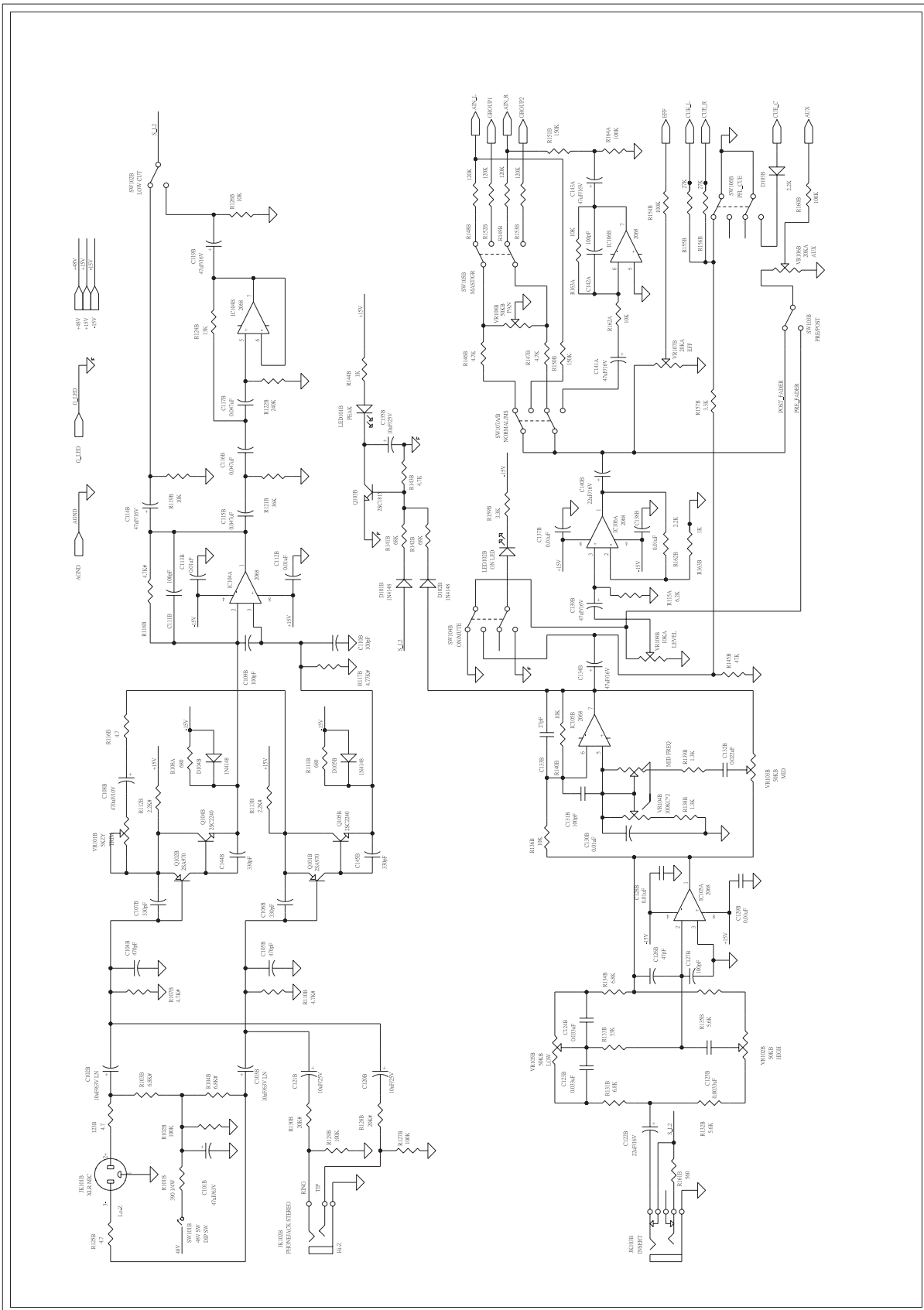
MASTER_3 SCHEMATICS



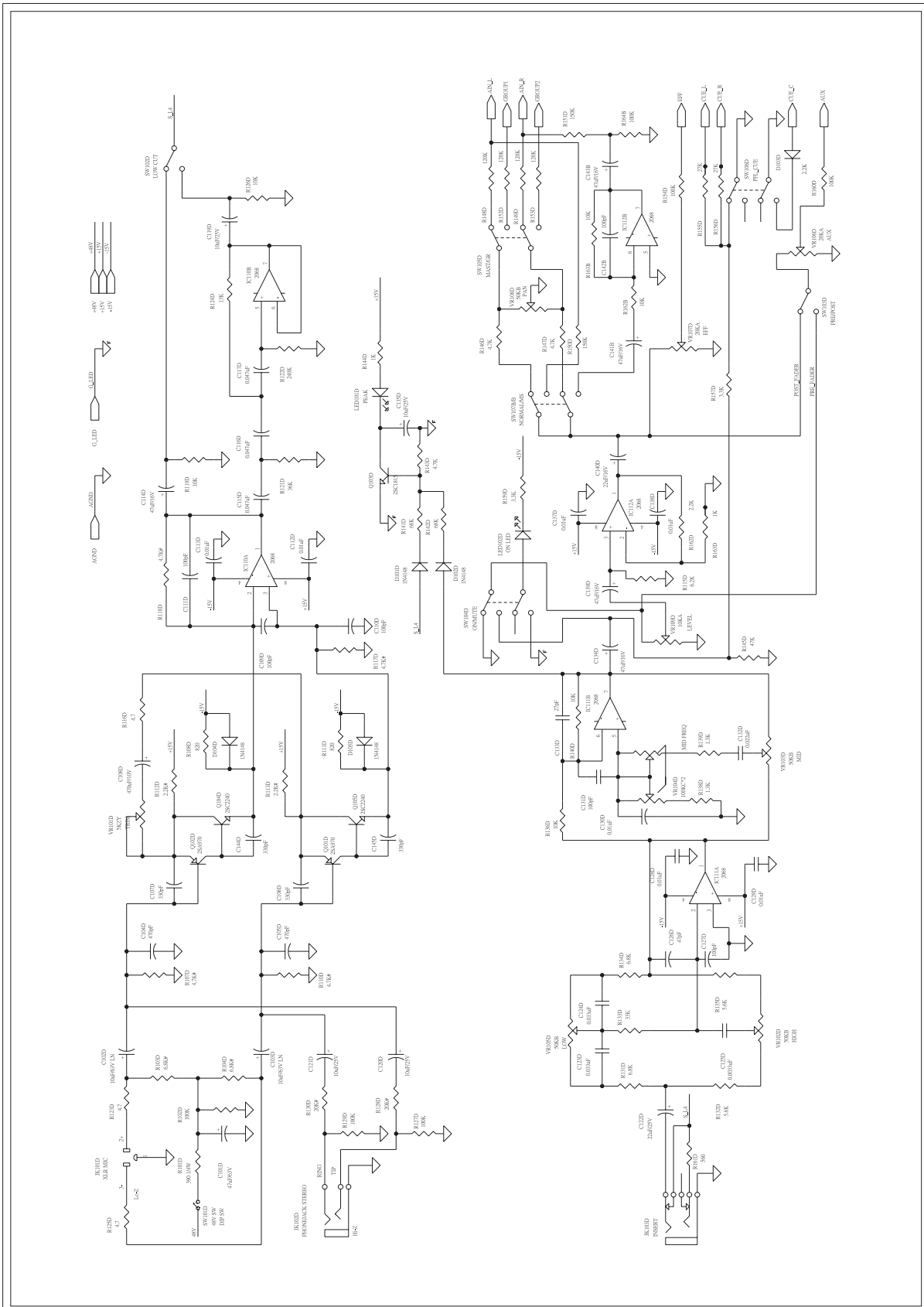
CHANNEL_1 SCHEMATICS



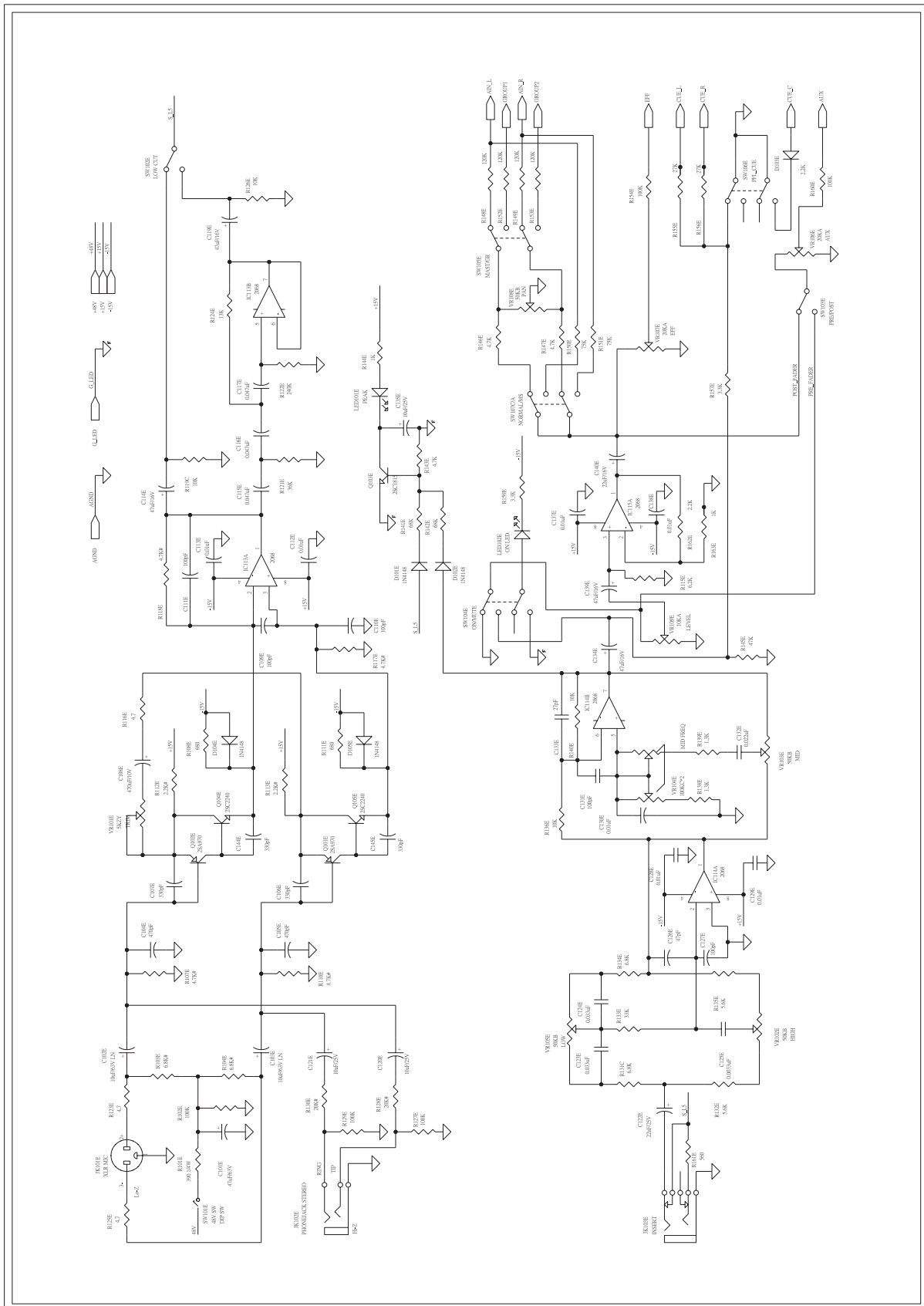
CHANNEL_2 SCHEMATICS



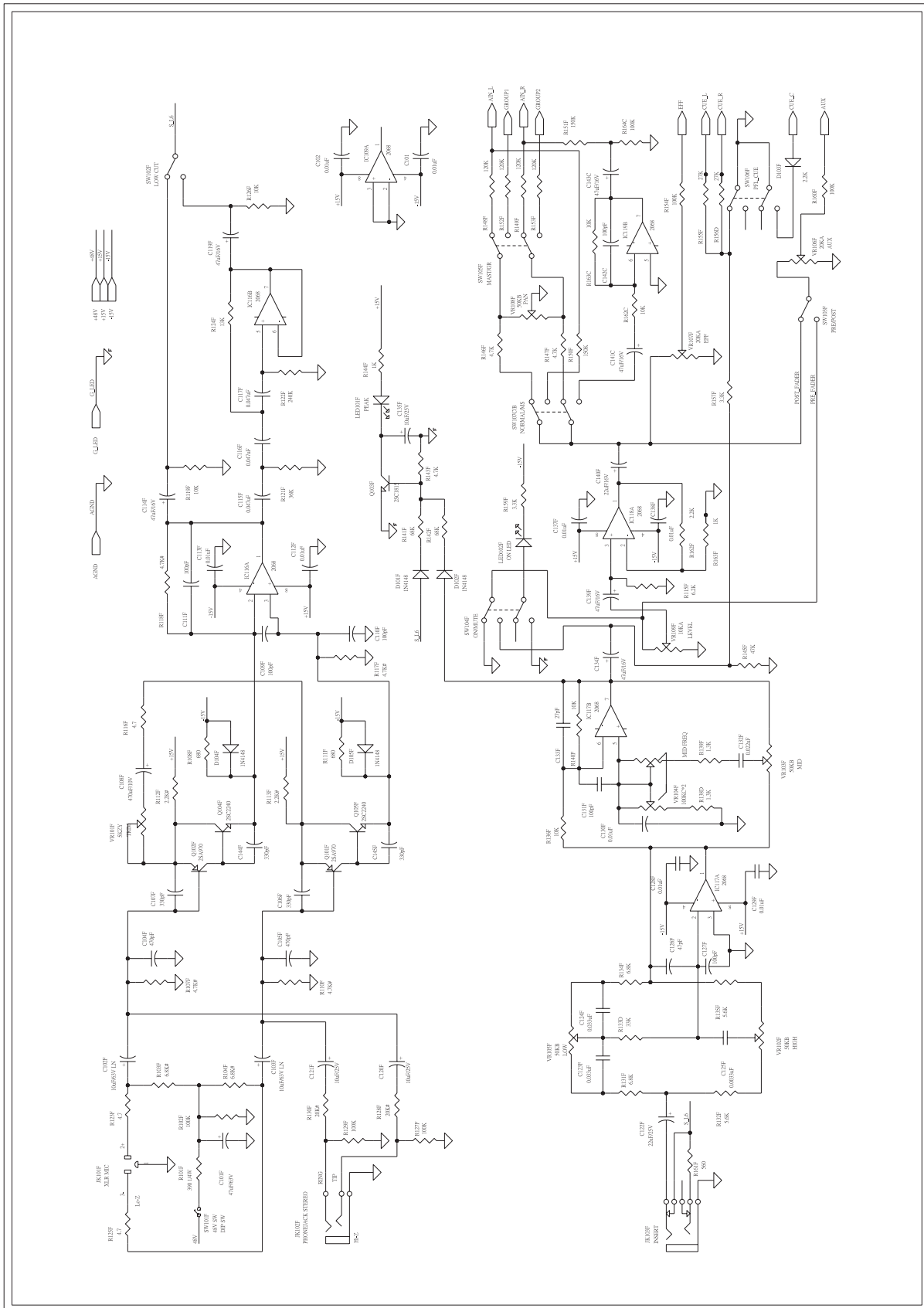
CHANNEL_4 SCHEMATICS



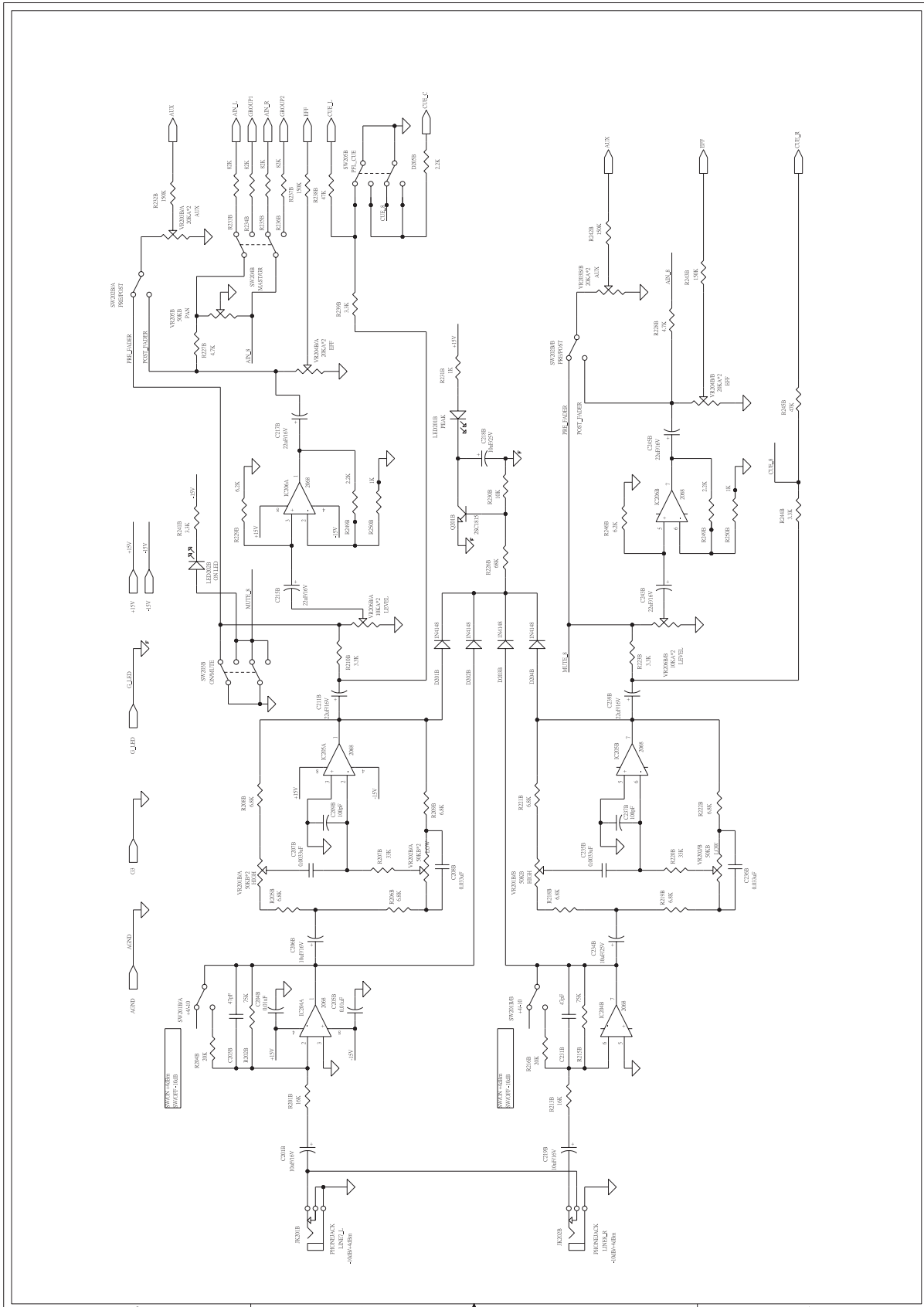
CHANNEL_5 SCHEMATICS



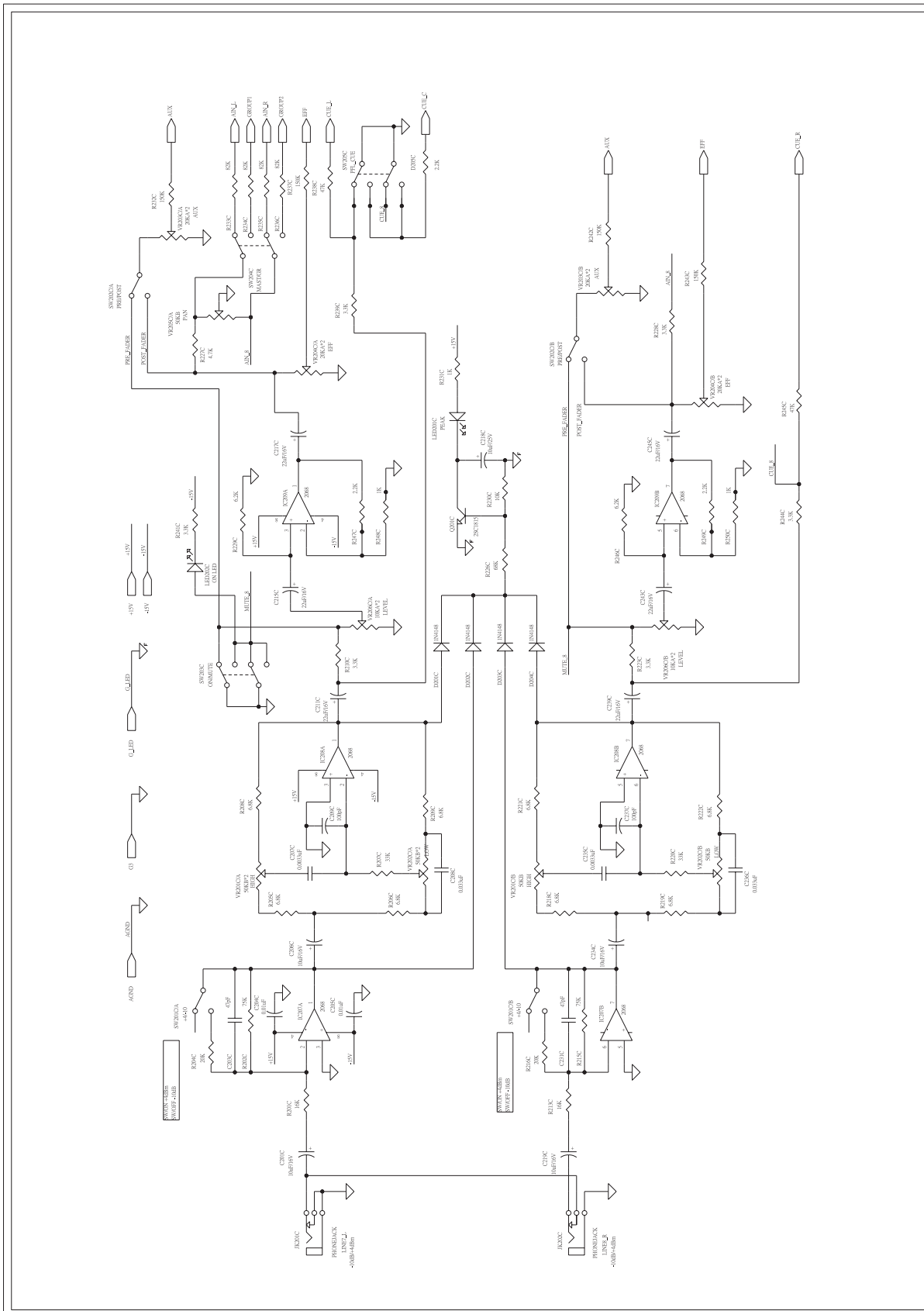
CHANNEL_6 SCHEMATICS



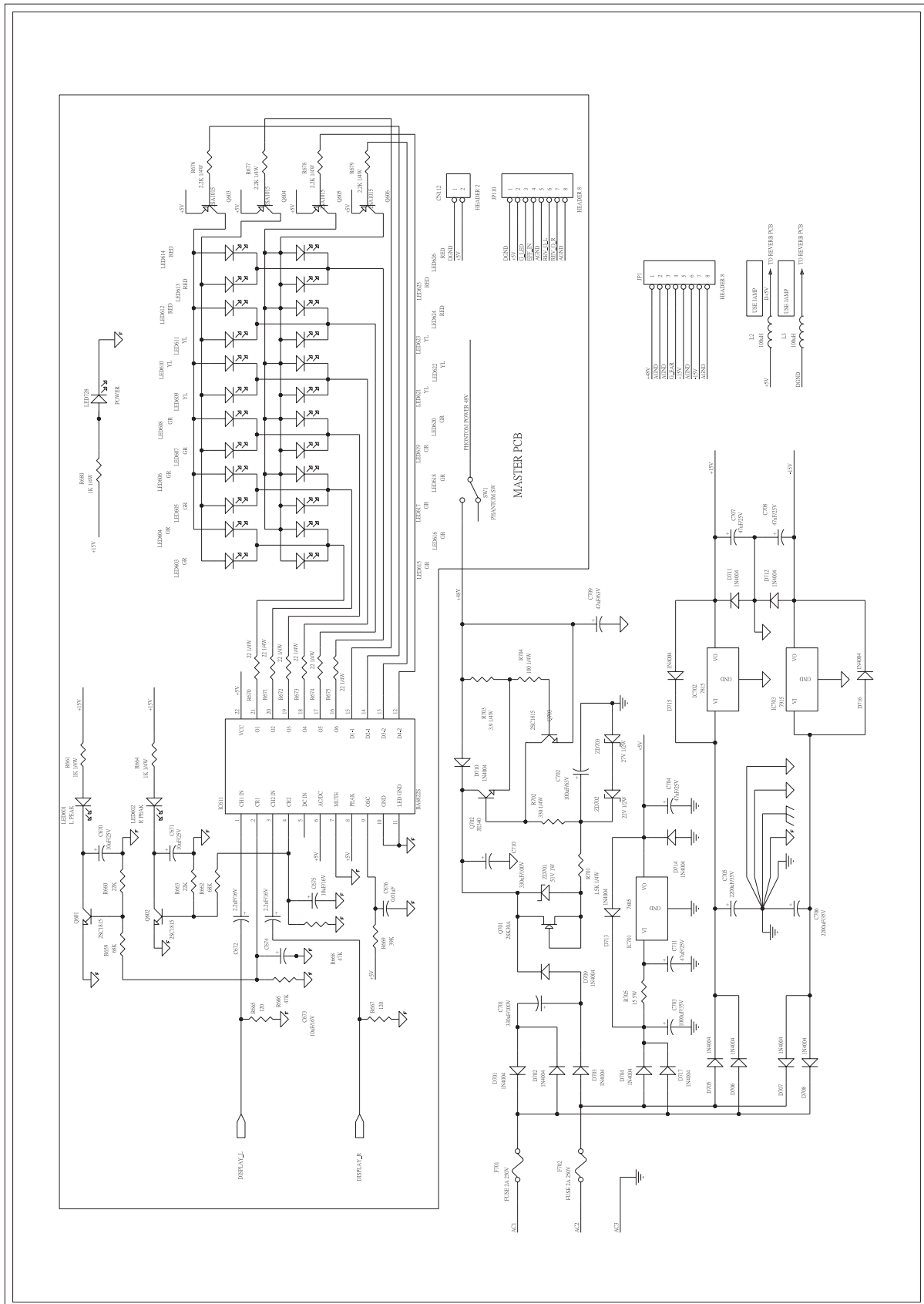
CHANNEL_9_10 SCHEMATICS



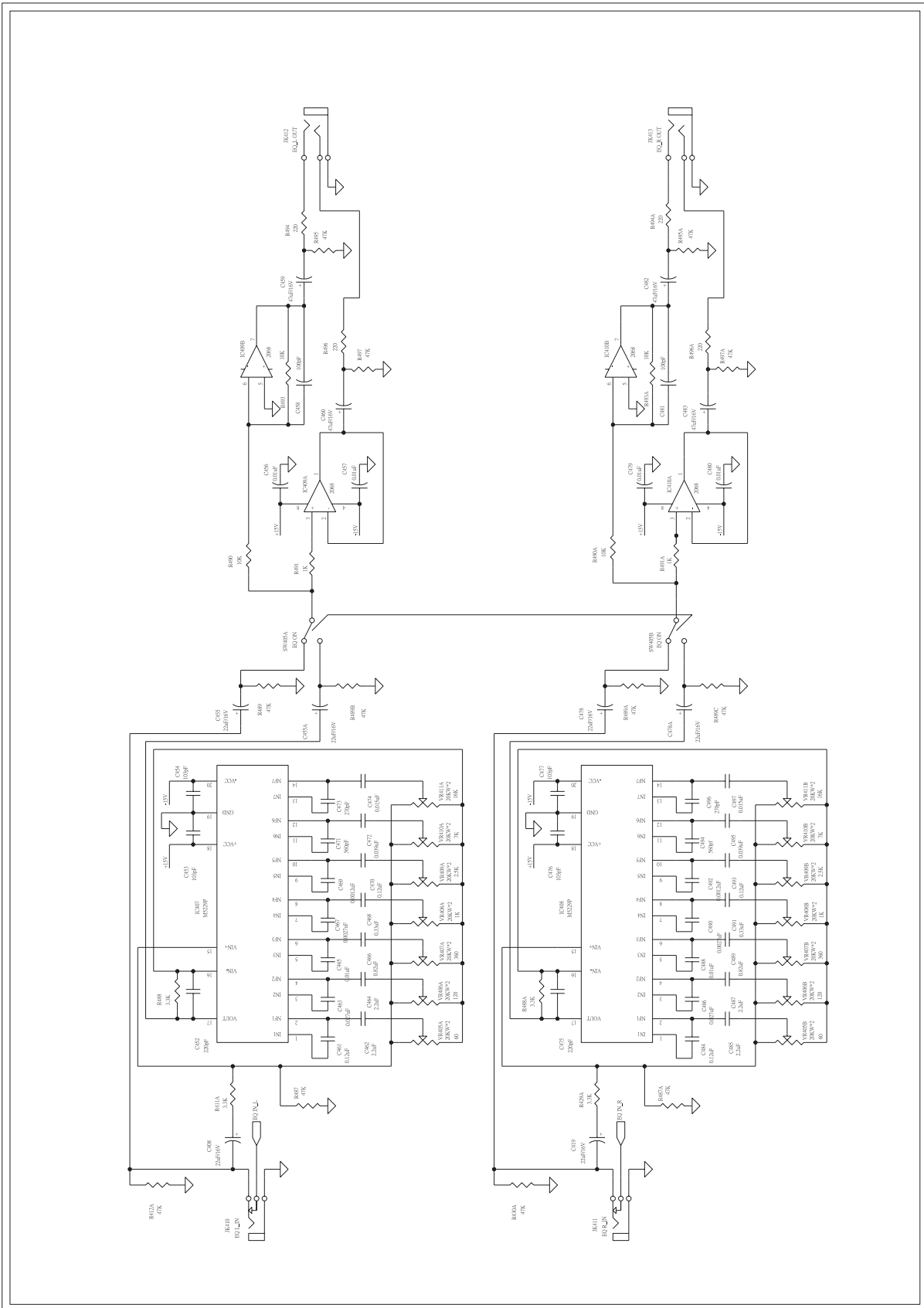
CHANNEL_11_12 SCHEMATICS



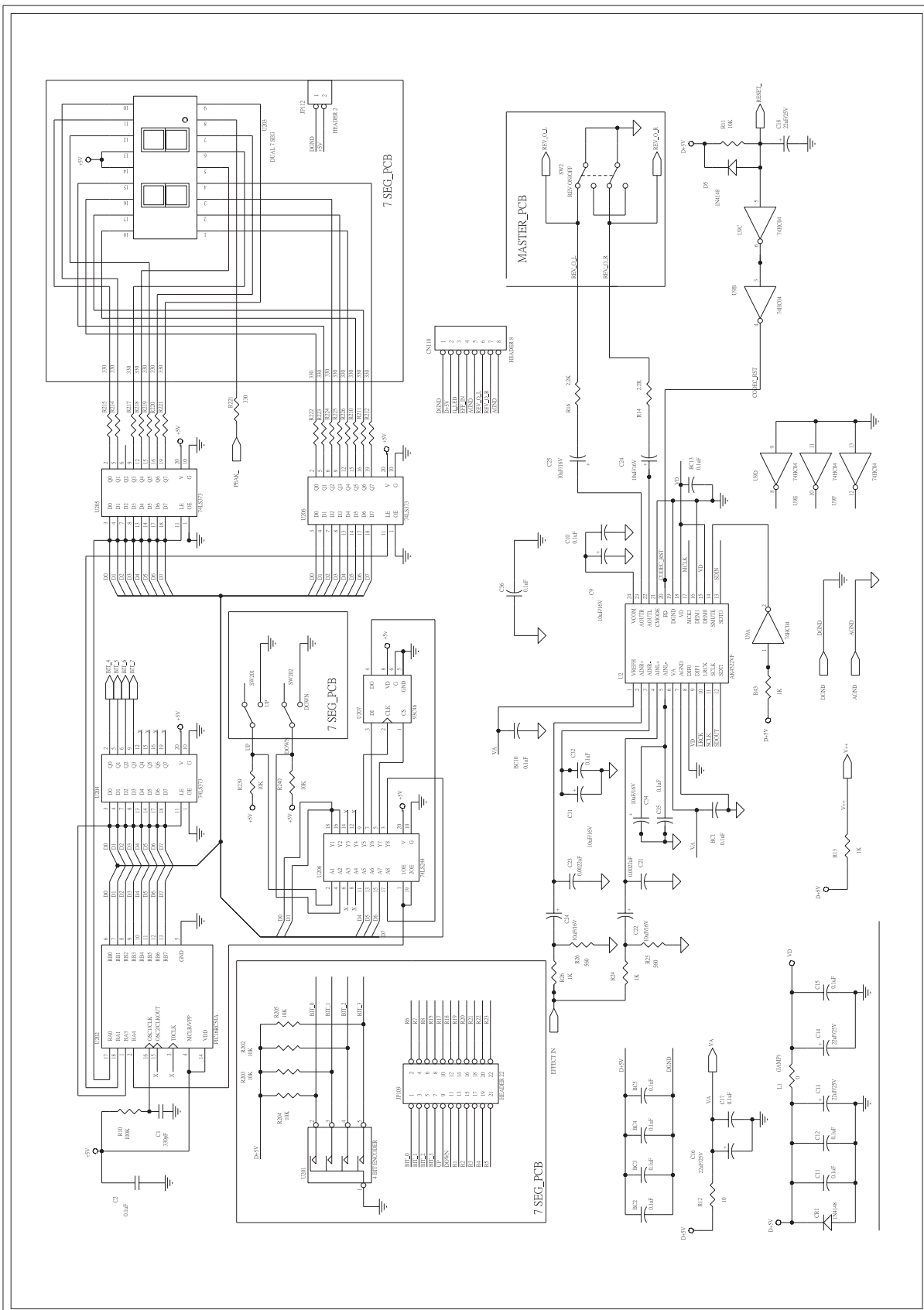
DISPLAY & POWER SCHEMATICS



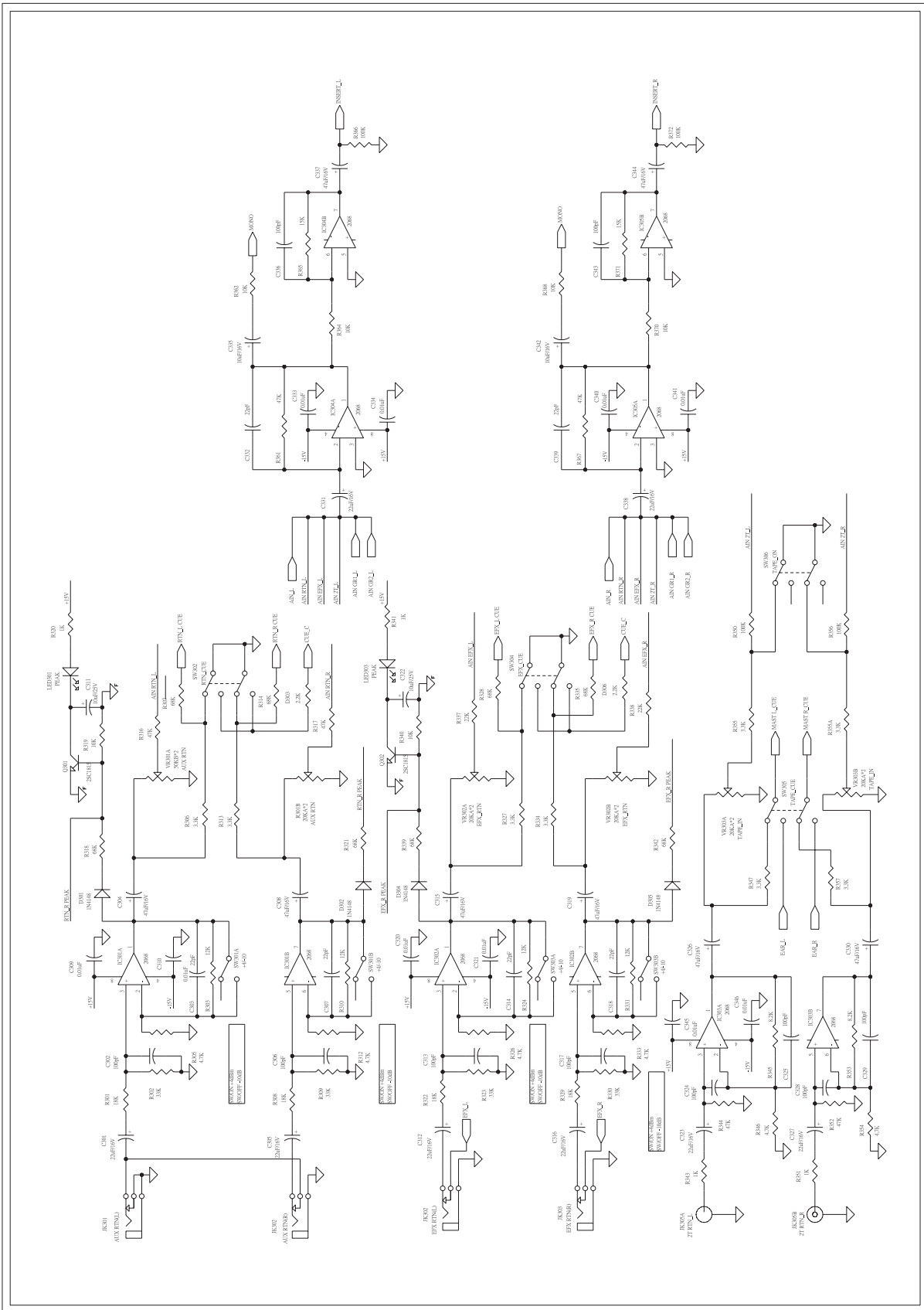
EQ SCHEMATICS



REV_1 SCHEMATICS



RTN_IN SCHEMATICS



MAIN PCB PART LIST

Ref.	Phonic No.	Specifications
R208A-208D	000-68206-400-0	CF RES. 6K8 J 1/8W T
VR106A-106F.107A-107F	022-20350-001-0	S.ROT/VR 20KA L=30MM F=12MM
VR101A-101F	022-50290-003-0	S.ROT/VR 5KZY L=30MM RD09F1130001-5KZ
VR102A-102F.103A-103F.105A-105F .108A-108 F.205A-205D	022-50350-011-0	S.ROT/VR 50KB(C.C)L=30MM
VR104A-104F	023-10470-021-0	D.ROT/VR 100KC 30MM P ALPS
VR203A-203D.204A-204D.303.601	023-20350-001-0	D.ROT/VR 20KA 30MM P
VR201A-201D.202A-202D	023-50350-001-0	D.ROT/VR 50KB(C.C) 30MM P
VR109A-109F.403.404.503	026-10326-030-0	S.SLD/VR 10KA L=15MM 60MM P
VR206A-206D.401	027-10326-011-0	D.SLD/VR 10KA*2 L=15MM 60MM P
VR405-411	027-20372-010-0	D.SLD/VR 20KW*2 20MM P
VR301.302.501.502	027-50325-031-0	D.SLD/VR 50KB 45MM
C462.464.485.487	037-22535-061-0	T/C 2.2MF K 16V T 5
C465.488	040-10325-150-0	ML/C 0.01MF K 50V M 5 AL T
C461.470.484.493	040-12425-160-6	ML/C 0.12MF K 50V 5 T
C474.497	040-15325-100-0	ML/C 0.015MF K 50V P 5 T
C463.486	040-27325-160-0	ML/C 0.027MF K 50V 5 T
C468.491	040-33426-100-0	ML/C 0.33MF M 50V P 5 T
C472.495	040-39325-160-0	ML/C 0.039UF K 50V 5 T
C466.489	040-82426-140-0	ML/C 0.82MF M 50V 5 T
D101A-101F.102A-102F.104A-104F.1 05A-105F.201A-201D.202A-202D.20 3A-203D	090-02000-020-0	DIODE 1N4148 T
D204A-204D.301.302.304.305	090-02000-020-1	DIODE IN4148 T
LED101A-101F.201A-201D.301.303. 601.602.612-614.624-626	100-00010-030-0	LED BL-B5141 RED
LED1.609.610.611.621.622.623	100-00040-000-0	LED 204YD YLW
LED102A-102F.202A-202D.603-608. 615-620.727	100-00050-000-0	LED BL-B2141 GRN
LED728	100-00070-030-0	LED 204UBD D3 BLUE
IC407.408	160-00002-300-0	IC M5229P MITSUBISHI
IC101-119.201-212.301-305.401-406. 409.410.501-508.601.602.604.606	160-00007-510-0	IC NJM2068L JRC
IC605	160-00018-000-0	IC NJM4556AL JRC
IC611	160-00018-200-0	IC BA6822S
SW1.102A-102F.103A-103F.201A-20	210-01202-320-0	SLD/SW SS-22F-11G(NON

MAIN PCB PART LIST

Ref.	Phonic No.	Specifications
SW107A-107C	210-01402-010-0	SLD/SW SS-86011-0402-6T-K-FN
SW2.104A-104F.105A-105F.106A-106F.203A-203D.204A-204D.205A-205D.302.304.305.306	210-02201-440-0	PSH/SW 2P2T SFPC12MC03-PF
SW401-406.470.502.504.505.601	210-02201-440-1	
SW101	210-07060-010-0	DIP SW RPL-RP-06
JK305.409	211-00021-100-0	RCA JACK RL-1414-2D
JK201A-201D.202A-202D.301-304.410.411	211-01601-240-0	6D3/J JY-6351-02-130 SCJ-0658
JK103A-103F.401-404	211-01602-380-0	6D3/J (SCJ-0658-Y)
JK102A-102F.405-408.412.413.501-503.602. 603	211-01602-390-0	6D3/J JY-6351-02-030 SCJ-0658
JK601	211-01602-560-0	6D4/J YLJ-6405-300 (NUT&WASHER)
JK101A-101F	211-03300-160-6	XLR/J SKCA229-1K3F2
CN112	211-10021-161-0	2P WAFER/S TJC3-2A P=2.5MM 180 DEGREE
JP1	212-10080-460-0	8P WAFER/P 80MM UL1007#24 P=2.5MM
JP110	212-10080-540-0	8P WAFER/P 120mm UL1007#24 PITCH:2.0
JAMP_1.2.3	376-00123-183-6	D.S WIRE UL2547 #28 230MM GRY
JAMP_4	379-01301-101-0	M.WIRE UL1007 #26 300MM BLK
JAMP_4	379-01301-120-0	M.WIRE UL1007 #26 300MM RED
	379-02241-101-0	M.WIRE UL1007 #24 240MM BLK
GND	379-02500-101-0	M.WIRE UL1007 #24 50MM BLK
IC206-R144F	379-02700-101-0	M.WIRE UL1007 #24 70MM BLK
	379-05421-122-6	M.WIRE UL1007#18 420MM RED
IC611-PEAK	382-20005-010-0	TINNER WIRE 5.0MM D0.6
SW103A-103F.201A-201D.SW1.202A-202D	610-00300-326-0	PE. WAS. D3.0*D6*0.3
SW102A-102F.301.303.501.503.FOR LED301. 303	610-00300-516-0	FIBER WAS. D3*D8*0.5 RED
LED	615-20092-620-0	LED HOUSING LED3-13
R402.411.420.429.437.460.503.523.619.622	000-10106-400-0	CF RES. 100 J 1/8W T
R631.632	000-10126-400-0	CF RES. 100 J 0.25W T

MAIN PCB PART LIST

Ref.	Phonic No.	Specifications
R144A-144F.231A-231D.320.341.34 3.351.403.414.421.432.438.449.461. 472.491.491A	000-10206-400-0	CF RES. 1K J 1/8W T
R513.533.547.548.551.552.556.566. 602.166 A-166F.248A-248D.250A-250D	000-10206-400-1	
R661.664.680	000-10226-400-0	CF RES. 1K J 0.25W T
R119A-119F.126A-126F.136A-136F.1 40A-140F.162A-162C.163A-163C.23 0A-230D	000-10306-400-0	CF RES. 10K J 1/8W T
R319.340.362.364.368.370.413.416. 431.433.448.451.471.474.490.490A. 493.493A.509	000-10306-400-1	
R510.529.530.544.562.563.604.609. 649.650.650A.651.652	000-10306-400-2	
R102A-102F.127A-127F.129A-129F.1 64A-164C.366.372.404.412.422.430. 439.443.457.462	000-10406-400-0	CF RES. 100K J 1/8W T
R408.426.466.481.518.522.542A.538 .557.571.547A.551A.154A-154F.160 A-160F.350.356	000-10406-400-1	
R665.667	000-12106-400-0	CF RES. 120 J 1/8W T
R303.310.324.331.524	000-12306-400-0	CF RES. 12K J 1/8W T
R444.444A.467.467A.519.519A.539. 539A.572.572A	000-12406-400-0	CF RES. 120K J 1/8W T
R148A-148F.149A-149F.152A-152F.1 53A-153F	000-12406-400-1	
R138A-138F.139A-139F	000-13206-400-0	CF RES 1K3 J 1/8W T
R124A-124F	000-13306-400-0	CF RES. 13K J 1/8W T
R483.485	000-15206-400-0	CF RES. 1K5 J 1/8W T
R365.371.605.610	000-15306-400-0	CF RES. 15K J 1/8W T
R150A-150F.151A-151F.232A-232D. 242A-242D.237A-237D.243A-243D.5 02	000-15406-400-0	CF RES. 150K J 1/8W T
R201A-201D.213A-213D	000-16306-400-0	CF RES. 16K J 1/8W T
R301.308.322.329.505.525.555	000-18306-400-0	CF RES. 18K J 1/8W T
R204A-D.216A-216D	000-20306-400-0	CF RES. 20K J 1/8W T

MAIN PCB PART LIST

Ref.	Phonic No.	Specifications
R409.410.427.428.446.447.469.470. 494.494 A.496.496A.511.515.531.535.564.56 8.635 R645	000-22106-400-0 000-22106-400-1	CF RES. 220 J 1/8W T
R165A-165F.405.423.440.463.558.D 103A-103 F.205A-205D.303.306.501-503.401.4 02	000-22206-400-0	CF RES. 2K2 J 1/8W T
R247A-247D.249A-249D R676-679	000-22206-400-1 000-22226-400-0	CF RES. 2K2 J 0.25W T
R337.338.349.359.407.425.623.626. 629.639 .660.663	000-22306-400-0	CF RES. 22K J 1/8W T
R122A-122F	000-24406-400-0	CF RES 240K J 1/8W T
R155A-155F.156A-156F.307.314.358 .335	000-27306-400-0	CF RES. 27K J 1/8W T
R601.606	000-27406-400-0	CF RES 270K J 1/8W T
R18.157A-157F.159A-159F.210A-210 D.223A-223D.239A-239D.241A-241 D.244A-244D.306	000-33206-400-0	CF RES. 3K3 J 1/8W T
R313.327.334.347.355.355A.357.411 A.429A.442.450.455.465.477.479.48 4.486.488.488A	000-33206-400-1	
R517.537.542.570	000-33206-400-2	
R133A-133F.207A-207D.220A-220D. 302.309.323.330.541	000-33306-400-0	CF RES. 33K J 1/8W T
R559	000-36206-400-0	CF RES 3K6 J 1/8W T
R121A-121F	000-36306-400-0	CF RES. 36K J 1/8W T
R625.628	000-39026-400-0	CF RES. 39 J 0.25W T
R101A-101F	000-39126-400-0	CF RES. 390 J 0.25W T
R669	000-39306-400-0	CF RES. 39K J 1/8W T
R143A-143F.146A-146F.147A-147F.2 27A-227D.228A-228D.305.312.326.3 33.346.354	000-47206-400-0	CF RES 4.7K J 1/8W T
R406.424.441.464	000-47206-400-1	
R145A-145F.344.352.361.367.412A. 417.418.430A.434.435.489B.489C.3	000-47306-400-0	CF RES. 47K J 1/8W T

MAIN PCB PART LIST

Ref.	Phonic No.	Specifications
R452.453.475.476.487.487A.489.489 A.495.495A.497.497A.512.516.532.5 36.546	000-47306-400-1	
R549.550.553.554.565.569.603.608. 617.620.636.646.649A.666.668.245A -245D	000-47306-400-2	
R116A-116F.123A-123F.125A-125F	000-47706-400-0	CF RES 4.7 J 1/8W T
R161A-161F.401.419.436.459	000-56106-400-0	CF RES. 560 J 1/8W T
R132A-132F.135A-135F.504	000-56206-400-0	CF RES. 5K6 J 1/8W T
R115A-115F.229A-229D.246A-246D	000-62206-400-0	CF RES. 6K2 J 1/8W T
R131A-131F.134A-134F.205A-205D. 206A-206D.209A-209D.218A-218D.2 19A-219D	000-68206-400-0	CF RES. 6K8 J 1/8W T
R221A-221D.222A-222D	000-68206-400-1	
R141A-141F.142A-142F.226A-226D. 318.321.339.342.454.456.478.480.62 4.627.630.640	000-68306-400-0	CF RES. 68K J 1/8W T
R659.662	000-68306-400-1	
R202A-202D.215A-215D	000-75306-400-0	CF RES 75K J 1/8W T
R345.353.507.527	000-82206-400-0	CF RES. 8K2 J 1/8W T
R233A-233D.234A-234D.235A-235D .236A-236D	000-82306-400-0	CF RES. 82K J 1/8W T
R612.655	006-10020-440-0	MF RES 10K F 1/8W T
R128A-128F.130A-130F	006-20020-440-0	MF RES 20K F 1/8W T
R112A-112F.113A-113F.613.616	006-22010-440-0	MF RES 2K2 F 1/8W T
R117A-117F	006-39010-440-0	MF RES 3K9 F 1/8W T
R107A-107F.110A-110F.118A-118F.6 15.641.642.656	006-47010-440-0	MF RES 4K7 F 1/8W T
R108A-108F.111A-111F	006-68000-440-0	MF RES 680 F 1/8W T
R103A-103F.104A-104F	006-68010-440-0	MF RES 6K8 F 1/8W T
C135A-135F.201A-201D.219A-219D. 311.322.335.342.401.407.414	030-10626-0A0-0	E/C 10MF M 16V 5*11 T
C418.426.439.506.521.551.670.671. 673.675	030-10626-0A0-1	
C120A-120F.121A-121F.521A.677	030-10638-0A0-0	E/C 10MF Z 25V 5*11 T

MAIN PCB PART LIST

Ref.	Phonic No.	Specifications
C635.636.637.640	030-10728-0A0-0	E/C 100MF Z 16V 6*11 T
C672.674	030-22526-0A0-0	E/C 2.2MF M 16V 5*11 T
C122A-122F.140A-140F.215A-215D. 243A-243D.301.305.312.316.323.32 7.331.338.406.408	030-22628-0A0-0	E/C 22MF Z 16V 5*11 T
C417.419.431.433.442.444.455.478. 505.51.520.530.535.540.541.545.550 .560.623.6287	030-22628-0A0-1	
C455A.455B.629.632.633.638	030-22628-0A0-2	
C114A-114F.119A-119F.134A-134F.1 39A-139F.141A-141C.143A-143C.30 4.308.315.319.326	030-47628-0A0-0	E/C 47MF Z 16V 5*11 T
C330.337.344.412.413.424.425.437. 438.448-451.459.460.482.483.501.5 13.516.518.526	030-47628-0A0-1	
C529.546.556.559.601.606.607.612. 643.653	030-47628-0A0-2	
C101A-101F	030-47666-0A0-0	E/C 47MF M 63V T
C108A-108F	030-47718-0A0-0	E/C 470MF Z 10V 8*11 T
C102A-102F.103A-103F	033-10664-0A0-0	LN E/C 10MF J 63V T 6*11
C206A-206D.234A-234D	035-10628-0A0-0	MINI E/C 10MF Z 16V T 4*7
C218A-218D	035-10636-0A0-0	MINI E/C 10MF M 25V T
C211A-211D.217A-217D.239A-239D. 245A-245D.641.649	035-22626-0A0-0	MINI E/C 22MF M 16V T
C507.522.634.639.642.650	042-10025-050-0	C/C2 10PF K 50V 5 T
C109A-109F.110A-110F.111A-111F.1 27A-127F.131A-131F.142A-142C.209 A-209D.237A-237D	042-10124-050-0	C/C2 100PF J 50V T
C302.306.313.317.324.325.328.329. 336.343.402.403.411.415.416.423.42 7.428.432	042-10124-050-1	
C440.441.443.458.481.512.525.547. 552.555.605.611.664	042-10124-050-2	
C130A-130F	042-10325-050-0	C/C2 0.01MF K 50V T
C 101.102.112A-112F.113A-113F.128A- 128F.129A-129F.137A-137F.138A-13	042-10326-050-0	C/C2 0.01MF M 50V 5 T

MAIN PCB PART LIST

Ref.	Phonic No.	Specifications
C204A-204D.205A-205D.309.310.320.321.333.334.340.341.345.346.404.405.409.410	042-10326-050-1	
C420.421.429.430.435.436.446.447.453.45.456.457.476.477.479.480.503.504.5084	042-10326-050-2	
C509.514.515.527.528.532.533.538.539.548.549.557.558.603.604.609.610.676	042-10326-050-3	
C303.307.314.318.332.339.502.519.602.608.624.630	042-22024-050-0	C/C2 22PF J 50V 5 T
C452.475	042-22124-050-0	C/C2 220PF J 50V 5 T
C133A-133F.	042-27025-050-0	C/C 27PF K 50V T
C473.496	042-27125-050-0	C/C2 270PF K 50V 5 T
C106A-106F.107A-107F.144A-144F.145A-145F	042-33125-050-0	C/C2 330PF K 50V T
C126A-126F.203A-203D.231A-231D.	042-47024-050-0	C/C2 47PF J 50V 5 T
C104A-104F.105A-105F	042-47124-050-0	C/C2 470PF J 50V 5 T
C471.494	042-56124-050-0	C/C2 560PF J 50V 5 T
C469.492	046-12204-060-0	M/C 0.0012MF J 50V 5 T
C132A-132F	046-22304-060-0	M/C 0.022MF J 50V 5 T
C467.490	046-27204-060-0	M/C 0.0027MF J 50V 5 T
C125A-125F.207A-207D.235A-235D	046-33204-060-0	M/C 0.0033MF J 50V 5 T
C123A-123F.124A-124F.208A-208D.236A-236D	046-33305-060-0	M/C 0.033UF K 50V T
C115A-115F.116A-116F.117A-117F	046-47304-060-0	M/C 0.047MF J 50V T
Q103A-103F.201A-201D.301.302.601.602.607 A	120-00000-800-0	TRAN. 2SC1815 GR TOSHIBA
Q104A-104F.105A-105F	120-00001-010-0	TRAN 2SC2240-BL TOSHIBA
Q608.609	120-00006-200-0	TRAN. 2SC2878 TOSHIBA
Q603-607.610	121-00000-200-0	TRAN. 2SA1015 GR TOSHIBA
Q101A-101F.102A-102F	121-00000-500-0	TRAN 2SA970-BL TOSHIBA
	290-00580-400-0	PCB MM1805X-A MAIN REV.C
R543.545	382-20005-010-0	TINNER WIRE 5.0MM D0.6

REVERB PCB PART LIST

Ref.	Phonic No.	Specifications
R705	003-15073-600-0	CEMENT RES 15 J 5W
RP1	017-08090-010-0	NETWORK RES. A8-332 J 9P 3.3K
C703	030-10846-000-0	E/C 1000MF M 35V 10*21 T
C705.706	030-22848-002-0	E/C 2200MF Z 35V 16*27 P
C701.710	030-33789-000-0	E/C 330MF B 100V 16*25 P
D701-717	090-00007-020-0	DIODE IN4004 SILTEK T
ZD702	090-01223-000-0	Z/DIODE 22V 0.5W IN5251B
ZD703	090-01273-010-0	ZEN/DIODE 27V K 0.5W
ZD701	090-01513-110-0	Z/D10DE 51V 1W MOTOROLA
Q702	120-00005-000-0	TRAN MJE340 MOTOROLA
Q701	122-00000-200-0	FET 2SK30A-GR TOSHIBA
IC703	160-00002-904-0	IC 7915 NS
IC701	160-00004-114-0	IC UPC7805H NEC (KIA)
IC702	160-00005-002-0	IC 7815 NS
U208	170-00001-030-0	TTL IC DM74LS244 DIP FAIRCHILD
U204.205.206	170-00005-000-0	TTL IC DM74LS373 DIP FAIRCHILD
U7	171-00002-800-0	CMOS IC PC74HC30P
U6	171-00002-900-0	CMOS IC PC74HC374P
U202	177-00001-520-0	CPU IC DIP PIC16C54C-RC
U5	177-01003-510-0	IC M27C512-12 SINGAPORE WINBOND
CN2	211-10034-080-0	HEADER AMP 640445-3
CN110	211-10080-000-0	8P WAFER/S A200/WV2-8P P=2.0MM
CN1	211-10081-140-0	8P WAFER/S A2501WV2-8P
CN109A	211-10100-020-0	10P WAFER P=2.0 180 DEGREE
CN109B	211-10120-020-0	12P WAFER/S 180 DEGREE
U202	211-11182-000-6	IC/S 18P
U5	211-11282-001-0	IC/S 28P 17*35MM
F701*2.702*2	281-00000-020-0	FUSE CLIP FH-1206
X1	300-24572-000-0	CRYSTAL HC-49/U 24.576MHZ
	313-00000-060-0	RUBBER WASHER TO-2203
IC*3 TRANSISTOR*1	314-00000-050-0	BUSHES 602S(V.0) 180 DEGREE
	379-01800-101-0	M.WIRE UL1007 #26 80MM BLK
	379-05630-101-0	M.WIRE UL1007 #18 63MM BLK
	526-20043-010-0	HEAT SINK MM1805X
REVER PCB HEAT SINK*2	590-43006-200-0	M/E PAN SCR. M3.0*6 BLK

REVERB PCB PART LIST

Ref.	Phonic No.	Specifications
IC*3 TRANSISTOR *1	590-83008-100-0	M/E RUD SCR (WASHER) M3*8NI
DIGITAL BACK PANEL *1	630-20041-450-0	PCB INSU 252.2*103MM
R704	000-10126-400-0	CF RES. 100 J 0.25W T
R13.24.26.30.31.34	000-10206-400-0	CF RES. 1K J 1/8W T
R33.41.43.239.240	000-10306-400-0	CF RES. 10K J 1/8W T
R11.36.209	000-10406-400-0	CF RES. 100K J 1/8W T
R25.27	000-15206-400-0	CF RES. 1K5 J 1/8W T
R701	000-15226-400-0	CF RES. 1K5 J 0.25W T
R14.16	000-22206-400-0	CF RES. 2K2 J 1/8W T
R12	000-22706-400-0	CF RES 2.2 J 1/8W T
R210-212.214-226	000-33106-400-0	CF RES. 330 J 1/8W T
R702	000-33126-400-0	CF RES. 330 J 0.25W T
R703	000-39726-400-0	CF RES 3.9J 1/4W T
R32	000-47406-400-0	CF RES. 470K J 1/8W T
R42	000-47706-400-0	CF RES 4.7 J 1/8W T
R35	000-51106-400-0	CF RES. 510 J 1/8W T
C30	030-10558-0A0-0	E/C 1MF Z 50V 5*11 T
C22.24.25.26.31.34	030-10628-0A0-0	E/C 10MF Z 16V 5*11 T
C9	030-10638-0A0-0	E/C 10MF Z 25V 5*11 T
C702	030-10768-0A0-0	E/C 100MF Z 63V 10*17 T
C13.14.18	030-22638-0A0-0	E/C 22MF Z 25V 5*11 T
C704.707.708.711	030-47638-0A0-0	E/C 47MF Z 25V 6.3*11 T
C709	030-47666-0A0-0	E/C 47MF M 63V T
BC2-11.13.14.C10.11.15.32.35.36.20 2	042-10426-050-0	C/C2 0.1MF M 50V 5 T
C21.23	042-22225-050-0	C/C2 0.0022MF K 50V 5 T
C27.28.29	042-33024-050-0	C/C2 33PF J 50V 5 T
C203	042-33125-050-0	C/C2 330PF K 50V T
CR1.2.D5	090-02000-020-0	DIODE 1N4148 T
Q703	120-00000-800-0	TRAN. 2SC1815 GR TOSHIBA
Q5.6	120-00004-600-0	TRAN. 2SC1740 LN-R ROHM (2SC1313G)
L2.3	382-20025-010-0	TINNER WIRE 25MM D0.6

REVERB CONTROL PCB PART LIST

Ref.	Phonic No.	Specifications
U203	100-02000-080-6	TSEG/LED LDD5062-20 DH
SW201.202	210-02101-040-0	PSH/SW SK12030-0102-4S-NB-3
U201	210-16000-010-0	ENCODER SDB161PVB15.5F-1-4-16-16PC
JP112	212-10023-320-0	2P WAFER/P 60mm UL1007#24 PITCH:2.5
JP109A	212-10100-030-0	10P WAFER/P 120MM
JP109B	212-10120-030-0	12P WAFER/P 120MM
R202-205	000-10306-400-0	CF RES. 10K J 1/8W T
	290-00580-301-0	PCB MM1815X-C REV CONTROL

SMD PCB PART LIST

Ref.	Phonic No.	Specifications
U8	170-00007-000-0	TTL IC 74HC393 SMD
U9	171-00000-220-0	CMOS IC HD74HC04N (SMT)
U207	177-01002-210-0	IC 93C46 SO ST SMD
U3	177-01004-700-0	IC BS62LV1024SC-70 SOP BSI
U4	177-04013-000-0	CHIP ART FX DSP2 84P JAPAN 100-1365-102
U2	177-04022-000-0	IC AK4522A-VF VSOP AKM
	290-00580-204-0	MM1805X DSP PCB REV-D

MISCELLANEOUS ITEMS

Ref.	Phonic No.	Specifications
	000-00116-003-0	PE BAG #3 100*70MM
	210-03204-000-6	POWER/SW 6A 250V 4P 17*12.5
	211-04000-020-0	BNC JACK 91M-701-3P
JP2	212-10032-430-0	3P WAFER/P 200mm UL1015#22 PITCH:3.96
	321-00000-070-0	CABLE TIE HW-100MM
POWER SW*2	379-08101-123-0	M.WIRE UL1015 #22 100MM RED
	510-20790-501-0	PANEL MM1805X
	517-20500-200-0	BOT COVER MM1805(X) PHONIC 429C
	524-60009-020-0	HANDLE SIZE:10*50 COLOR:WHT
	525-60010-000-0	FEET SIZE:20*20*8.0MM SF-006
	529-20022-100-0	LED ACRYLIC LENS 22.6*28.6 POD1860
FOR EFX PATTEN	540-20310-321-0	R/KNOB 430C BODY+491C CAP 13*18H 17MM
AUX*10 EFX*10 2T*1	540-60148-520-0	R/KNOB 12.0 430C(GREY)BODY+WHT CAP
FOR GAIN*6 CTRL*1	540-60148-620-0	R/KNOB 12 430C(GEY)BODY+491C(RED)CAP
FOR EQ*26	540-60148-720-0	R/KNOB 12 430C(GEY)BODY+647C(BLUE)CAP
FOR EQ*6	540-60148-820-0	R/KNOB 12 430C(GEY)BODY+5265C(PURPLE) CAP
FOR PAN*10	540-60148-920-0	R/KNOB 12 430C(GRAY)BODY+432C(DEEP GRAY)CAP
FOR CHANNEL*10 AUX*2 EFX*2	541-60005-020-0	S/KNOB SIZE 23*9.5 WHITE BODY+BLK POINT
FOR GROUP*2	541-60005-120-0	S/KNOB SIZE:23*9.5 431C BODY+WHT LINE
MONO*1 MAIN*1	541-60005-220-0	S/KNOB 432C BODY+WHT POINT SIZE:23*9.5
ALL PUSH SW	542-60090-122-0	P/KNOB 9.5*5.5*8 LOW WHT
	551-20057-500-0	LF/BRKT SPCC 1.0MM 429C
	551-20058-500-0	RT/BRKT MM1805(X) SPCC 1.0MM

MISCELLANEOUS ITEMS

Ref.	Phonic No.	Specifications
	551-60037-100-0	L/BRACKET ER18MM
	551-60038-100-0	R/BRACKET ER18MM
	560-20890-101-0	CARTON MM1805X SIZE: 570*535*550MM
	561-21121-100-0	G/B 510*135*515 300g
	565-60052-001-0	R/POLYLON MR1843X
	565-60053-001-0	L/POLYLON MR1843X
	565-60054-000-0	ADAPTOR/POLYLON MM1805(X)
	565-60059-000-0	L/PANEL POLYLON
PAD ON HEATSINK BOTTOM FOR OWN MANU*1	566-10015-010-0	SPONGE 40*10*5
	568-00003-000-0	PE BAG #10 240*340*0.05
	568-60003-100-0	PE BAG SIZE:600*450*0.05MM
	568-60046-000-0	BRACKET BAG
	572-00000-050-0	DRYER 5g
	573-10063-012-0	M.I.C LABEL 50*10MM
	573-60240-000-0	BAR CODE LABEL PHONIC
	573-60343-000-0	LABEL BLUE D=8mm
	573-60415-000-0	DSP LABEL MM1805X DFX256
	574-00580-114-0	OWN. MNAU. MM1805/1805X
	579-00000-068-0	MINI CATALOG PHONIC SERIES
FIX R/L BRACKET*12	590-03006-100-0	M/E FLT SCR. M3.0*6 NI
PANEL*3	590-03008-100-0	M/E FLT SCR. M3.0*8 NI
PANEL*12 (LEFT)	590-03008-200-0	M/E FLT SCR. M3.0*8 BLK D=6
PCB&間隔柱*15	590-43008-100-0	M/E PAN SCR. M3.0*8 NI
FIX BOT COV&HEAT SINK*2	590-44008-100-0	M/E PAN SCR M4.0*8 NI
BOT COV*10 REVER PCB*1	590-53006-100-0	M/E SET SCR. M3.0*6 NI
	590-54006-100-0	M/E SET SCR. M4*6 NI
XLR/J*12	591-03008-200-0	T/P FLT SCR. D3.0*8 BLK
FIX RCA/J*2	591-43008-200-0	T/P PAN SCR. D3.0*8 BLK
固定麥拉&REVERB PCB*1	600-00302-010-0	HEX. NUT M3.0*2.0 NI
PCB&間隔柱*15	610-00301-018-0	FIBER WAS. D3.0*8*1
HEAT SINK&BOT COV.	610-00402-018-0	FIBER WAS D4.0*D9.0*2.0 RED
ALL 6D3/J*42	610-20901-001-0	TOOTH WAS D9*12*1 NI
PANNEL& MAIN PCB*15	615-20088-620-0	SPACER SUPPORT H-16
MAIN PCB&REVERB CONTROL PCB*3	615-20098-620-0	BOSS MCD2-5
MAIN PCB& DIGITAL BOARD*5	615-60038-620-0	MCB-6 PCB BOSS

MISCELLANEOUS ITEMS

Ref.	Phonic No.	Specifications
	630-20040-410-0	PCB INSU 252.2*103MM
REVERB CONTROL PCB*1	630-20042-410-0	PCB INSU 54.9*51.3MM
SLD/VR (45MM)*4	631-10026-000-0	HEMELON 65*16*0.1MM
SW**3	631-10027-000-0	HEMELON 24*12
SLD/VR 60MM*14	631-20026-000-0	HEMELON 80*15
ALL LED*22	631-20029-000-0	HEMELON 10*10
EQ VR*7	631-20032-000-0	HEMELON 36*10MM
MASTER LED	631-20033-000-0	HEMELON 85*22
SW*25	631-20034-000-0	HEMELON 17*12MM
	510-20790-501-F	PANE MM1805X
	517-20500-200-F	BOT COV MM1805/X/XII MR1843
	551-20057-500-F	LF/BRKT MM1805/X/XII MR1843
	551-20058-500-F	RT/BRKT MM1805/X/XII MR1843
	551-60037-100-F	L/BRKT ER18 MM1805/1805/X/XII MR1843
	551-60038-100-F	R/BRKT ER18 MM1805/X/XII MR1843

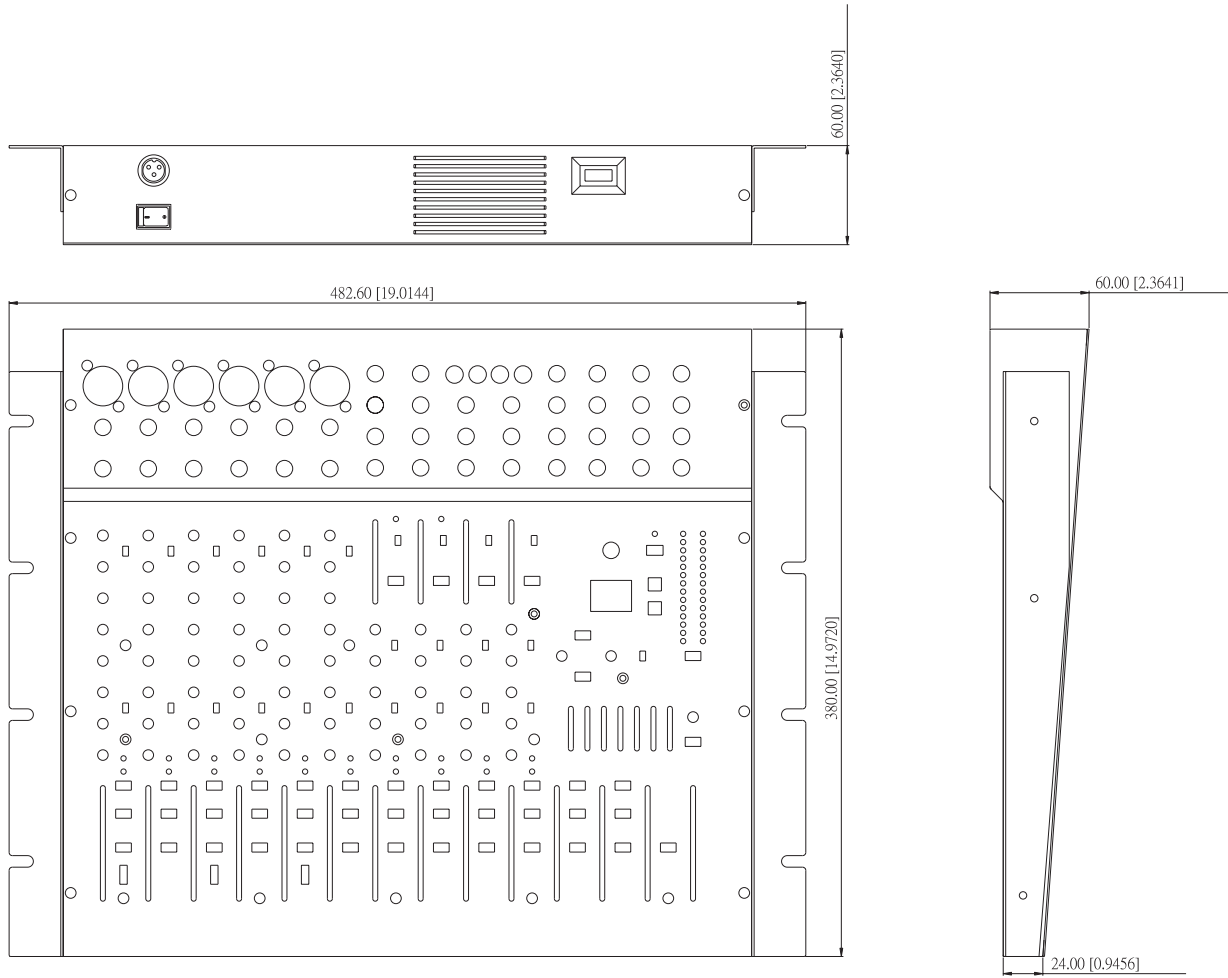
POWER REQUIREMENT CLASSIFICATION

Ref.	Phonic No.	Specifications
<u>BS</u>		
F701.702	280-20263-000-0	FUSE T2A 250V VDE S
	353-21906-000-0	ADAPTOR MM1805X AC240V BS
	573-10032-010-0	POWER LABEL (ONLY USED IN BS)
	573-60012-010-0	LAB
	573-60013-000-0	"CE" LABEL
<u>IEC</u>		
F701.702	280-20263-000-0	FUSE T2A 250V VDE S
	353-21904-000-0	ADAPTOR MM1805X AC230V IEC
	573-60012-010-0	LABEL
	573-60013-000-0	"CE" LABEL
<u>JIS</u>		
	280-2026B-001-0	FUSE 2A 250V UL/CSA/JIS S
	353-21901-100-0	ADAPTOR MM1805X AC100V JIS
<u>SA</u>		
F701.702	280-20263-000-0	FUSE T2A 250V VDE S
	353-21907-000-0	ADAPTOR MM1805X AC240V SA
	573-60012-010-0	LABEL
	573-60013-000-0	"CE" LABEL
<u>SAA</u>		
F701.702	280-20263-000-0	FUSE T2A 250V VDE S
	353-21909-000-0	ADAPTOR MM1805X AC240V SAA
	573-60012-010-0	LABEL
	573-60013-000-0	"CE" LABEL
<u>UL</u>		
F701.702	280-2026B-001-0	FUSE 2A 250V UL/CSA/JIS S
	353-21901-000-0	ADAPTOR AC120V(UL)

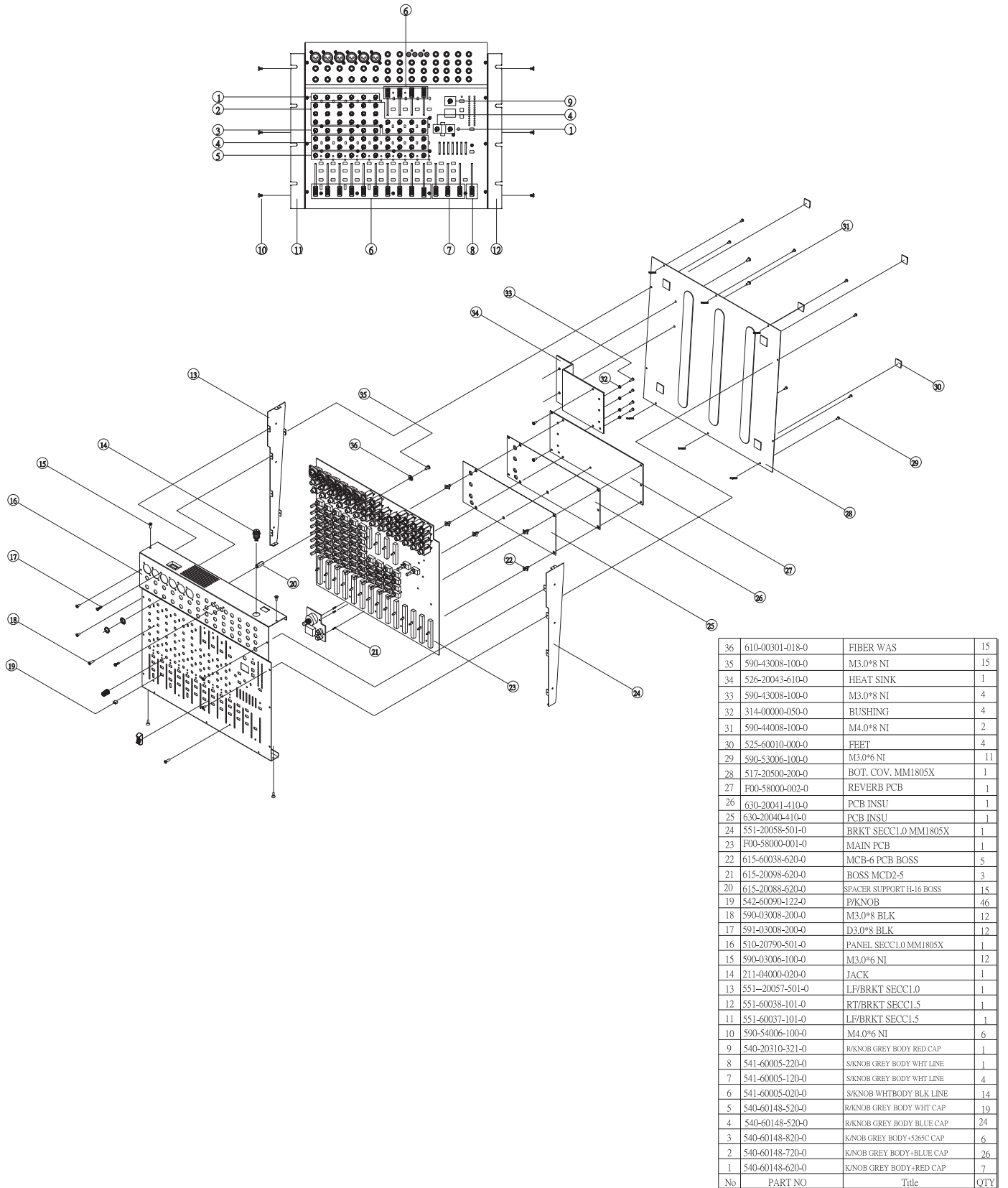
IC LIST

Ref.	Phonic	Specifications	Supplier
IC407.408	160-00002-300-0	IC M5229P MITSUBISHI	http://www.mitsubishichips.com/common/cfm/eContentDriver.cfm
IC101-119.201-212.301-305.401-406.409.410.501-508.601.602.604.606	160-00007-510-0	IC NJM2068L JRC	http://www.njr.com
IC605	160-00018-000-0	IC NJM4556AL JRC	http://www.njr.com
IC611	160-00018-200-0	IC BA6822S	http://www.njr.com
IC703	160-00002-904-0	IC 7915 NS	http://www.onsemi.com/home
IC701	160-00004-114-0	IC UPC7805H NEC (KIA)	http://www.national.com
IC702	160-00005-002-0	IC 7815 NS	http://www.onsemi.com/home
U208	170-00001-030-0	TTL IC DM74LS244 DIP FAIRCHILD	http://www.semiconductors.philips.com/
U204.205.206	170-00005-000-0	TTL IC DM74LS373 DIP FAIRCHILD	http://www.semiconductors.philips.com/
U7	171-00002-800-0	CMOS IC PC74HC30P	http://www.njr.com/
U6	171-00002-900-0	CMOS IC PC74HC374P	http://www.njr.com/
U202	177-00001-520-0	CPU IC DIP PIC16C54C-RC	http://www.njr.com/
U5	177-01003-510-0	IC M27C512-12 SINGAPORE WINBOND	http://www.njr.com/
U8	170-00007-000-0	TTL IC 74HC393 SMD	http://www.njr.com/
U9	171-00000-220-0	CMOS IC HD74HC04N (SMT)	http://www.rohm.com/
U207	177-01002-210-0	IC 93C46 SO ST SMD	http://www.semiconductors.philips.com/
U3	177-01004-700-0	IC BS62LV1024SC-70 SOP BSI	http://www.njr.com/

DIMENSIONS



EXPLODED VIEW



36	610-00301-018-0	FIBER WAS	15
35	590-43008-100-0	M3.0*8 NI	15
34	526-20043-610-0	HEAT SINK	1
33	590-43008-100-0	M3.0*8 NI	4
32	314-00000-050-0	BUSHING	4
31	590-44008-100-0	M4.0*8 NI	2
30	525-60010-000-0	FEET	4
29	590-53006-100-0	M3.0*6 NI	11
28	517-20500-200-0	BOT. COV. MM1805X	1
27	F00-58000-002-0	REVERB PCB	1
26	630-20041-410-0	PCB INSU	1
25	630-20040-410-0	PCB INSU	1
24	551-20058-501-0	BRKT SECC1.0 MM1805X	1
23	F00-58000-001-0	MAIN PCB	1
22	615-60038-620-0	MCB-6 PCB BOSS	5
21	615-20098-620-0	BOSS MCD2-5	3
20	615-20088-620-0	SPACER SUPPORT H-16 BOSS	15
19	542-60090-122-0	P/KNOB	46
18	590-03008-200-0	M3.0*8 BLK	12
17	591-03008-200-0	D3.0*8 BLK	12
16	510-20790-501-0	PANEL SECC1.0 MM1805X	1
15	590-03006-100-0	M3.0*6 NI	12
14	211-04000-020-0	JACK	1
13	551-20057-501-0	LF/BRKT SECC1.0	1
12	551-60038-101-0	RT/BRKT SECC1.5	1
11	551-60037-101-0	LF/BRKT SECC1.5	1
10	590-54006-100-0	M4.0*6 NI	6
9	540-20310-321-0	R/KNOB GREY BODY RED CAP	1
8	541-60005-220-0	S/KNOB GREY BODY WHT LINE	1
7	541-60005-120-0	S/KNOB GREY BODY WHT LINE	4
6	541-60005-020-0	S/KNOB WHTBODY BLK LINE	14
5	540-60148-520-0	R/KNOB GREY BODY WHT CAP	19
4	540-60148-520-0	R/KNOB GREY BODY BLUE CAP	24
3	540-60148-820-0	KNOB GREY BODY+526SC CAP	6
2	540-60148-720-0	KNOB GREY BODY+BLUE CAP	26
1	540-60148-620-0	KNOB GREY BODY+RED CAP	7
No	PART NO	Title	QTY

PHONIC
WWW.PHONIC.COM