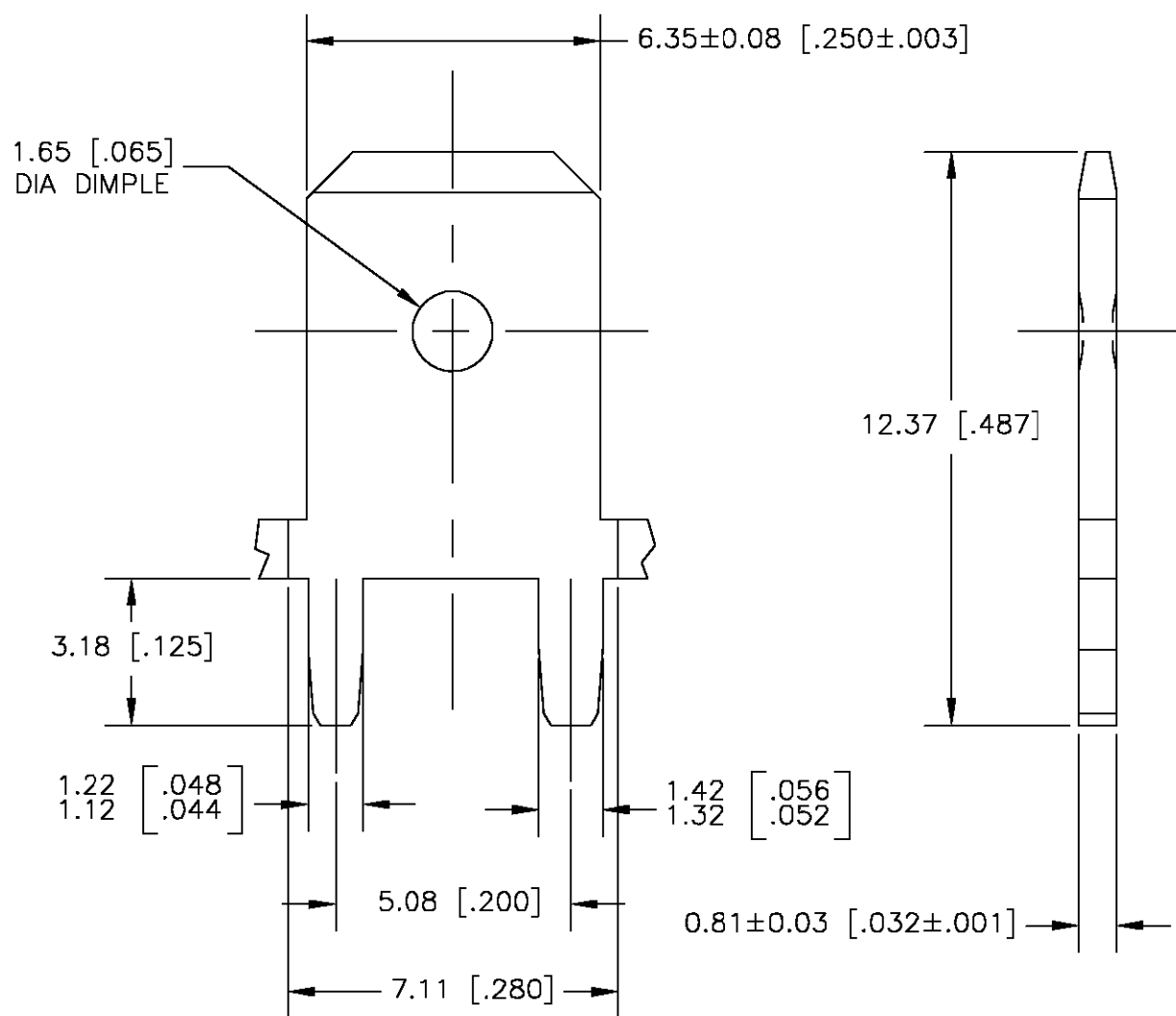


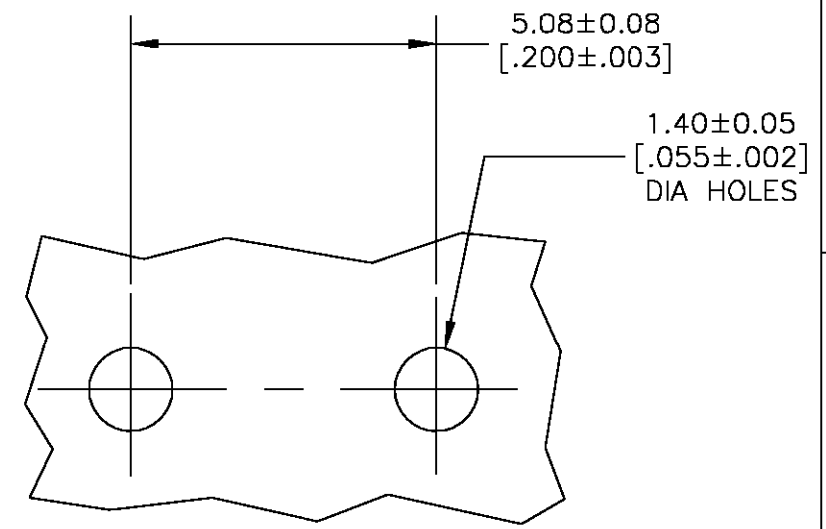
4 3 2 1

THIS DRAWING IS UNPUBLISHED. RELEASED FOR PUBLICATION  
 © COPYRIGHT BY TYCO ELECTRONICS CORPORATION. ALL RIGHTS RESERVED.

LOC	DIST	REVISIONS			
P	LTR	DESCRIPTION	DATE	DWN	APVD
AF	50	G	REDRAWN PER OG3A-0761-00	30NOV00	JR GP



1 CONTINUOUS STRIP ON REELS.  
 2 0.00381 [.000150] MIN TIN OVER  
 0.00254 [.000100] MIN THK COPPER.



P.C. BOARD HOLES  
 SCALE 10:1

62650-1  
 PART NUMBER

THIS DRAWING IS A CONTROLLED DOCUMENT.		DWN JR RUTH 30NOV00	AMP Tyco Electronics Corporation Harrisburg, PA 17105	
DIMENSIONS: MM [INCHES]		CHK MS FEHER 30NOV00	NAME TAB, FASTON, PC BOARD, 6.35 [.250] SERIES	
TOLERANCES UNLESS OTHERWISE SPECIFIED: 0 PLC ± - 1 PLC ± - 2 PLC ± 0.38 [.015] 3 PLC ± - 4 PLC ± - ANGLES ± -		APVD G PORTA 30NOV00	PRODUCT SPEC -	
MATERIAL 082 BRASS		APPLICATION SPEC 114-2112	SIZE A3	CAGE CODE 00779
FINISH TIN OVER COPPER		WEIGHT -	DRAWING NO C-62650	RESTRICTED TO -
CUSTOMER DRAWING			SCALE 8:1	SHEET 1 OF 1
			REV G	