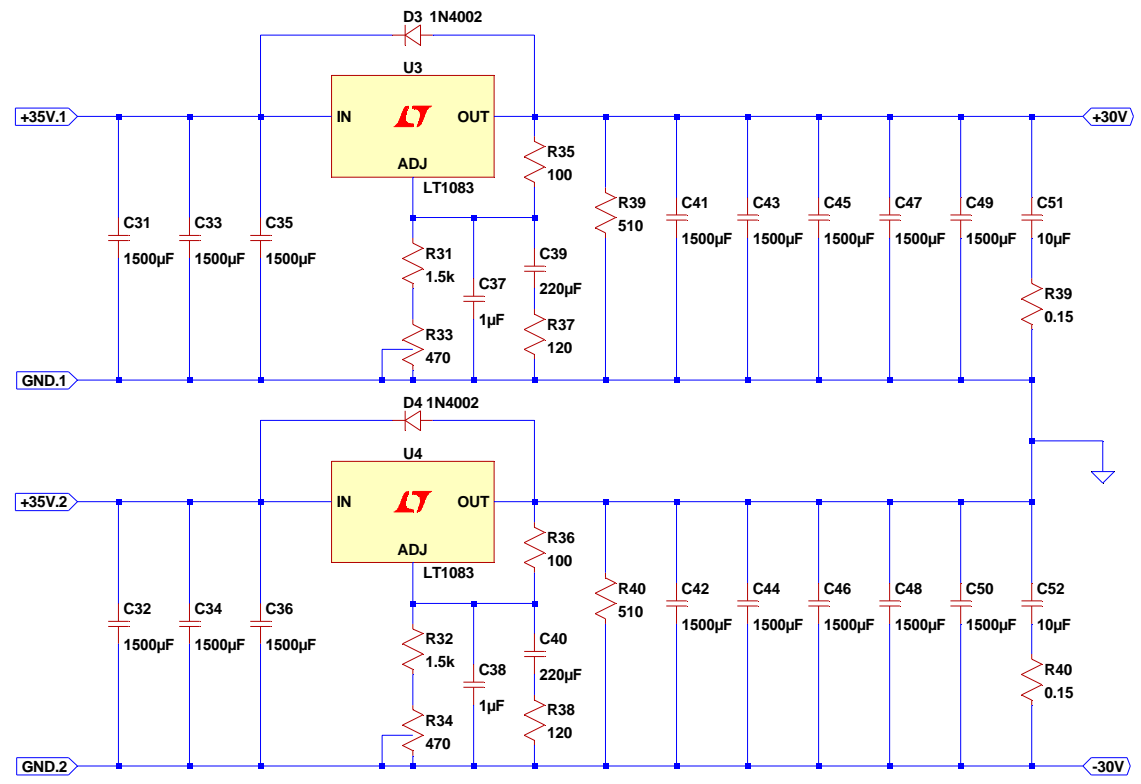
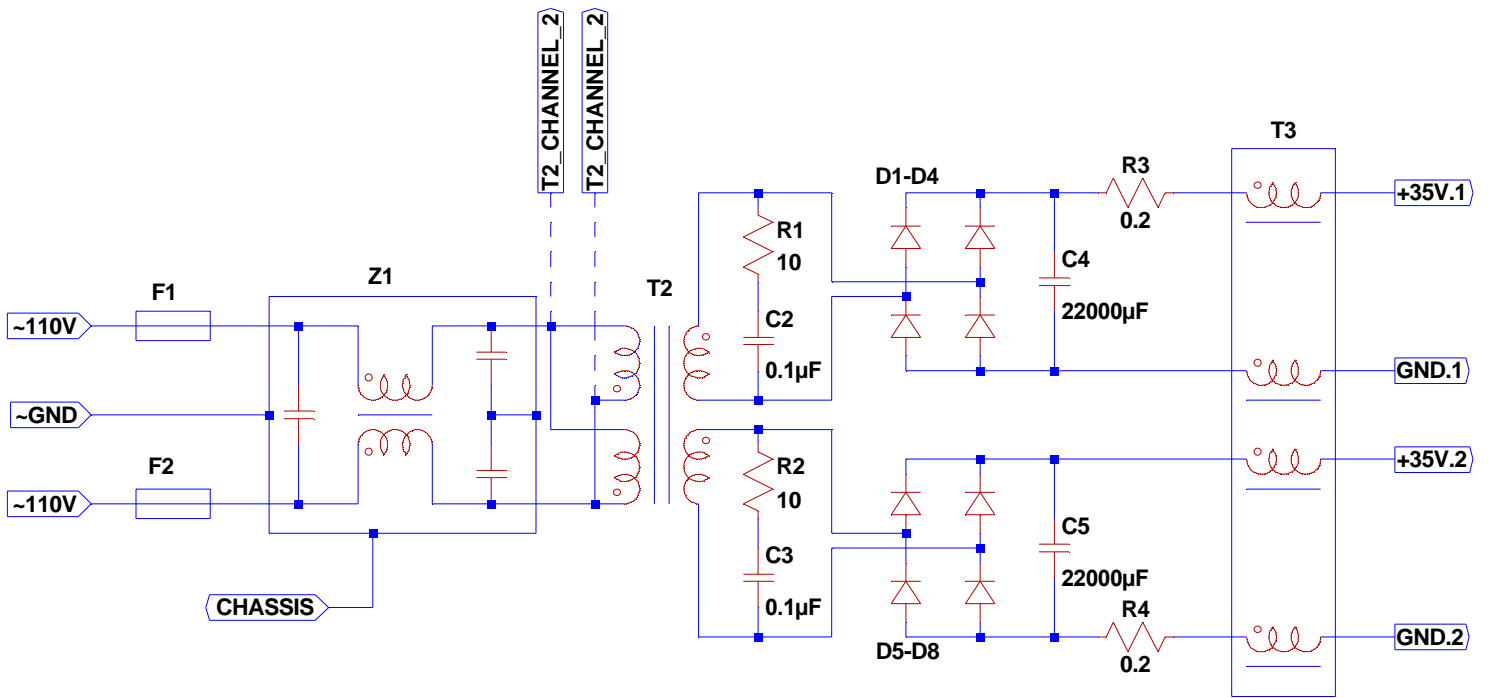


C1 should be adjusted for minimum level of 20kHz on U1 output.

R17, C11, R39, C51, R40, C52 are optional.





Zero D Amp Rev. D4

Integrated circuits

LT1083CP		2	4 Linear	www.digikey.com	LT1083CP-ND
LM3886TF		1	2 National	www.digikey.com	LM3886TF-ND
AD8065AR		1	2 Analog Devices	www.digikey.com	AD8065ARZ-ND

Capacitors

390pF	50V	2	4 Panasonic	www.digikey.com	PCC391CGCT-ND	
47pF	50V	3	6 Panasonic	www.digikey.com	PCC470CGCT-ND	
5pF	50V	2	4 Panasonic	www.digikey.com	PCC050CNCT-ND	
10pF	100V	2	4 Panasonic	www.digikey.com	PCC1971CT-ND	
15pF	50V	2	4 Panasonic	www.digikey.com	PCC150CNCT-ND	
100pF	50V	1	2 Panasonic	www.digikey.com	PCC101CGCT-ND	
2.2uF	100V	1	2 Panasonic	www.digikey.com	587-1778-1-ND	
10uF	16V	3	6 Panasonic	www.digikey.com	587-1295-1-ND	
10uF	35V	2	4 Panasonic	www.digikey.com	587-1439-1-ND	
1500uF	35V	16	32 Panasonic	www.digikey.com	P12409-ND	
220uF	35V	6	12 Panasonic	www.digikey.com	P12411-ND	
1uF	35V	2	4 Panasonic	www.digikey.com	495-2470-ND	
22000uF	35V	40x50	2	4 Panasonic	www.digikey.com	P10632-ND

Resistors

2K00	0805	2	4 Susumi	www.digikey.com	RR12P2.0KDCT-ND
4K02	0805	1	2 Susumi	www.digikey.com	RR12P4.02KDCT-ND
33	0805	2	4 Susumi	www.digikey.com	RP20S33FCT-ND
220	0805	1	2 Susumi	www.digikey.com	RR12P220DCT-ND
33K	0805	1	2 Susumi	www.digikey.com	RR12P33.0KDCT-ND
40K2	0805	2	4 Susumi	www.digikey.com	RR12P40.2KDCT-ND
1K5	0805	1	2 Susumi	www.digikey.com	RR12P1.5KDCT-ND
3K3	0805	3	6 Susumi	www.digikey.com	RR12P3.3KDCT-ND
150	0805	1	2 Susumi	www.digikey.com	RR12P150DCT-ND
510	0805	1	2 Susumi	www.digikey.com	RR12P510DCT-ND
80K6	0805	1	2 Susumi	www.digikey.com	RR12P80.6KDCT-ND
0.2R	0805	1	2 Susumi	www.digikey.com	RL12S.20GCT-ND
1.0R	0805	2	4 Susumi	www.digikey.com	RP20T1.0FCT-ND
4K7	0805	1	2 Susumi	www.digikey.com	RR12P4.7KDCT-ND
1K	1206	2	4 Vishay	www.digikey.com	541-1.00KFCT-ND
510	1206	2	4 Vishay	www.digikey.com	541-510FCT-ND
470	Trim	2	4 Bourns	www.digikey.com	3299W-501LF-ND
1K5	2512	2	4 Vishay	www.digikey.com	541-1.5KXCT-ND
120	0805	2	4 Susumi	www.digikey.com	RR12P120DCT-ND
100	0805	2	4 Susumi	www.digikey.com	RR12P100DCT-ND
0.15	0805	2	4 Susumi	www.digikey.com	RL12S.15GCT-ND
510	2W	2	4 Vishay	www.digikey.com	PPC510W-2CT-ND
10	2W	1	2 Vishay	www.digikey.com	PPC10W-2CT-ND

Zeners

FLZ12VACT	12V	2	4 Fairchild	www.digikey.com	FLZ12VACT-ND
-----------	-----	---	-------------	--	------------------------------

Diodes

MBRB20100CT	Shottky	8	16 OnSemi	www.digikey.com	MBRB20100CT
ES3B-E3	Shottky	2	4 Vishay	www.digikey.com	ES3B-E3/F57TGICT-ND

Transformers

120W 2x24V		1	2 Block	www.farnell.com	BLOCK-RK120-25
------------	--	---	---------	--	--------------------------------

Connectors

Binding Posts		4	1 Cardas	www.partsconnexion.com	CARDAS-53459
RCA		2	1 Cardas	www.partsconnexion.com	CARDAS-53446
IEC Inlet		1	1 Tyco	www.digikey.com	CCM1694-ND

Misc

SIL PAD		1	1 Bergquist	www.farnell.com	SPA1500-0.010-00-4/4
---------	--	---	-------------	--	--------------------------------------

To Be Defined

Bolts, PCB, Aluminum Bars, FrontPanelExpress, Button On/Off, LED, Magnet wire, Wire

Case

Aluminum Rect. Bar	10x10mm	1	1	www.mcmaster.com	8975K792
HEATSINK		1	2 Multi-sourced	www.soanarplus.com	HH8546