

6 K2P (Kit 165 K2P / 165 K3P)

6" K2 Power® woofer



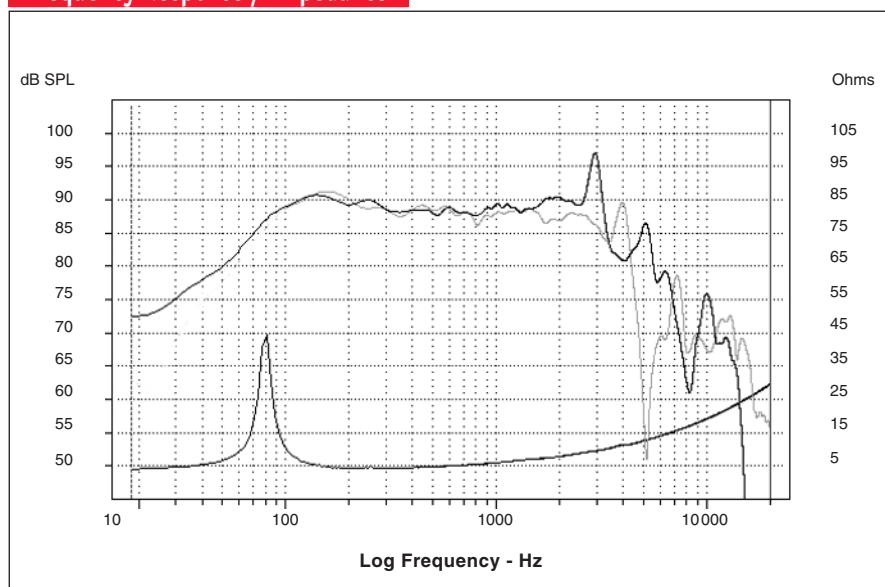
- High power handling
- Zamak basket
- Aluminium phase plug



Specifications

Nominal power	100 W	
Maximum power	200 W	
Sensitivity	92.5 dB	
Cone	K2 Composite Sandwich®	
Surround	Butyl	
Nom. impedance	4 ohms	
DC resistance	3.6 ohms	
VC diameter	40 mm	1.57 in
VC height	17 mm	0.67 in
Former	Kapton®	
Layers	2	
Wire	aluminium	
Inductance	0.62 mH	
Xmax	5.5 mm	0.21 in
Magnet d x h	100 x 18 mm	4 x 0.70 in
Magnet weight	564 g	1.24lb
Flux density	1.1 T	
Gap height	6 mm	0.23 in
Net weight	1.6 kg	3.52 lb

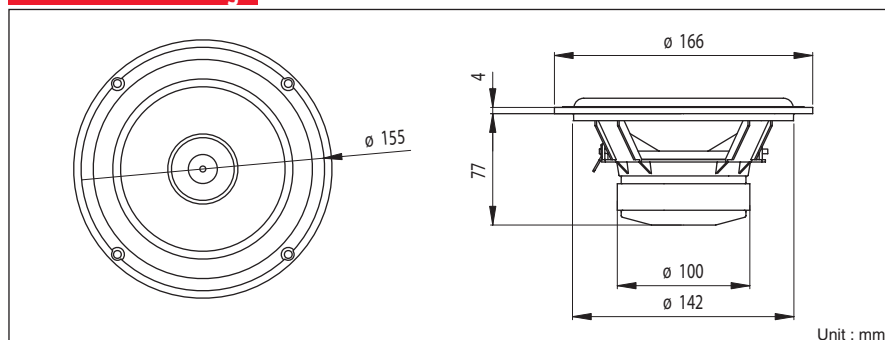
Frequency Response / Impedance



Parameters

Fs	78.36 Hz	
Vas	8.07 l	0.28 Ft ³
Qts	0.658	
Qes	0.71	
Qms	8.9	
Re	3.6 ohms	
Sd	132.73 cm ²	20.57 in ²
Cas	5.75E-08 m ⁵ /N	
Mas	71.8 kg/m ⁴	
Ras	3972.11 ohms.ac	
Cms	3.26E-4 m/N	
Mms	12.65 g	0.027 lb
Rms	700 g/s	
Ces	400.57 mF	
Les	10.3 mH	
Res	45.13 ohms	
BI	5.6 N/A	
SPL	89.22 dB/W/m	

Mechanical Drawing



©Focal-JMLab - SC030519/1

Suggested application

Load	V (l)	Fb (Hz)	F-3 (Hz)	Ql
Sealed	30	-	83	7
Vented	-	-	-	-
Sealed	-	-	-	-

Focal® is a trademark of Focal-JMLab®