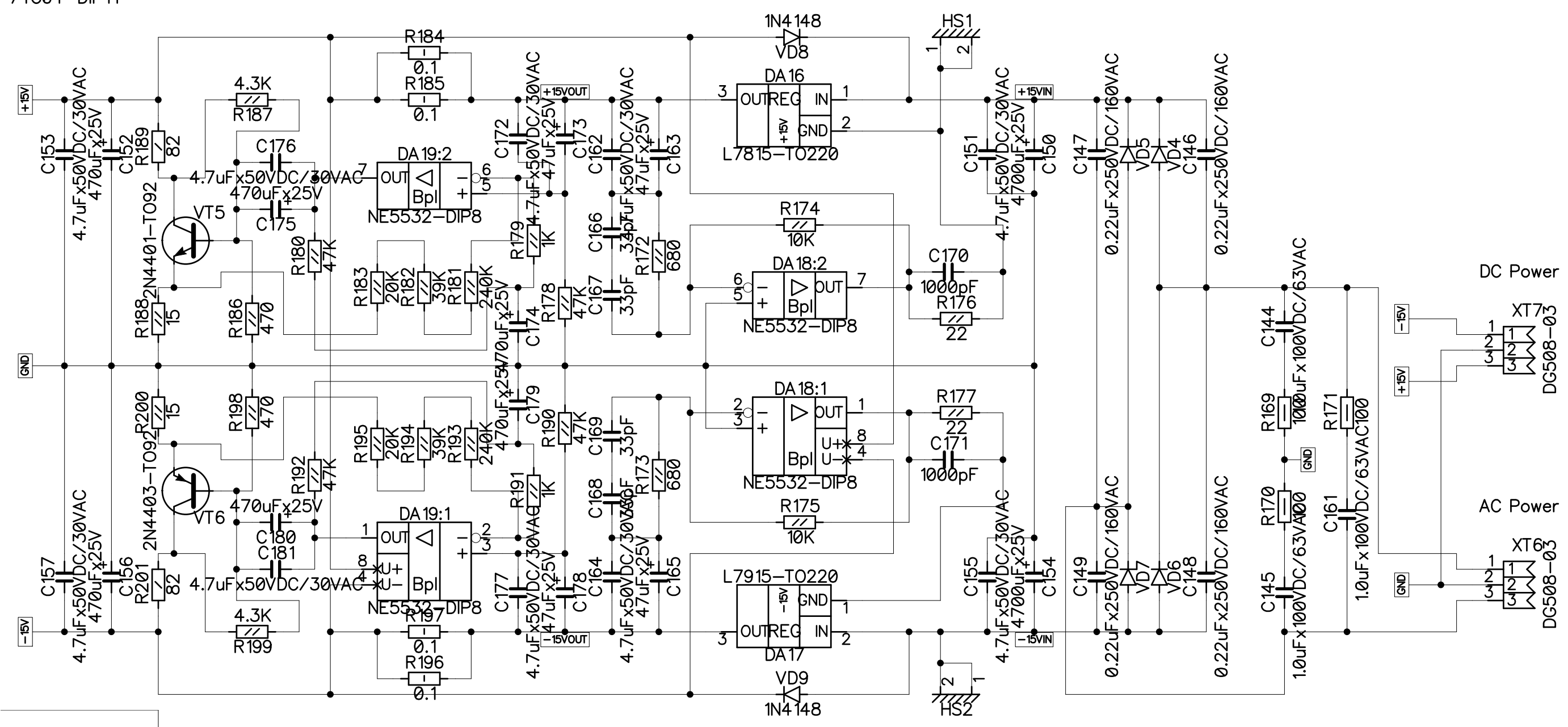


DD2:3
5 1 6
74C04-DIP14



C102
0.1uF x 63VDC / 40VAC
47uF x 25V

Ku=2

NB

DC Power

AC Power

XT73
DG508-03

XT63
DG508-03