



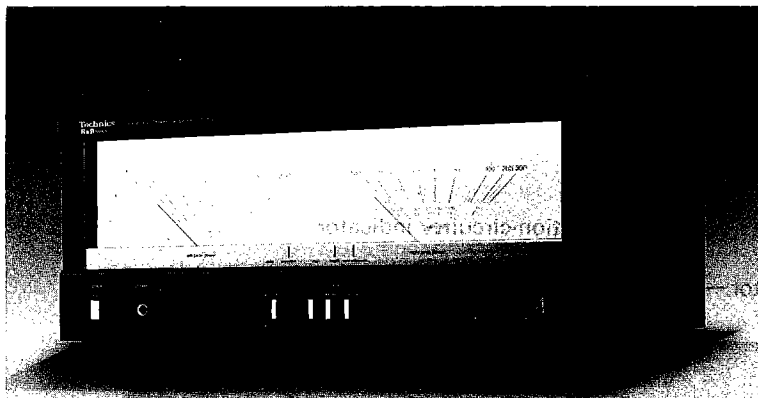
For more Hi-Fi manuals and set-up information  
please visit [www.hifiengine.com](http://www.hifiengine.com)

# Service Manual

Stereo DC Power Amplifier

## SE-A3K

[M], [MC]



### Areas

- \* [M] is available in U.S.A.
- \* [MC] is available in Canada.

**TECHNICAL SPECIFICATIONS** Specifications are subject to change without notice for further improvement.

(IHF '78)

### ■ AMPLIFIER SECTION

#### Rated minimum sine wave RMS power output

20 Hz~20 kHz both channels driven

0.002% total harmonic distortion

200W per channel (8 ohms)

20 Hz~20 kHz both channels driven

0.003% total harmonic distortion

320W per channel (4 ohms)

#### 1 kHz continuous power output

both channels driven

0.001% total harmonic distortion

220W per channel (8 ohms)

0.003% total harmonic distortion

350W per channel (4 ohms)

#### Dynamic headroom

1.1 dB (8 ohms)

1.8 dB (4 ohms)

#### Total harmonic distortion

rated power at 20 Hz~20 kHz

0.002% (8 ohms)

half power at 20 Hz~20 kHz

0.001% (8 ohms)

half power at 1 kHz

0.0003% (8 ohms)

#### SMPTE intermodulation distortion

0.002% (8 ohms)

#### TIM (Transient Intermodulation Distortion)

unmeasurably small

#### Frequency response

+0 dB, -0.1 dB (DC~20 kHz)

DC~300 kHz, (+0 dB, -3 dB)

#### Input sensitivity

70 mV (1V, IHF '66)

#### S/N (IHF, A)

100 dB (123 dB, IHF '66)

#### Input impedance

47 kilohms

#### Low frequency damping factor

200 (8 ohms)

100 (4 ohms)

#### Load impedance

MAIN or REMOTE

4~16 ohms

MAIN and REMOTE

8~16 ohms

#### Meter

reading range

0.0001 W~300 W (8 ohms)

-60 dB~+5 dB

(logarithmic compression)

#### frequency response (reading accuracy)

10 Hz~20 kHz  $\pm 1$  dB (more than -40 dB)10 Hz~10 kHz  $\pm 1$  dB (less than -40 dB)

attack time

50  $\mu$ sec.

recovery time

750 msec. (0 dB~-20 dB)

### ■ GENERAL

#### Power consumption

1150W, 1400 VA

#### Power supply

AC 120V, 60 Hz

#### Dimensions (W×H×D)

430 × 208 × 507 mm

(16-15/16" × 8-3/16" × 19-31/32")

#### Weight

35.2 kg

(78.3 lb.)

#### Note:

Total harmonic distortion is measured by the digital spectrum analyzer (H.P. 3045 system).

**Technics**  
R&B series

Panasonic Company  
Division of Matsushita Electric  
Corporation of America  
One Panasonic Way, Secaucus,  
New Jersey 07094

Panasonic Hawaii, Inc.  
320 Waiakamilo Road, Honolulu,  
Hawaii 96817

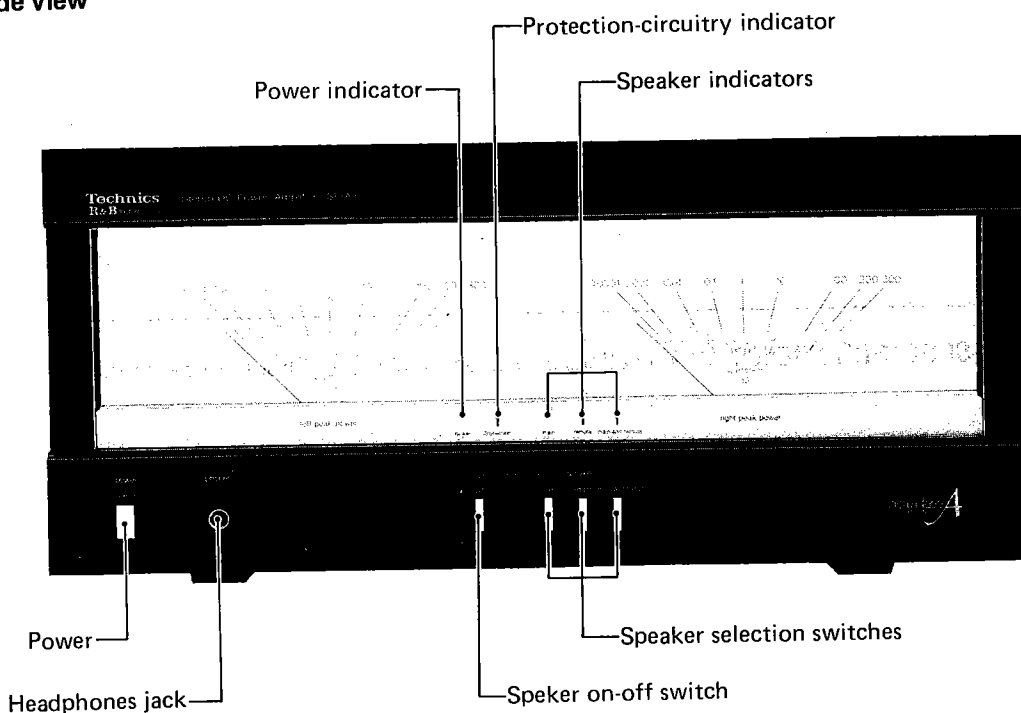
Panasonic Canada  
Division of Matsushita Electric,  
of Canada Ltd.  
5770 Ambler Drive,  
Mississauga, Ontario L4W 2T3

## CONTENTS

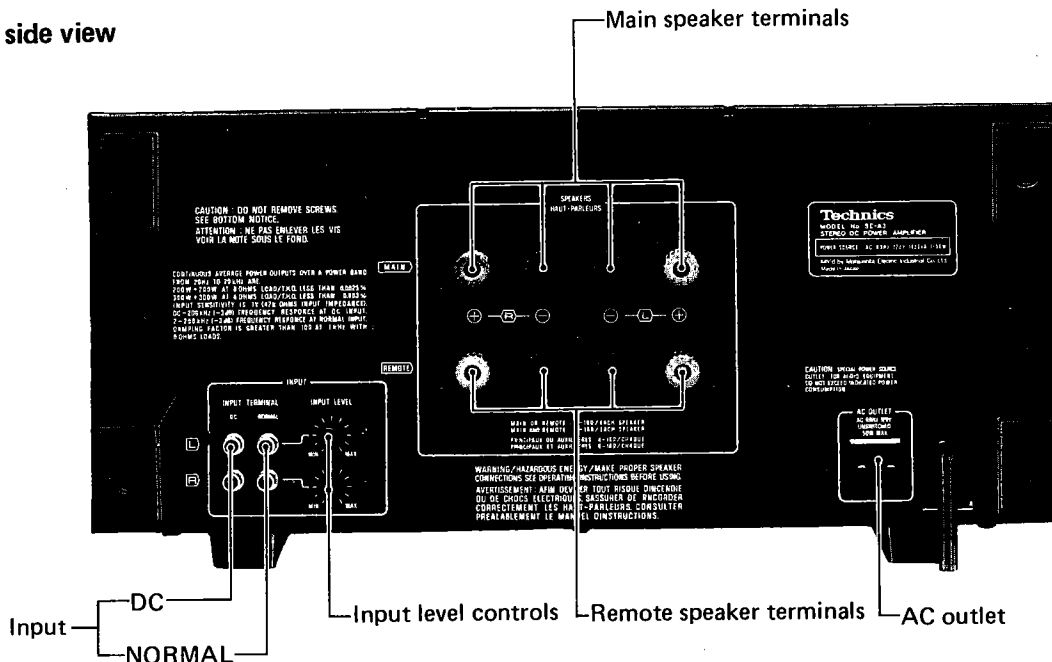
	Page		Page
LOCATION OF CONTROLS . . . . .	2, 3	PRINTED CIRCUIT BOARD . . . . .	11 ~ 16
DISASSEMBLY INSTRUCTIONS . . . . .	4, 5	TERMINAL GUIDE OF TRANSISTORS AND IC'S . . . . .	16
ADJUSTING INSTRUCTIONS . . . . .	6	RESISTOR AND CAPACITOR PARTS LIST . . . . .	17
ADJUSTING POINTS . . . . .	7	BLOCK DIAGRAM . . . . .	18
PROTECTION CIRCUITRY INDICATOR . . . . .	8	SCHEMATIC DIAGRAM . . . . .	19, 20
HOW TO PREPARE LEAD-CONNECTOR SOCKETS . . . . .	9	EXPLODED VIEW . . . . .	21 ~ 23
PRECAUTIONS FOR CONNECTIONS . . . . .	9	REPLACEMENT PARTS LIST . . . . .	
REPLACEMENT PARTS LIST (Electric Parts) . . . . .	9, 10	(Cabinet and Chassis Parts) . . . . .	23

## LOCATION OF CONTROLS

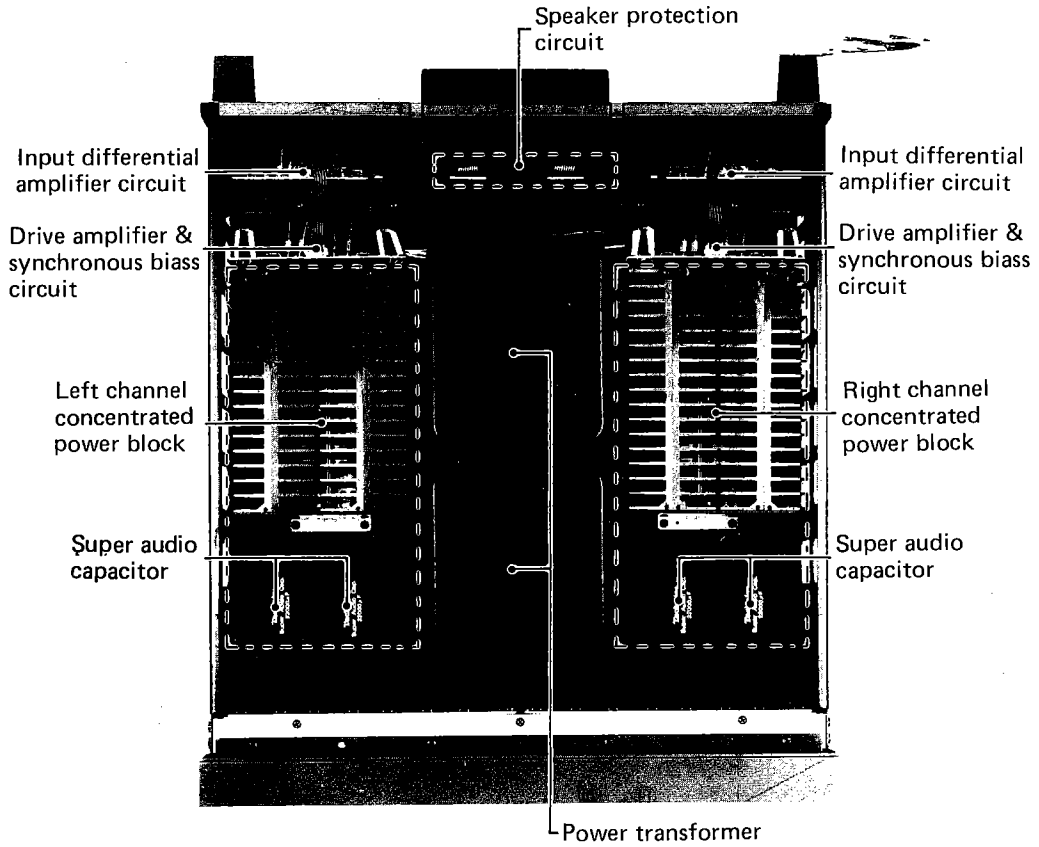
### • Front side view



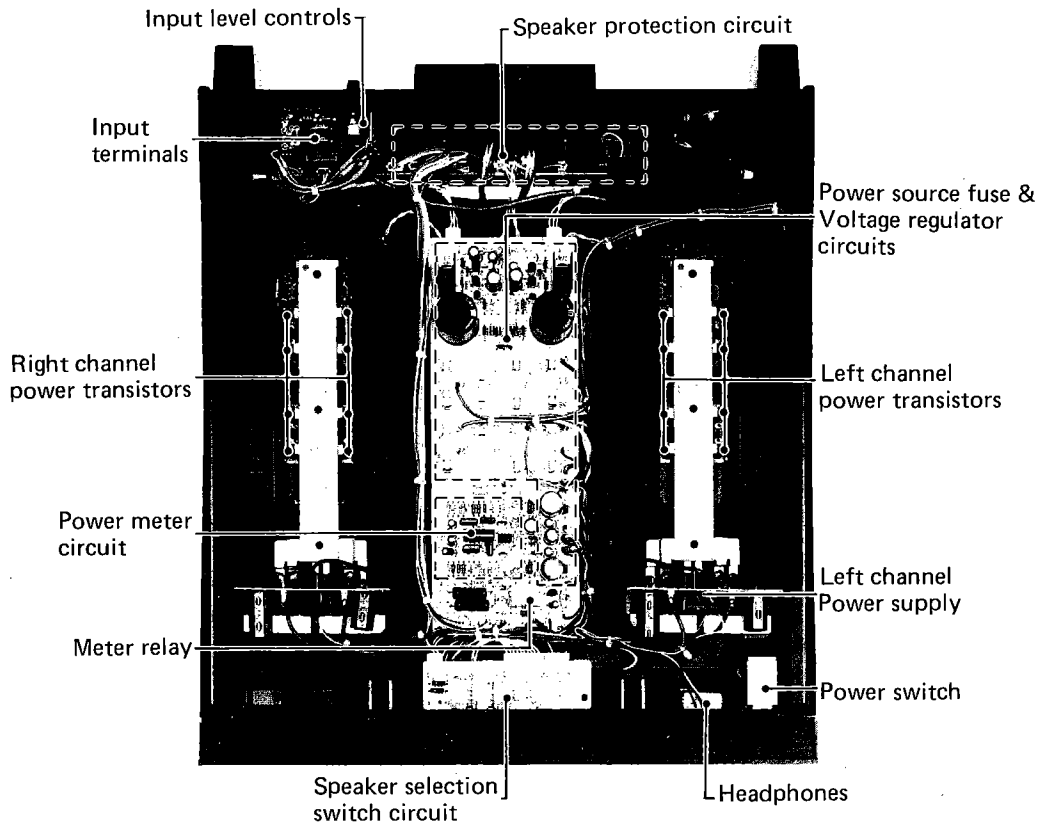
### • Rear side view



• **Top view**



• **Bottom view**



## DISASSEMBLY INSTRUCTIONS

### How to remove the cabinet

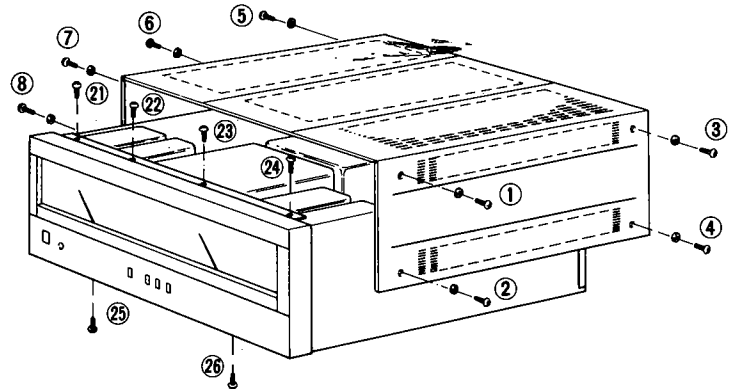
Remove the 8 setscrews (① ~ ⑧) in Fig. 1 on the side of the cabinet, and then the cabinet can be removed.

### How to remove the bottom board

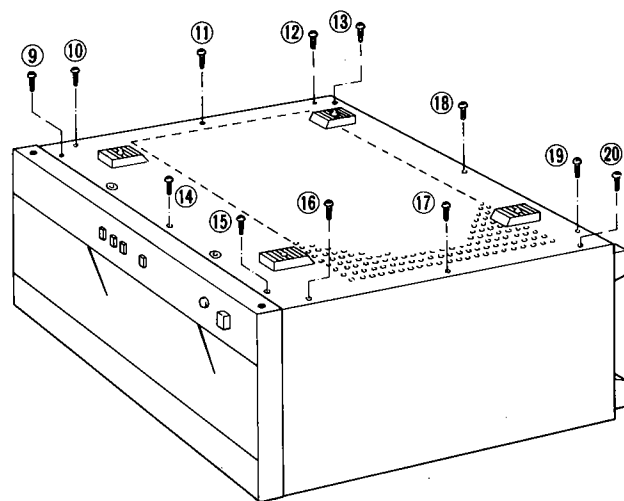
Remove the 12 setscrews (⑨ ~ ⑳) in Fig. 2 to remove the bottom board.

### How to remove the front panel

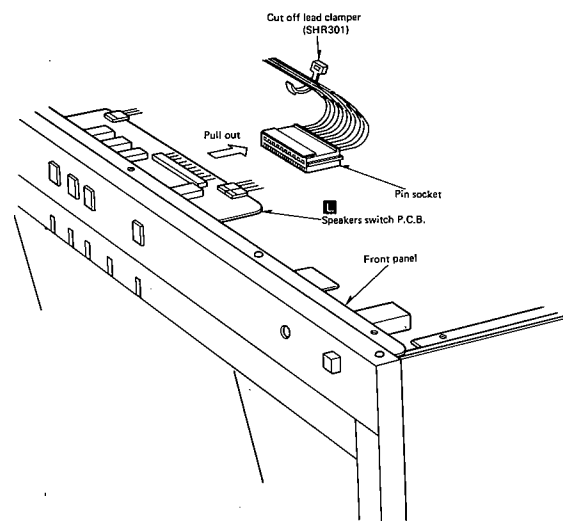
1. Remove the cabinet and bottom board. (Refer to "How to remove the cabinet" and "How to remove the bottom board".)
2. Pull out the pin socket of **L** printed circuit board (Speaker selection switch and indicator circuits) [Fig. 3].
3. Remove the 6 setscrews (㉑ ~ ㉒) in Fig. 1 of the front panel.



[Fig. 1]



[Fig. 2]



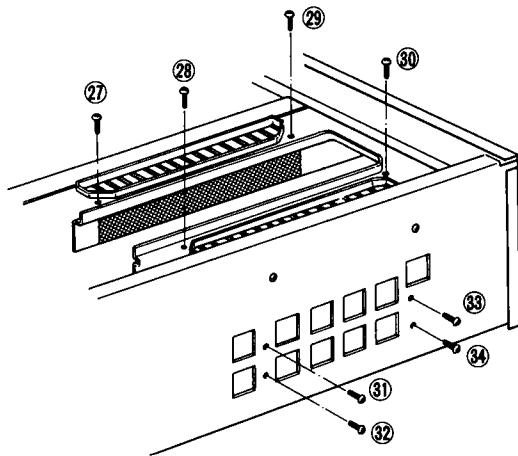
[Fig. 3]

### How to remove the power transistor

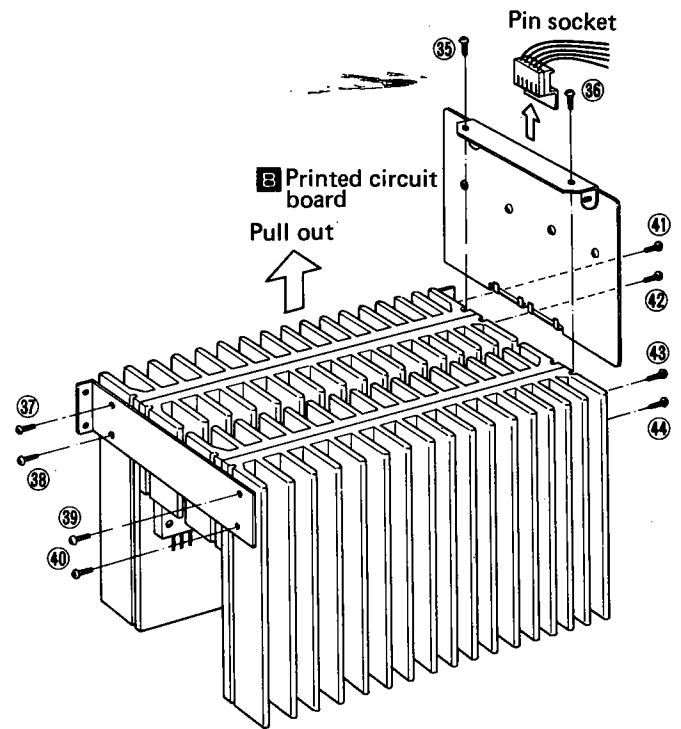
1. Remove the cabinet and bottom board. (Refer to "How to remove the cabinet" and "How to remove the bottom board".)
2. Pull out the pin socket of **E** printed circuit board (driver stage, synchro bias circuit).  
Next, remove the 2 setscrews (㉓, ㉔) in Fig. 5 of the printed circuit board. Then remove the printed circuit board by lifting it upward.
3. Unsolder the 4 power transistors (Q125 ~ Q128).
4. Remove the 4 setscrews (㉕ ~ ㉖) in Fig. 4 which secure the heat sink from the power block chassis bottom.
5. Remove the 4 setscrews (㉗ ~ ㉘) in Fig. 4 which secure the heat sink from the side of the set.
6. Remove the heat sink from the chassis by lifting it upward.
7. Remove the 8 setscrews (㉙ ~ ㉚) in Fig. 5 which secure the heat sink connector.
8. Remove the 2 setscrews (㉛, ㉜) in Fig. 6 to remove the power transistor.
9. When installing the power transistor, apply silicone compound (or equivalent heat diffuser) to the back and the mica plate (heat sink side of the power transistor, and then reverse the procedure 1 ~ 8.

Note: 1. When the temperature compensating transistor (Q113, Q114 - Q119, Q120) are replaced, install the transistors at an angle of 90° as in Fig. 6 (A).

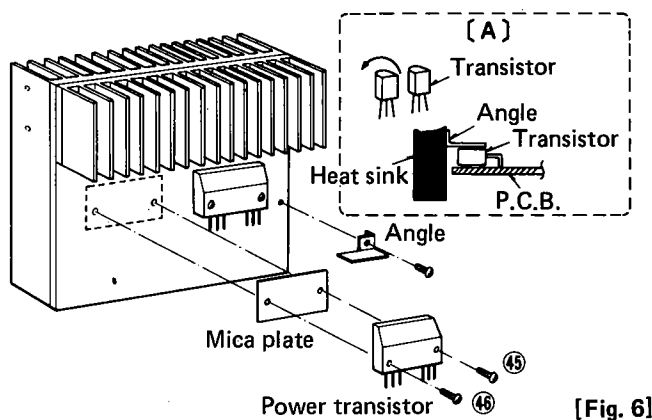
2. When installing the temperature compensating transistor holders, apply silicone compound (or equivalent heat diffuser) to them.



[Fig. 4]



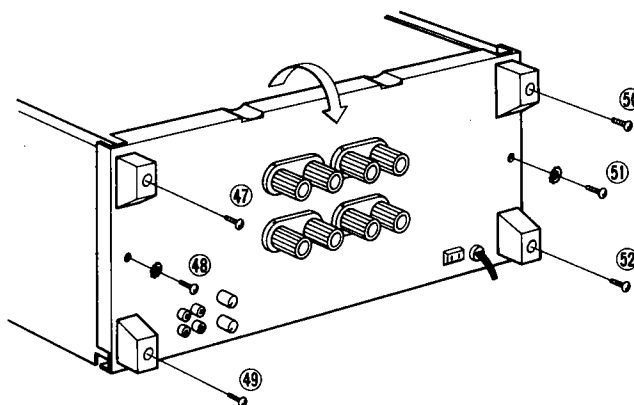
[Fig. 5]



[Fig. 6]

### ● How to remove the speaker protection circuit printed board

1. Remove the cabinet and bottom board. (Refer to "How to remove the cabinet" and "How to remove the bottom board".)
2. Remove the 6 setscrews (47)~(52) in Fig. 7) of the rear panel. Then open the rear panel in the direction of the arrow.
3. Unsolder the speaker terminals. (8 portions)
4. Remove the 4 setscrews of the printed circuit board and then the board can be removed.



[Fig. 7]

### ● Before starting the repairing

Before adjusting or repairing, be sure to short-circuit opposite poles of the 22000 $\mu$ F capacitors (C3, 4) with a resistor approximately of 10 $\Omega$ , 10W" for discharging the charged voltage.

Short-circuiting with a screw driver and the like is not only dangerous, but may destroy transistors and diodes, and should therefore be avoided.

## ADJUSTING INSTRUCTIONS

When adjusting and measuring this set, perform ageing of the set in normal position for about 10 minutes beforehand.

### ● Setting of controls and instruments to be used

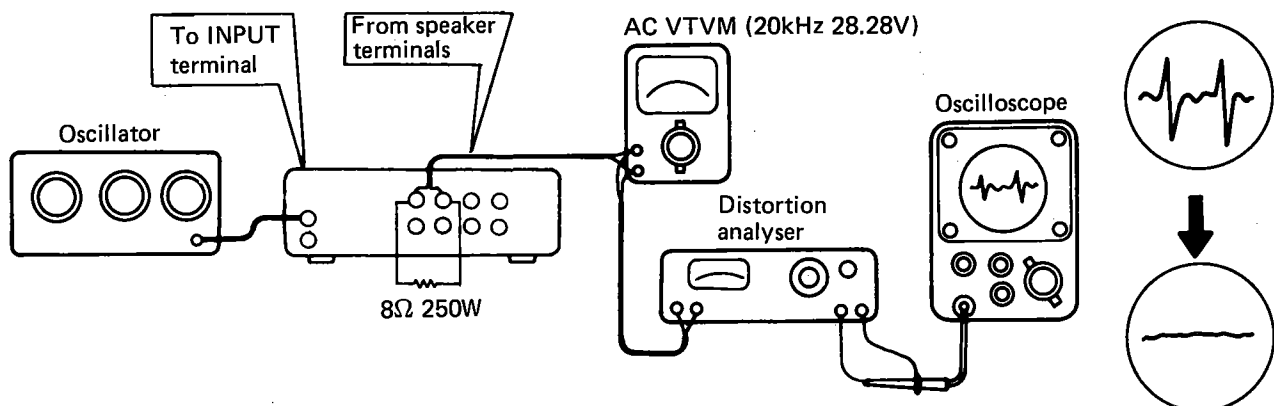
- |   |                            |
|---|----------------------------|
| 1. Speakers on/off switch . . . . . on          | 6. Oscillator              |
| 2. Speaker switch . . . . . main                | 7. Distortion analyser     |
| 3. Input Level volume (rear side) . . . . . MIN | 8. AC electronic voltmeter |
| 4. DC voltmeter (capable to measure 5mV)        | 9. 8-ohm load resistor     |
| 5. Oscilloscope                                 |                            |

### 1. Adjustment of Voltage regulator and DC balance

Adjustments	DC Voltmeter Connections	Adjusting Point	Adjustment Procedure
Voltage regulator	Between <b>TP 5</b> and <b>TP4</b> (minus probe)	VR201	* Turn voltage regulator semi-fixed resistor VR201 to minimum. (counterclockwise direction) * Adjust VR201 so that voltage is 85.5V.
DC balance	Main Speaker terminals (L & R channels)	VR103 (L & R channels)	* Adjust it to 0mV with DC voltmeter set to 30mV range. * Cut off the jumper wire if adjustment is not possible.

### 2. Adjustment of Clamp Voltage and Ica

- 1) Set the clamp voltage semi-fixed resistor VR105 to minimum.
- 2) Apply 20kHz sine wave to INPUT DC terminals.
- 3) Set the input level control volume to MAX.
- 4) Connect the distortion analyser to the speaker terminals and connect the output from the distortion analyser to the vertical input of the oscilloscope.
- 5) Turn the oscillator attenuator so that the output of the speaker terminal is 28.28V.
- 6) Turn the Ica semi-fixed resistor VR104 so that the distorted waveform is minimized.
- 7) Furthermore, turn the clamp voltage semi-fixed resistor VR105 so that the distorted waveform is minimized.



### PROTECTION CIRCUITRY INDICATOR

The indicator lights up when a trouble occurs in this unit.

With the power switch set to "on", the indicator lights up, and it goes out when the unit is in normal operation (about 7 sec. later). If abnormality takes place during operation, the indicator lights up or blinks. In that case, set the power switch to "off" and check the cause according to the following procedure.

#### When the indicator lights up:

##### (Cause)

1. Due to troubles in other equipment (preamp, etc.), direct current is applied to the input, causing the protection circuit to operate.
2. This unit is in trouble, causing the protective circuit to operate.

##### (Check of the cause)

Set the power switch of this unit to "off", shift the input terminal connection on the back side from "DC" to "NOR-MAL", and then set the power switch to "on".

#### 1. Indicator does not light up . . . . .

Equipment (preamp side) other than this unit is abnormal.

#### 2. Indicator lights up . . . . .

This unit is abnormal. Then check the following points.

- 1) Middle point potential detection circuit \_\_\_\_\_ Constant voltage power source circuit (Q201 ~ Q208, D203 ~ D206, F3, F4)  
(\* Refer to "Adjustment" on page 6.) Adjustment of DC balance
- 2) Overcurrent detection circuit \_\_\_\_\_ Temperature compensation circuit (Q113, Q114, Q119, Q120)
- 3) Power ON/OFF detection circuit \_\_\_\_\_ Muting circuit (R309 ~ R311, C304, D301)
- 4) Over-load limit circuit \_\_\_\_\_ Current limiter circuit (Q305, D311)

#### When the indicator blinks:

##### (Cause)

The speaker terminals or the power cord cable (positive and negative) are short-circuited, causing the protection circuit to operate.

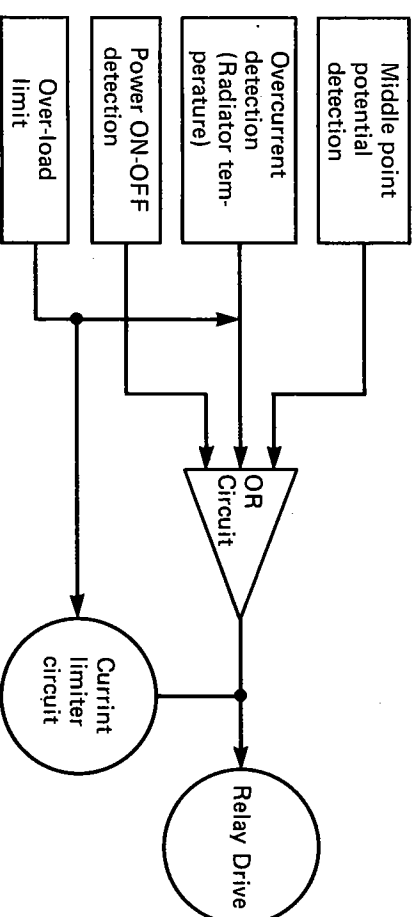
##### (Check of the cause)

Set the power switch of this unit to "off", check the speaker terminal and the cord, and then set the power switch to "on".

1. Indicator does not blink . . . . . Speaker terminal and cord connections are correct and normal.

2. Indicator blinks . . . . . Speaker terminal or cord cable short-circuit trouble is possible. In this case, take proper measures, replacing the cord, etc., and check for trouble again.

#### The block diagram of the protection circuit is shown below

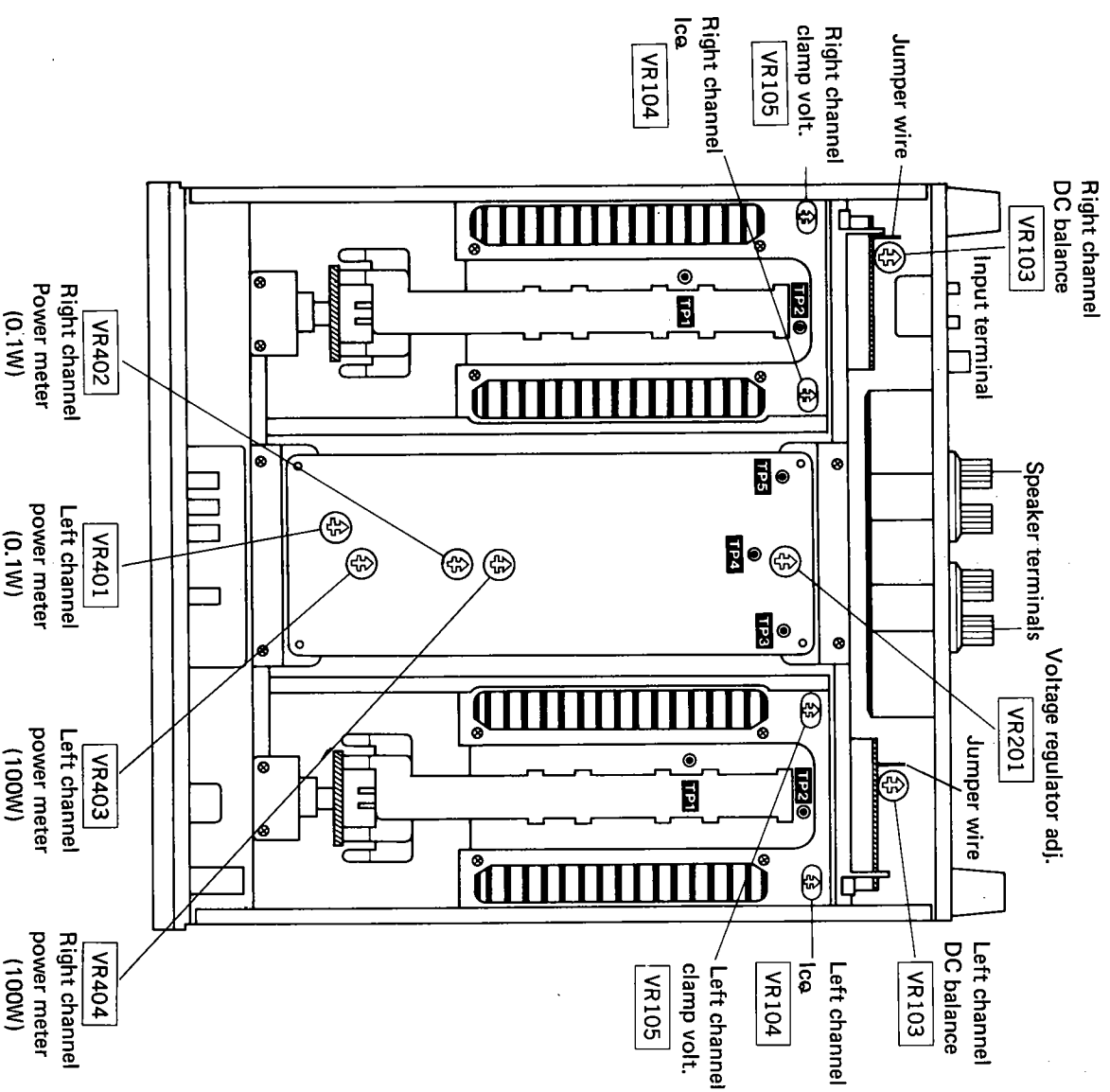


\* If the speaker impedance is too (low less than 4Ω), the limiter circuit operates and power is extremely reduced. (Relay does not operate.)

### 3. Adjustment of Peak power meter

- 1) Connect the oscillator to INPUT DC terminal, and the AC electronic voltmeter to the speaker terminals in parallel with the load resistor.
- 2) Set the input level control volume to MAX.
- 3) Apply 1kHz signal from the oscillator, and turn the attenuator of the oscillator so that the AC electronic voltmeter indicates 0.894V.
- 4) Adjust VR401 (left channel) so that the power meter indicates 0.1W.
- 5) Similarly, make the adjustment of VR402 (right channel).
- 6) Apply 1kHz signal from the oscillator, and turn the attenuator of the oscillator so that the AC electronic voltmeter indicates 28.28V.
- 7) Adjust VR403 (left channel) so that the power meter indicates 100W.
- 8) Similarly, make the adjustment of VR404 (right channel).
- 9) Perform the adjustments, repeating the procedure (3) ~ (8) in order.

### ADJUSTING POINTS

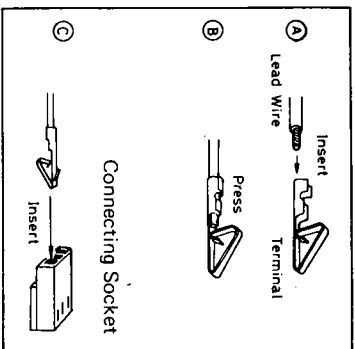




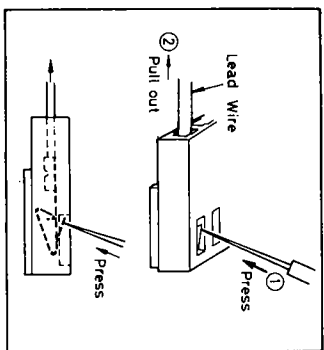
**HOW TO PREPARE LEAD-CONNECTOR SOCKETS**

shown in figure 8 (A), insert the lead wire into the terminal.  
shown in figure 8 (B), press the terminal to the lead wire.  
shown in figure 8 (C), insert into a connector socket.

remove from the socket, hold the terminal with a sharp-point tool such as a needle, as shown in figure 9, and pull out the lead wire at the same time.



[Fig. 8]



[Fig. 9]

**PRECAUTIONS FOR CONNECTIONS**

making connections, be absolutely sure that the power to this unit and all other connected equipment is first off.  
connections are made while the power is on, a large input will be applied to the speaker systems, which might damage so special care should be taken concerning this point.

**REPLACEMENT PARTS LIST... Electric Parts**

1. Part numbers are indicated on most mechanical parts. Please use this part number for parts orders.
2.  $\Delta$  indicates that only parts specified by the manufacturer be used for safety.

Part No.	Part Name & Description	Ref. No.	Part No.	Part Name & Description
<b>TED CIRCUIT</b>				
SV1TA7317P	IC, Speaker Protection Operation Amplifier	Q125 ~ 128 (X2)	OD503A-P	Transistor, Power Amplifier (Use in ranks Q, P or Q)
SV1TA7318P	IC, Logarithm Amplifier	Q130 (X2)	ZSC1885-R	Transistor, Bias Supply & Current Limiter (Use in ranks Q, R or S)
AN6552F	IC, Power Meter Operation Amplifier	Q131 (X2)	ZSA1015-Y	Transistor, Bias Supply & Current Limiter (Use in ranks Y or O)
		Q201	ZSA921-T	Transistor, Voltage Stabilizer (Use in ranks R, S or T)
		Q202	ZSC1980-T	Transistor, Voltage Stabilizer (Use in ranks R, S or T)
		Q203, 307	ZSC1885-R	Transistor, Voltage Stabilizer (Use in ranks R, S or T)
		Q204, 208	ZSA912-R	Transistor, Voltage Stabilizer (Use in ranks Q, R or S)
		Q205	ZSD381A-L9	Transistor, Voltage Stabilizer (Product Part No. ZSD381-K, L or M)
		Q206	ZSB536A-L9	Transistor, Voltage Stabilizer (Product Part No. ZSB536-K, L or M)
		Q209	ZSC1509F-R	Transistor, Voltage Stabilizer (Product Part No. ZSC1509-P, Q or R)
		Q301, 302	ZSA777-Q	Transistor, Relay Driver (Use in ranks Q or R)
		Q303, 304	ZSC1815-Y	Transistor, Relay Driver (Use in ranks Y or O)
		Q305	ZSA921-T	Transistor, Protection Circuit (Use in ranks R, S or T)
<b>DIODES</b>				
		D101 (X2)	MA27A1	Diode, Bias Supply
		105 (X2)	MA27A2	Diode, Bias Supply
		D102, 103, 104		
		106, 107, 122 (X2)	MA162A	Diode, Bias Supply & Current Limiter Circuit
		D108, 109, 114 ~ 117, 123 ~ 124, 130, 311 (X2)		

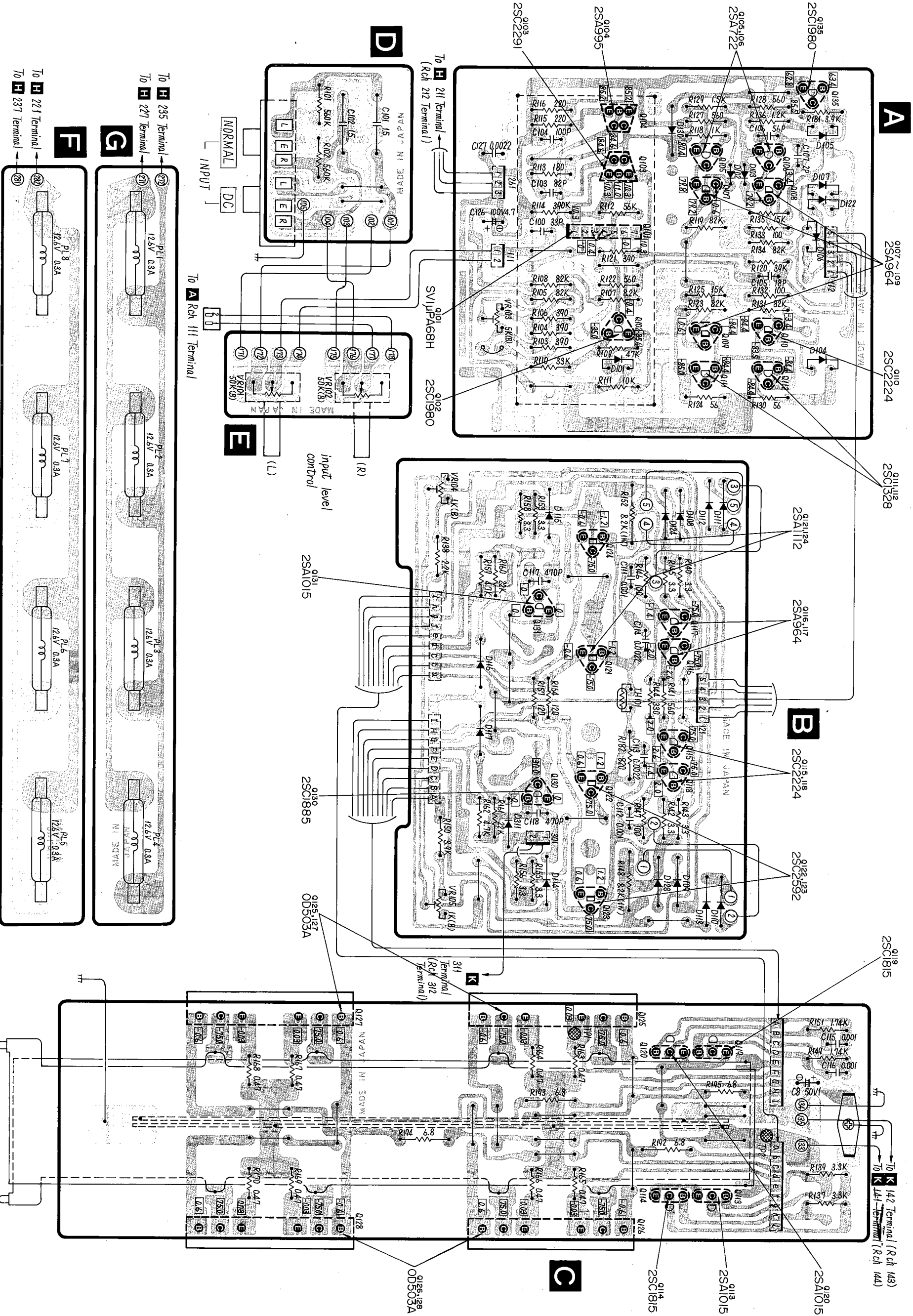
Ref. No.	Part No.	Part Name & Description
D110 ~ 113 (X2)	20A90	Diode, Synchronous Bias Switching
D201 (X2)	SVDS10VB20	Rectifier
D203 ~ 206, 210, 211	SVDSR1K2	Rectifier
D207, 208	MA27A2	Diode
D209	SVDMZ339A	Diode, 33V Zener
D212, 213	SVDMZ310B	Diode, 10V Zener
D215	SVDMZ324A	Diode, 24V Zener
D301, 307	MA162A	Diode, Protection Circuit
D302, 303	SVDSR1K2	Diode, Pulse Cancel
305, 306		
D401 ~ 404	MA162A	Diode, Power Meter Circuit
D405, 406	20A90	Diode, Power Meter Circuit
<b>VARIABLE RESISTORS</b>		
VR101, 102	EVH6UA524B54	Input Level Control, 50K $\Omega$ (B)
VR103 (X2)	EVMH86GA00B53	DC Unbalance Adjustment, 5K $\Omega$ (B)
VR104 (X2)	EVMH86GA00B13	Power Amp. Idling Current Adjustment & Clamp Voltage Adjustment, 1K $\Omega$ (B)
105 (X2)	EVMH96GA00B53	Voltage Control Adjustment, 5K $\Omega$ (B)
VR201	EVMH96GA00B53	Power Meter Adjustment, 3K $\Omega$ (B)
VR401 ~ 404		
<b>THERMISTERS</b>		
TH101 (X2)	ERTD2FHL103S	Thermistor, Thermal Compensation, 10K $\Omega$
401, 402		
<b>RELAYS</b>		
RLV301 ~ 303	SSY47	Relay, Speaker Output
RLV305	SSY31	Relay, Meter Output
RLV501, 502	SSY77	Relay, Protection

Ref. No.	Part No.	Part Name & Description
<b>METER</b>		
	SSM153-N	Meter, Peak Power
<b>COMPONENT COMBINATIONS</b>		
Z201 (X2)	EXRFES203ZS	Component Combination, 0.01 $\mu$ F (X2)
203		
<b>FUSES</b>		
F1, 2	XBAS2A10001	Fuse, 10A (250V)
F3, 4	XBAZFE08NU100	Fuse, 800mA (250V)
F5, 6	XBA1F25NU14	Fuse, 2.5A (125V)
<b>SWITCHES</b>		
S1 ~ S4	SSH429	Switch, Speaker Selection
S5	ESB9939C	Switch, Power Source
<b>LAMPS</b>		
PL1 ~ 8	XAMR43P	Lamp, Peak Power Meter
PL9 ~ 13	XAMR48T250	Lamp, Speaker Indicator
<b>COILS and TRANSFORMER</b>		
L101, 102	SLQV07G-10	Coil, Power Amplifier Output Choke
T1	SLT5541-1	Transformer, Power Source
T2	SLT5541	Transformer, Power Source

PRINTED CIRCUIT BOARD

(A) 1st Differential amplifier circuit, (B) Drive amplifier & synchronous bias circuits, (C) Power amplifier, (D) Input terminals, (E) Input level controls, (F) Drive amplifier & synchronous bias circuits, (G) Peak-power meter lamps

Ground (Earth) circuit



A

B

C

D

G

F

E

11

12

To C Terminal

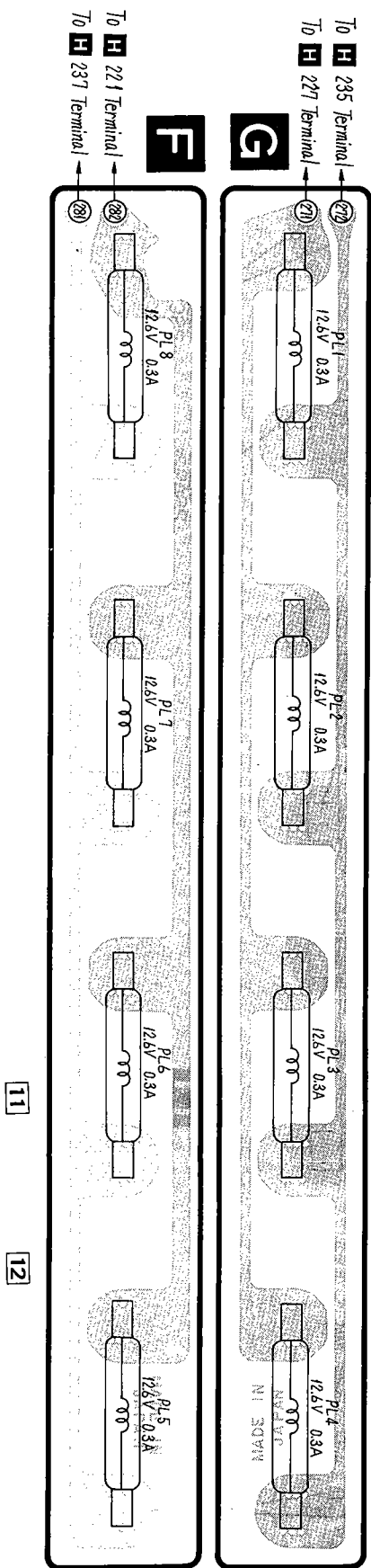
To A Terminal

To A Rch 111 Terminal

To H 21 Terminal (Rch 212 Terminal I)  
SV1JPA68H  
2SC1980

To K 142 Terminal (Rch 143)  
To L 141 Terminal (Rch 144)

311 Terminal (Rch 312 Terminal)



NORMAL INPUT

(R)  
input level control  
(L)

MADE IN JAPAN

MADE IN JAPAN

MADE IN JAPAN

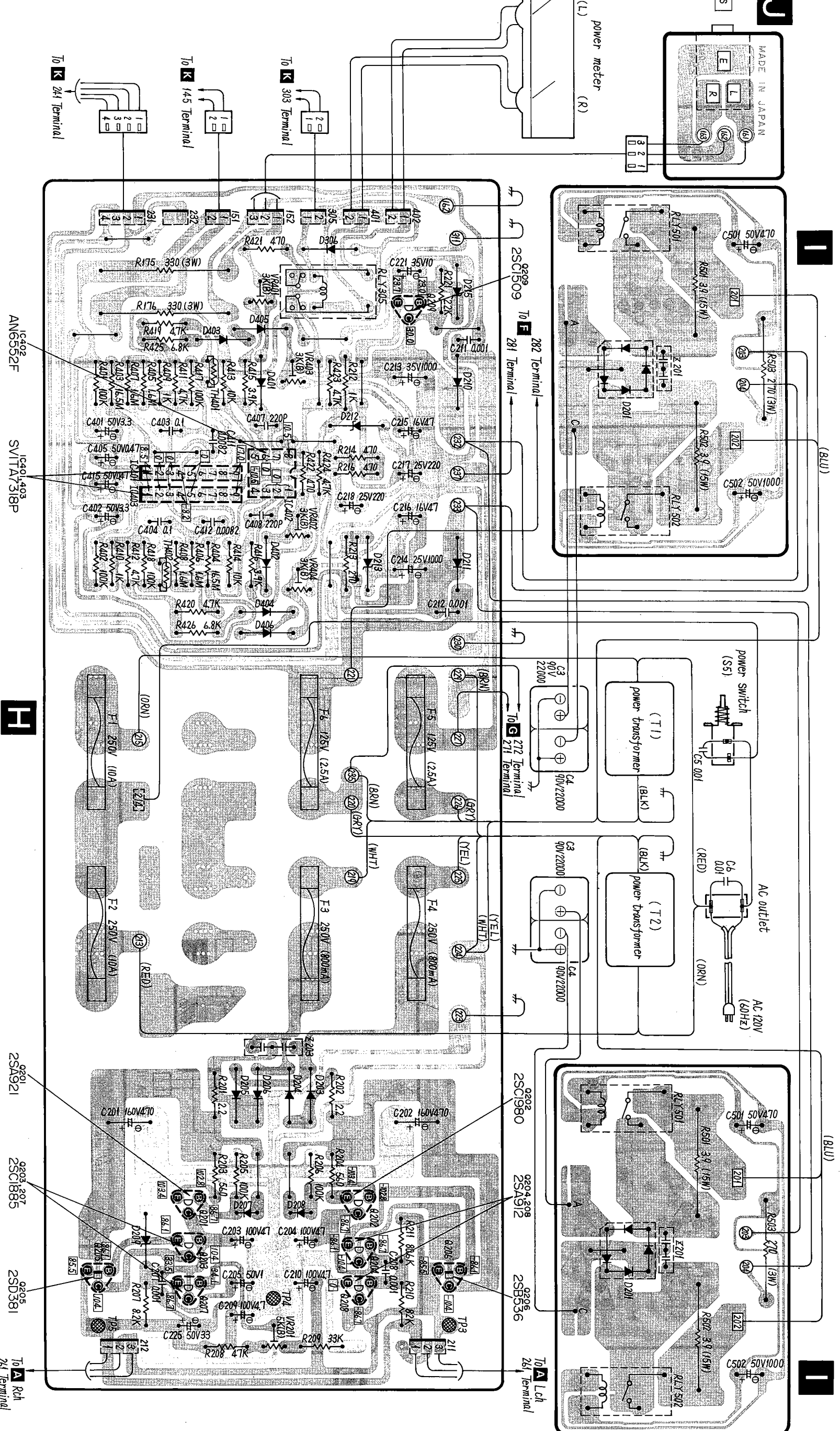
OD503A  
OD503A  
OD503A

# SE-A3K SE-A3K

## PRINTED CIRCUIT BOARD

**I** Power source fuse, Voltage regulator & meter circuits, **II** Power supply, **III** Headphone circuit

Ground (Earth) circuit

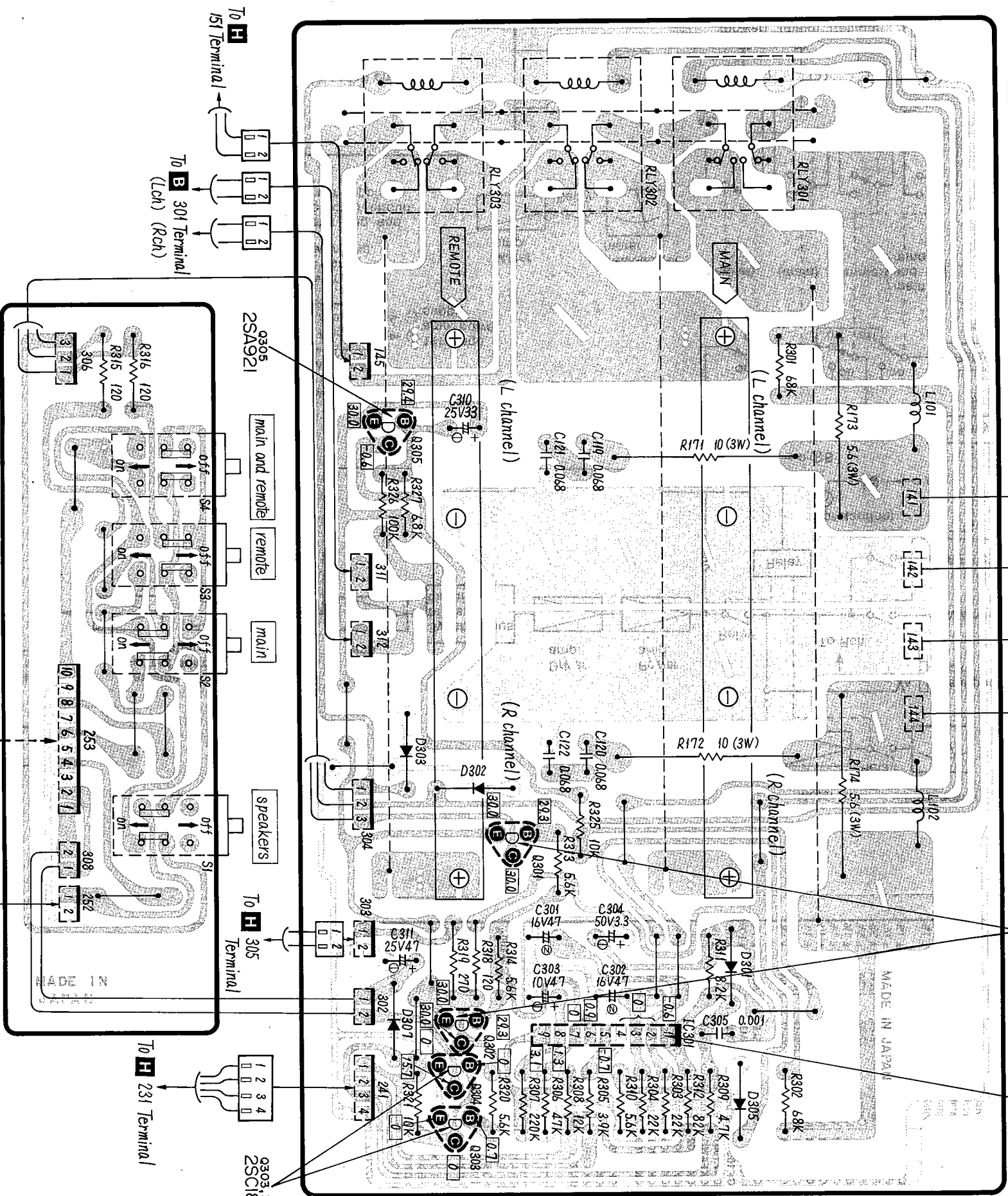


13

14



PRINTED CIRCUIT BOARD (K) Speakers protection, Speaker selection switches & speaker indicators



(L channel)

(R channel)

To C 134 Terminal  
To C 133 Terminal  
To C 134 Terminal  
To C 133 Terminal  
Q301, Q302  
2SA777  
SVTA7317P  
IC301  
SVTA7317P

To H 151 Terminal  
To B 301 Terminal (Lch) (Rch)

Q305  
2SA921

main and remote  
remote  
main

off on

off on

off on

off on

To H 305 Terminal

1 2 3 4

Q303, Q304  
2SC1815

To H 231 Terminal

indicator  
PL12 main and remote  
PL11 remote  
PL10 main  
PL9 power  
PL13 protection  
To H 237 Terminal  
To H 221 Terminal

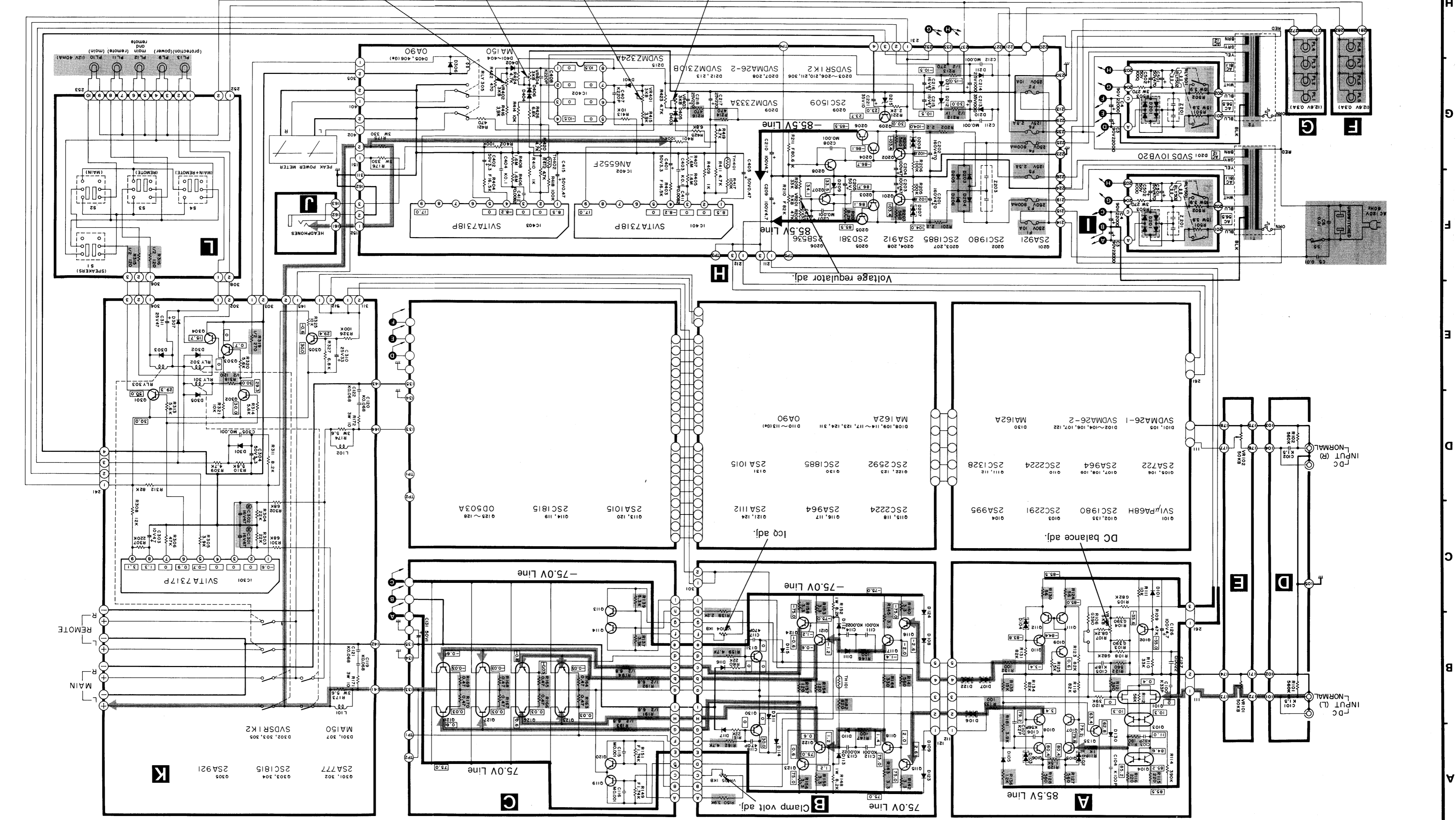
15

16

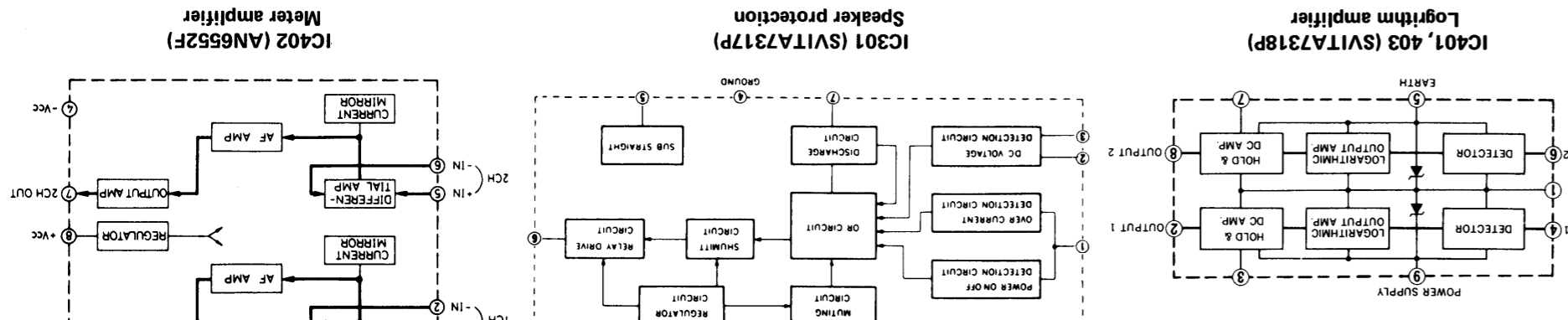
TERMINAL GUIDE OF TRANSISTORS AND IC'S

<p>SVTA7317P SVTA7318P</p>	<p>2SA1112, 2SC2592</p>
<p>AN6552</p>	<p>2SA1722, 2SC1328 2SA777, 2SC1509 2SA912, 2SC1815 2SA921, 2SC1885 2SA1015, 2SC1980</p>
<p>SV1A/PA68H</p>	<p>2SB536, 2SD381</p>
<p>2SA995, 2SC2291</p>	<p>OD503A</p>





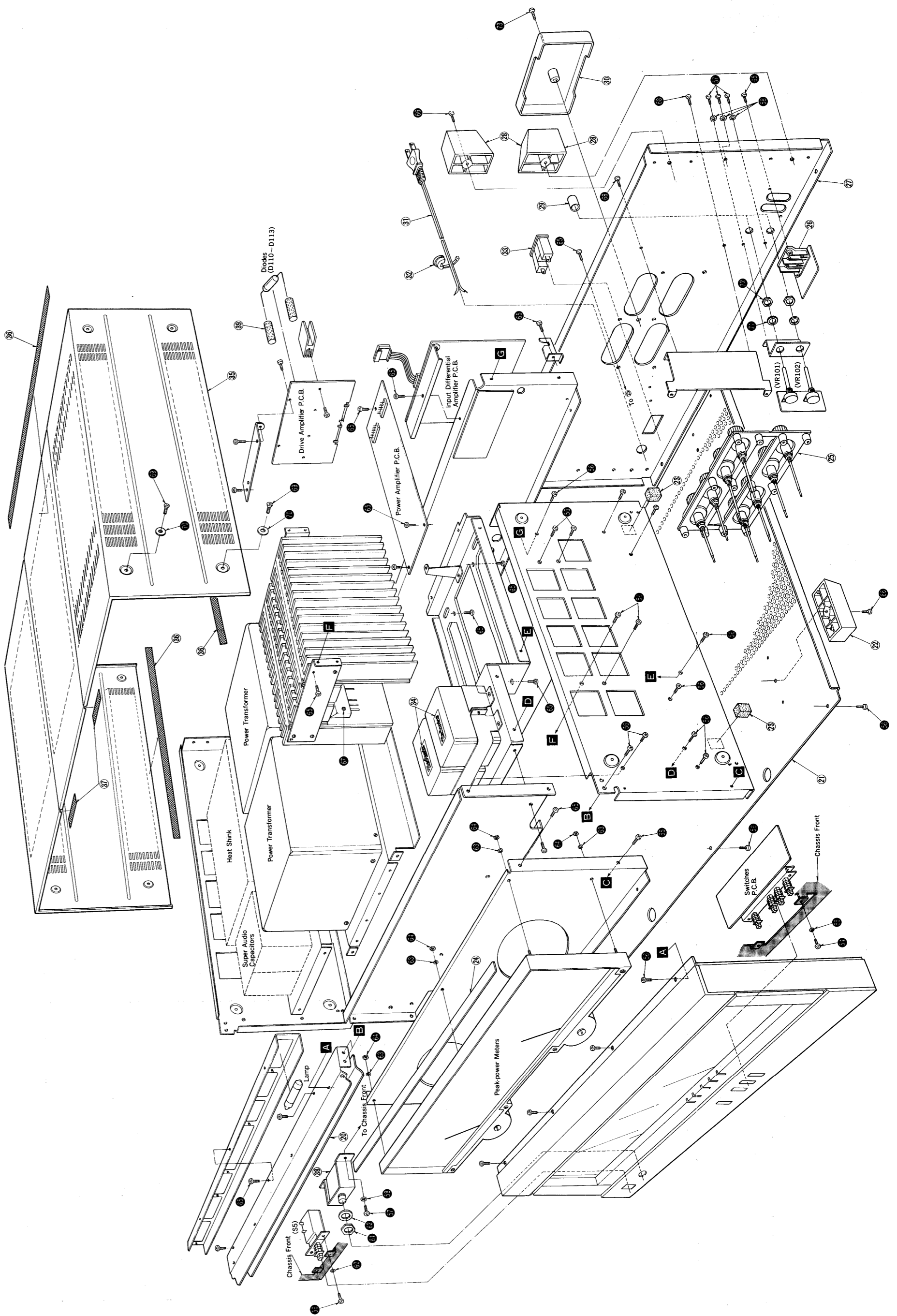
■ BLOCK DIAGRAM OF IC'S



**IMPORTANT SAFETY NOTICE**  
 THE SHADED AREA ON THIS SCHEMATIC DIAGRAM INCORPORATES SPECIAL FEATURES IMPORTANT FOR SAFETY. WHEN SERVICING IT IS ESSENTIAL THAT ONLY MANUFACTURER SPECIFIED PARTS BE USED FOR THE CRITICAL COMPONENTS IN THE SHADED AREAS OF THE SCHEMATIC.

- Notes:**
- 1: Speakers on/off switch in "on" position.
  - 2: Main speaker switch in "on" position.
  - 3: Remote speaker switch in "off" position.
  - 4: Main and Remote speaker switch in "off" position.
  - 5: Power switch in "on" position.
  - 6: Indicated voltage values are the standard values for the DC electronic circuit tester (high impedance) with the chassis taken as standard. Therefore, there may exist some errors in the voltage values, depending of the internal impedance of the DC circuit tester.
  - 7: The left and right channels use the same type of circuit. (schematic diagram A, B and C)
  - 8: Signal lines of left channel.
  - 9: Positive (+B) voltage lines.



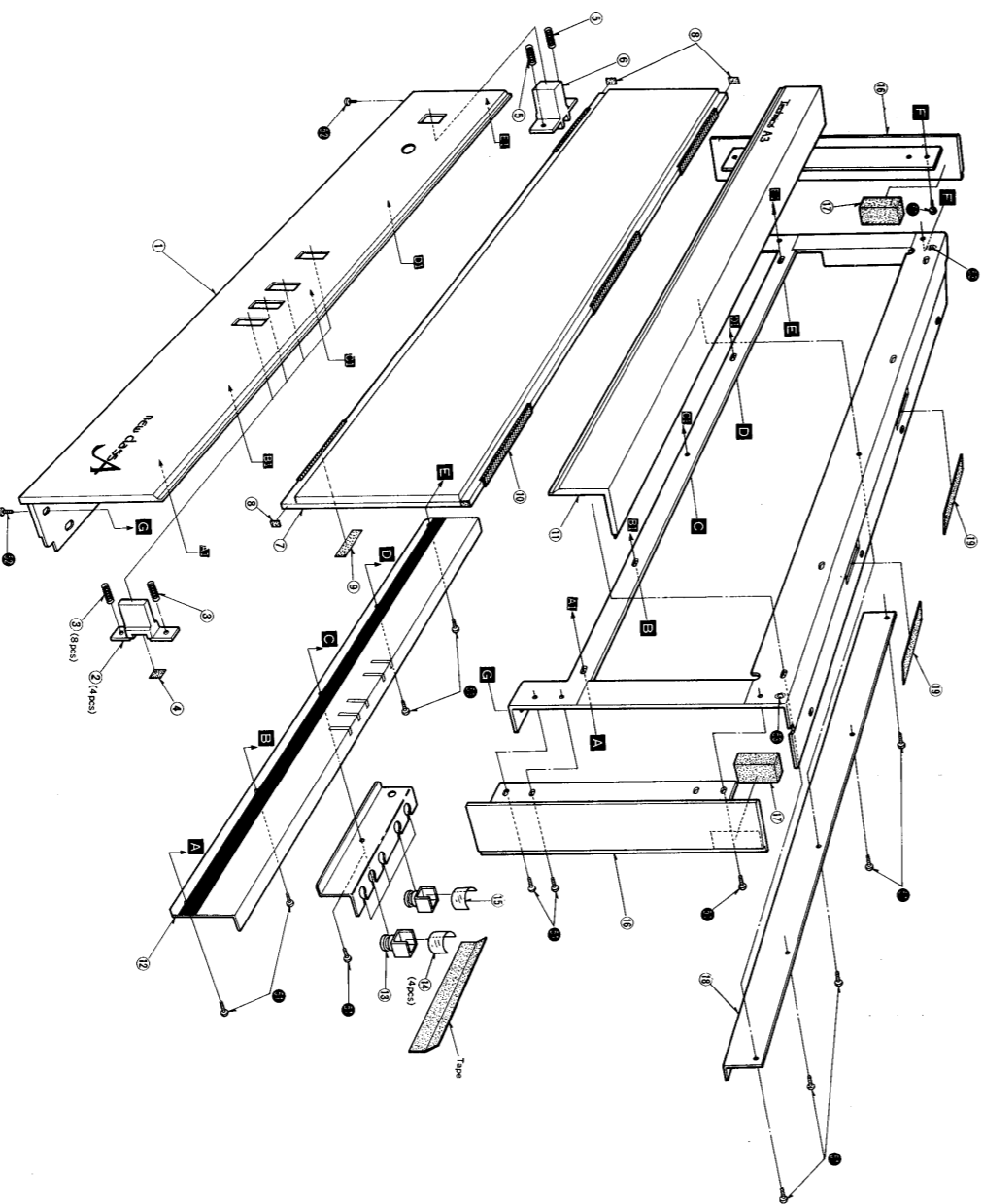


■ EXPLODED VIEWS

SE-A3K SE-A3K

■ EXPLODED VIEWS

• Front Panel



Ref. No.	Part No.	Part Name & Description
<b>SCREWS, NUTS and WASHERS</b>		
①	XTB3-48BFZ	Screw, Tapping, ⌀ 3 x 8 (Front Panel)
②	XTB4-48BFZ	Screw, Tapping, ⌀ 4 x 8 (Front Panel)
③	XWE3-FZ	Washer, Plain, ⌀ 3
④	XWN3-HS	Washer, Spring, ⌀ 3 x 6
⑤	XMA3-HS	Washer, Spring, ⌀ 3 x 6
⑥	XTB3-48BFZ	Screw, Tapping, ⌀ 3 x 8
⑦	XTB3-48BFZ	Screw, Tapping, ⌀ 3 x 8
⑧	XMC3-B	Washer, Toothed Lock, ⌀ 3
⑨	XNA3-HS	Washer, Spring, ⌀ 3 x 6
⑩	XMA3-B	Washer, Spring, ⌀ 3 x 6
⑪	XNS12	Nut, M12 (Headphones Jack)
⑫	XNE59-1	Washer, Spring, ⌀ 3 (Meter)
⑬	XMA3BFZ	Nut, M3
⑭	XTB3-48BFZ	Screw, Tapping, ⌀ 3 x 8
⑮	XTB3-48BFZ	Screw, Tapping, ⌀ 3 x 16
⑯	XTB3-48BFZ	Screw, Tapping, ⌀ 3 x 6
⑰	XSS5-48FZS	Washer (Cabinet)
⑱	SNE4033	Washer, Toothed Lock, ⌀ 8

Ref. No.	Part No.	Part Name & Description
⑳	XNS8	Nut, M8
㉑	XTB4-30BFN	Screw, Tapping, ⌀ 4 x 30
<b>ACCESSORIES</b>		
A1	SJP2237-1	Cord, Stereo Pin-Type Connection
<b>PACKING PARTS</b>		
P1	SPH4279	Polyethylene Bag
P2	SPH4281	Polyethylene Bag
P3	SP2605-1	Pack, Bottom Side
P4	SP2607	Pack, Top Side
P5	SP2789	Pack, Rear Side
P6	SP2259	Carton Box
P7	SDF10569	Instructions Book, Printed Matter
P7 [MC]	SDF10571	Instructions Book, Printed Matter

■ REPLACEMENT PARTS LIST (Cabinet and Chassis Parts)

Notes: 1. Part numbers are indicated on most mechanical parts. Please use this part number for parts orders.  
 2. Δ indicates that only parts specified by the manufacturer be used for safety.  
 3. Bracketed indications in Ref. No. columns specify the area. Parts without these indications can be used for all areas.

\* [M] is available in U.S.A.  
 \* [MC] is available in Canada.

Ref. No.	Part No.	Part Name & Description	Ref. No.	Part No.	Part Name & Description
<b>CABINET and CHASSIS PARTS</b>					
1	SGWEA3N	Panel, Front Asy (Bottom)	20	SPH39	Paper, Reflector Plate
2	SB2219-1	Button, Push Switches (Speaker)	21	SKLU8270	Bottom Board
3	SUS191	Spring, Push Switches (Speaker)	22	SKLU239	Foot, Set Bottom Side
4	SGU145	Panel, Front Asy (Top)	23	SHG1191	Rubber Cushion, Chassis Side
5	SUS195	Spring, Push Switch (Power)	24	SDU51	Terminal, Input
6	SGUC281	Button, Push Switch (Power)	25	SIF3431A	Rear Panel
7	SGU145	Panel, Front Panel	27	SCP27150-1A	Front, Rear Panel Side
8	SHG6123	Rubber, Glass Plate	28	SKL241	Knob, Input Level
9	SHR081	Spacer, Glass Plate	29	SBN613	Cover, Speaker Terminals
10	SHCA971	Rubber Cushion, Glass Plate	30	SJVA705	AC Cord, Power Source
11	SGW23108B	Panel, Front Panel (Top)	31	SJAH109	Bushing, AC Cord
12	SGEEA3N	Ornament, Indicator Board	32	SHH129	Socket, AC Outlet
13	SHG1595	Rubber, Indicator Lamp	33	SJSA466-2	Speaker Terminals
14	SHU039	Indicator, Lamp (Yellow)	34	SKC3308	Fiber, Cabinet
15	SGW23506	Panel, Front Panel (Side)	35	SHS1009	Rubber Cushion, Cabinet
16	SHGA629	Rubber, Front Panel	36	SHG6089	Jack, Headphones
17	SUW1651	Reflector Plate	37	XCA9721B-A	Speaker, Diodes
18	SHSA27-1	Fiber, Front Panel	38	SMA51-3	
19			39		